

**FLUKE®**

# **5220A**

Transconductance Amplifier

## Instruction Manual

## LIMITED WARRANTY AND LIMITATION OF LIABILITY

Each Fluke product is warranted to be free from defects in material and workmanship under normal use and service. The warranty period is one year and begins on the date of shipment. Parts, product repairs, and services are warranted for 90 days. This warranty extends only to the original buyer or end-user customer of a Fluke authorized reseller, and does not apply to fuses, disposable batteries, or to any product which, in Fluke's opinion, has been misused, altered, neglected, contaminated, or damaged by accident or abnormal conditions of operation or handling. Fluke warrants that software will operate substantially in accordance with its functional specifications for 90 days and that it has been properly recorded on non-defective media. Fluke does not warrant that software will be error free or operate without interruption.

Fluke authorized resellers shall extend this warranty on new and unused products to end-user customers only but have no authority to extend a greater or different warranty on behalf of Fluke. Warranty support is available only if product is purchased through a Fluke authorized sales outlet or Buyer has paid the applicable international price. Fluke reserves the right to invoice Buyer for importation costs of repair/replacement parts when product purchased in one country is submitted for repair in another country.

Fluke's warranty obligation is limited, at Fluke's option, to refund of the purchase price, free of charge repair, or replacement of a defective product which is returned to a Fluke authorized service center within the warranty period.

To obtain warranty service, contact your nearest Fluke authorized service center to obtain return authorization information, then send the product to that service center, with a description of the difficulty, postage and insurance prepaid (FOB Destination). Fluke assumes no risk for damage in transit. Following warranty repair, the product will be returned to Buyer, transportation prepaid (FOB Destination). If Fluke determines that failure was caused by neglect, misuse, contamination, alteration, accident, or abnormal condition of operation or handling, including overvoltage failures caused by use outside the product's specified rating, or normal wear and tear of mechanical components, Fluke will provide an estimate of repair costs and obtain authorization before commencing the work. Following repair, the product will be returned to the Buyer transportation prepaid and the Buyer will be billed for the repair and return transportation charges (FOB Shipping Point).

THIS WARRANTY IS BUYER'S SOLE AND EXCLUSIVE REMEDY AND IS IN LIEU OF ALL OTHER WARRANTIES, EXPRESS OR IMPLIED, INCLUDING BUT NOT LIMITED TO ANY IMPLIED WARRANTY OF MERCHANTABILITY OR FITNESS FOR A PARTICULAR PURPOSE. FLUKE SHALL NOT BE LIABLE FOR ANY SPECIAL, INDIRECT, INCIDENTAL, OR CONSEQUENTIAL DAMAGES OR LOSSES, INCLUDING LOSS OF DATA, ARISING FROM ANY CAUSE OR THEORY.

Since some countries or states do not allow limitation of the term of an implied warranty, or exclusion or limitation of incidental or consequential damages, the limitations and exclusions of this warranty may not apply to every buyer. If any provision of this Warranty is held invalid or unenforceable by a court or other decision-maker of competent jurisdiction, such holding will not affect the validity or enforceability of any other provision.

Fluke Corporation  
P.O. Box 9090  
Everett, WA 98206-9090  
U.S.A.

Fluke Europe B.V.  
P.O. Box 1186  
5602 BD Eindhoven  
The Netherlands

# Table of Contents

Section	Title	Page
<b>1</b>	<b>Introduction and Specifications.....</b>	<b>1-1</b>
1-1.	Introduction .....	1-1
1-2.	Specifications .....	1-2
<b>2</b>	<b>Operating Instructions.....</b>	<b>2-1</b>
2-1.	Introduction .....	2-1
2-2.	Shipping Information.....	2-1
2-3.	Input Power .....	2-1
2-4.	Fuse Replacement.....	2-2
2-5.	AC Line Fuse .....	2-2
2-6.	Power Supply Fuses .....	2-2
2-7.	Rack Installation.....	2-2
2-8.	Operating Features.....	2-2
2-9.	Operating Notes.....	2-5
2-10.	AC Line Connection .....	2-5
2-11.	Transconductance Amplifier .....	2-5
2-12.	Input Voltage Requirements .....	2-5
2-13.	Input Voltage Selection, Front/Rear .....	2-6
2-14.	Current Output, Front/Rear .....	2-6
2-15.	Standby/Operate.....	2-6
2-16.	Local/Remote .....	2-6
2-17.	Status Indicators .....	2-6
2-18.	Audible Output.....	2-7
2-19.	Inductive Loads.....	2-7
2-20.	Operation .....	2-9
<b>3</b>	<b>Theory of Operation.....</b>	<b>3-1</b>
3-1.	Introduction .....	3-1
3-2.	Overall Functional Description .....	3-1
3-3.	General .....	3-1
3-4.	Analog Section.....	3-1
3-5.	Digital Section.....	3-4
3-6.	Circuit Analysis .....	3-4
3-7.	Power Supply .....	3-4

3-8.	Preamplifier.....	3-6
3-9.	A6 Driver .....	3-7
3-10.	A7 Output.....	3-9
3-11.	A8 Analog Control.....	3-10
3-12.	A9 Front Panel .....	3-11
3-13.	A10 Logic .....	3-11
3-14.	Reset Logic .....	3-11
3-15.	Timing Logic .....	3-13
3-16.	Standby/Operate Logic .....	3-14
3-17.	Local/Remote Logic .....	3-15
3-18.	Front/Rear Input Logic .....	3-15
3-19.	Failure Status Logic.....	3-16
3-20.	A11 MIS Bus Interface .....	3-16

**4 Maintenance ..... 4-1**

4-1.	Introduction .....	4-1
4-2.	Service Information .....	4-2
4-3.	General Maintenance.....	4-2
4-4.	Cleaning .....	4-2
4-5.	Air Filter Maintenance .....	4-2
4-6.	Access Information .....	4-2
4-7.	Internal Components/Assemblies .....	4-4
4-8.	Front Panel Removal .....	4-4
4-9.	A9 Front Panel PCB Removal .....	4-4
4-10.	A2 Transformer Assembly Removal .....	4-4
4-11.	A6 Driver and A7 Output Assembly Removal .....	4-5
4-12.	A3 Cap Bus Removal .....	4-5
4-13.	A12 Shunt Assembly Removal.....	4-5
4-14.	Fuse Replacement .....	4-6
4-15.	Ac Line Fuse.....	4-6
4-16.	Power Supply Fuses.....	4-6
4-17.	Line Voltage Selection.....	4-6
4-18.	Output Terminal Selection, Front/Rear.....	4-7
4-19.	Service Tools.....	4-8
4-20.	Performance Test.....	4-8
4-21.	Initial Conditions.....	4-8
4-22.	Front Panel Tests.....	4-9
4-23.	Zero Output .....	4-9
4-24.	DC Accuracy and Line Regulation .....	4-10
4-25.	Harmonic Distortion.....	4-10
4-26.	Frequency Response.....	4-11
4-27.	Overcurrent Trip Test.....	4-11
4-28.	Overvoltage Trip Test .....	4-12
4-29.	Calibration Adjustments.....	4-12
4-30.	Initial Conditions.....	4-13
4-31.	Input Offset Adjustment.....	4-13
4-32.	Driver Offset Adjustment.....	4-13
4-33.	Output Bias Adjustment.....	4-14
4-34.	DC Accuracy Adjustment .....	4-14
4-35.	Frequency Response.....	4-14
4-36.	Overcurrent Adjustment.....	4-15
4-37.	Overvoltage Adjustment .....	4-15
4-38.	Replacement of Selected Components .....	4-15
4-39.	Resistors R11 and R12.....	4-16

	4-40. Resistor R13 .....	4-17
	4-41. Troubleshooting.....	4-18
<b>5</b>	<b>List of Replaceable Parts.....</b>	<b>5-1</b>
	5-1. Introduction .....	5-1
	5-2. How to Obtain Parts .....	5-1
	5-3. Manual Status Information .....	5-2
	5-4. Newer Instruments.....	5-2
	5-5. Service Centers.....	5-2
<b>6</b>	<b>Option and Accessory Information.....</b>	<b>6-1</b>
	6-1. Introduction .....	6-1
	6-2. Accessories.....	6-1
	6-3. Rack Mounting Kit (M08-205-600).....	6-1
	6-4. Rack Slide Kit (M00-280-610) .....	6-3
	6-5. Precision Y5020A Current Shunt.....	6-3
<b>7</b>	<b>Schematic Diagrams.....</b>	<b>7-1</b>



# List of Tables

Table	Title	Page
1-1.	Accessories .....	1-2
1-2.	Specifications.....	1-2
2-1.	Controls, Indicators, and Connectors.....	2-4
3-1.	Effect of Reset Command on A10 Logic and A9 Front Panel.....	3-13
4-1.	Required Test Equipment .....	4-1
4-2.	DC Accuracy Test.....	4-10
4-3.	Frequency Response Test .....	4-11
4-4.	Replacement Resistors for R11 and R12 .....	4-17
4-5.	Replacement Resistors for R13.....	4-18
4-6.	Mainframe and Digital Section Troubleshooting Guide.....	4-21
4-7.	Analog Section Troubleshooting Guide.....	4-25
5-1.	5220A Final Assembly .....	5-4
5-2.	A1 Motherboard PCB Assembly .....	5-17
5-3.	A2 Power Transformer Assembly .....	5-18
5-4.	A3 Capacitor Bus PCB Assembly .....	5-19
5-5.	A4 Regulator PCB Assembly .....	5-21
5-6.	A5 Preamplifier PCB Assembly .....	5-23
5-7.	A6 Driver PCB Assembly.....	5-26
5-8.	A7 Output PCB Assembly.....	5-28
5-9.	A8 Analog Control PCB Assembly .....	5-31
5-10.	A9 Front Panel PCB Assembly.....	5-33
5-11.	A10 Logic PCB Assembly.....	5-34
5-12.	A11 MIS Bus Interface PCB Assembly.....	5-36
5-13.	A12 Shunt Assembly .....	5-38
5-14.	A13 Output Termination PCB Assembly .....	5-40
5-15.	A14 Extender PCB Assembly.....	5-41



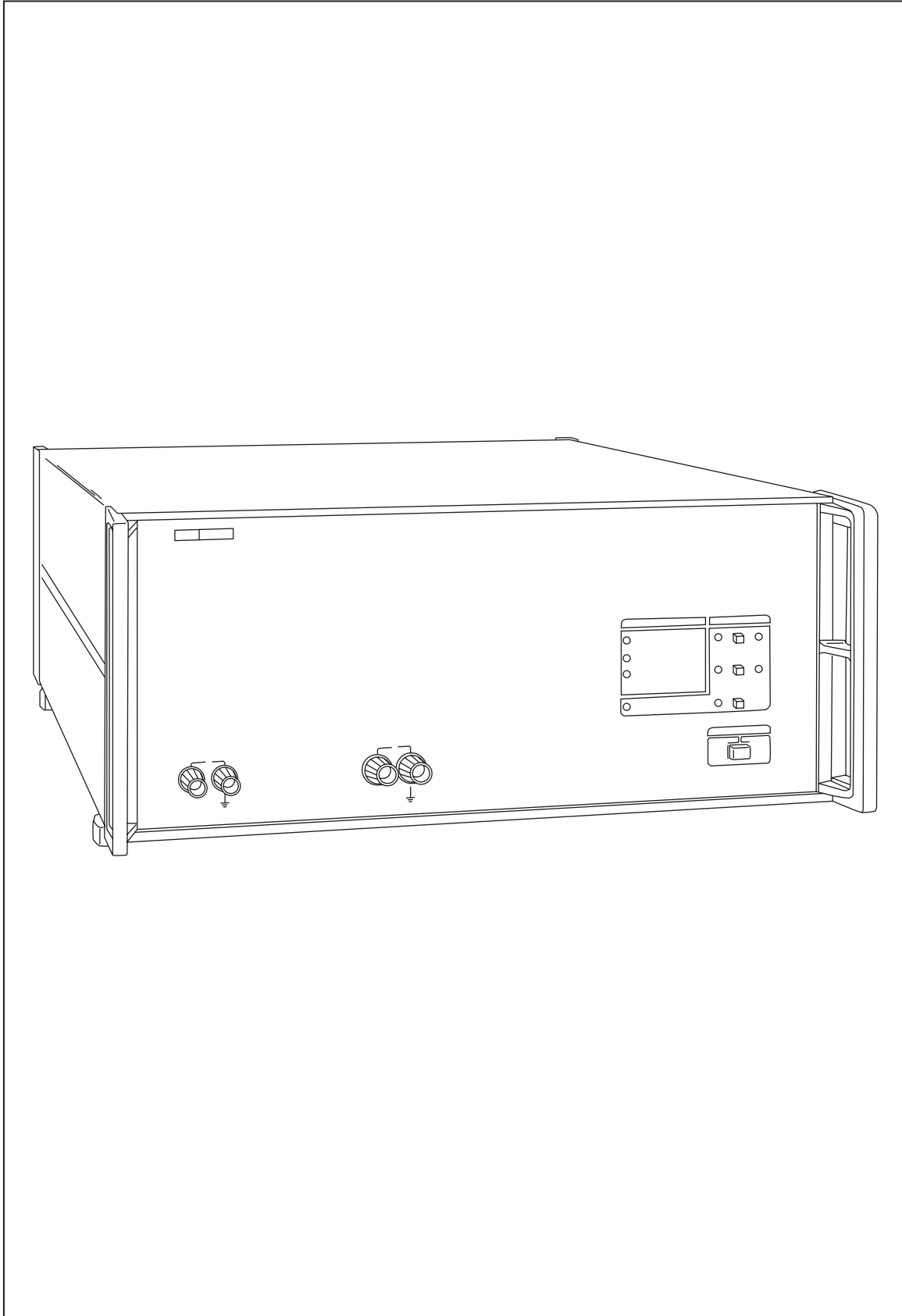


# List of Figures

Figure	Title	Page
	5220A Transconductance Amplifier.....	x
1-1.	Outline Drawings.....	1-5
2-1.	Controls, Indicators, and Connectors.....	2-3
2-2.	Maximum Load Inductance vs Frequency.....	2-8
2-3.	Typical Transconductance Error for Inductive Loads .....	2-9
3-1.	5520A Functional Block Diagram .....	3-2
3-2.	Transconductance Amplifier Simplified Circuit Diagram.....	3-3
3-3.	Power Supply Functional Block Diagram .....	3-5
3-4.	A5 Preamplifier Functional Block Diagram .....	3-6
3-5.	A6 Driver Functional Block Diagram.....	3-8
3-6.	A7 Output Functional Block Diagram.....	3-9
3-7.	A8 Analog Control Simplified Block Diagram .....	3-10
3-8.	A10 Logic Simplified Block Diagram.....	3-12
3-9.	Timing Sequence .....	3-14
3-10.	A11 MIS Bus Interface .....	3-18
4-1.	Internal Component/Assembly Locations.....	4-3
4-2.	Line Voltage Selection.....	4-7
4-3.	Test Point Location/Identification .....	4-19
4-4.	Flowchart Summary of Mainframe and Digital Section Troubleshooting Guide..	4-20
4-5.	Flowchart Summary of Analog Section Troubleshooting Guide.....	4-24
5-1.	5220A Final Assembly .....	5-8
5-2.	A1 Motherboard PCB Assembly .....	5-17
5-3.	A2 Power Transformer Assembly .....	5-18
5-4.	A3 Capacitor Bus PCB Assembly .....	5-20
5-5.	A4 Regulator PCB Assembly .....	5-22
5-6.	A5 Preamplifier PCB Assembly .....	5-25
5-7.	A6 Driver PCB Assembly.....	5-27
5-8.	A7 Output PCB Assembly .....	5-29
5-9.	A8 Analog Control PCB Assembly .....	5-32
5-10.	A9 Front Panel PCB Assembly.....	5-33
5-11.	A10 Logic PCB Assembly.....	5-35
5-12.	A11 MIS Bus PCB Assembly.....	5-37
5-13.	A12 Shunt Assembly .....	5-39
5-14.	A13 Output Termination PCB .....	5-40
5-15.	A14 Extender PCB Assembly.....	5-41

6-1.	Rack Mounting Kit .....	6-2
6-2.	Rack Slide Kit.....	6-4
7-1.	Interconnect Diagram.....	7-2
7-2.	Chassis Wiring.....	7-4
7-3.	Power Supply .....	7-6
7-4.	A5 Preamplifier PCB Assembly .....	7-8
7-5.	A6 Driver and A7 Output PCB Assemblies .....	7-10
7-6.	A8 Analog Control PCB Assembly .....	7-12
7-7.	A9 Front Panel PCB Assembly.....	7-14
7-8.	A10 Logic PCB Assembly.....	7-16
7-9.	A11 MIS Bus Interface PCB Assembly.....	7-18





**5220A Transconductance Amplifier**

ajs36f.eps

# **Section 1**

## **Introduction and Specifications**

### **1-1. Introduction**

The Model 5220A is a transconductance amplifier designed to operate as either a stand alone unit or an extension of the Fluke Model 5100 Series Calibrator. Functionally, the instrument operates as a precision ac/dc current source for calibrating current shunts and/or current meters. As the name (transconductance amplifier) implies, the output current level is a function of an input control voltage. The input/output ratio is established at 1:1 so that a voltage input in the range of -20 to +20 volts will produce a proportional current output of -20 to +20 amperes. Input voltages may be either dc or ac levels, depending on the output requirements. Bandwidth for ac operation is dc to 5 kHz.

Control of the 5220A can be handled locally using front panel controls or remotely by way of the 5100 Series Calibrator. (The 5100 must be equipped with a Model Y5000 Interface.) Control mode selection is accomplished using two front-panel push button switches, INPUT and LOCAL. The INPUT switch allows selection of either front or rear control-voltage input connections. The LOCAL switch is used to recall the 5220A from remote to local operation.

A series of front panel indicators are used to visually display both the control and operating status of the 5220A. Control indicators include OPER (operate), STDBY (standby), FRONT input, REAR input, REMOTE, and LOCAL LOCKOUT. The combination of lit LEDs indicates the present status of the control mode. Status indicators include THERMAL CUT-OFF, OVER COMPLIANCE, and OVER CURRENT. When any one of these indicators is lit, an overload condition has been detected causing the 5220A to switch to standby operation. All indicators are active regardless of the selected control mode, local or remote.

Current output connections are provided on both the front and rear panels. However, only one set of terminals is active. Selection of the desired set is accomplished internally and is, therefore, not considered an operator function. Neither local nor remote operation is affected by the selection of front or rear output.

Forced-air circulation is incorporated in the 5220A to ensure adequate cooling of the current output stage. Air is pulled in through a rear-panel filter, passed over the output stage heat sink, and exhausted through the unit's side panels.

The 5220A is designed to operate from ac line voltages within the range of 90 V ac to 264 V ac, 50 to 60 Hz. One-of-eight specific voltages (100, 110, 115, 120, 200, 220, 230, 240 V ac +10 %) can be selected to ensure compatibility with the local line voltage. The

selection switches are inside the 5220A. Refer to Section 4 of this manual for information on how to properly set the line power switches.

Accessories available for use with the 5220A are listed and described in Table 1-1. The rack mounting kits are designed for use with a standard 19-inch equipment rack. The Model Y5020A is a precision current shunt recommended for use in calibrating the 5220A. Specify both model number and description when ordering accessories.

**Table 1-1. Accessories**

Model No.	Description
M07-205-600	Rack Mounting Kit
M00-260-610	Rack Slide Kit, 18 in
M00-280-610	Rack Slide Kit, 24 in
Y5020	Precision Shunt

## 1-2. Specifications

Specifications for the Model 5220A are given in Table 1-2.

**Table 1-2. Specifications**

<b>Calibration Cycle</b>	All specifications are valid for a 180-day period at an operating temperature of 20 °C to 30 °C and a relative humidity of 70 % or less.
<b>Basic</b>	
<b>Transconductance</b>	1 Siemen (1 ampere per volt)
<b>Output Range</b>	0 A to 20 A dc or rms ac (28.3 A peak)
<b>Compliance Voltage</b>	$\geq \pm 4$ V dc or 3 V rms ac (4.25 V peak)
<b>DC Accuracy</b>	$\pm(0.025$ % of output + 1 mA)
<b>AC Accuracy</b>	$\pm(0.05$ % of output + 1 mA) from 30 Hz to 1 kHz, and $\pm(0.05$ % of output + 1 mA) x f from 1 kHz to 5 kHz, where f = frequency in kHz.
<b>Short Term DC Stability</b>	Output changes less than $\pm(0.005$ % + 200 $\mu$ A) in 10 minutes, with constant line, load, and temperature.
<b>Short Term AC Stability</b>	Output changes less than $\pm(0.01$ % + 500 $\mu$ A) in 10 minutes, with constant line, load, and temperature.
<b>Harmonic Distortion and Noise</b>	$\pm(0.05$ % of output $\pm 1$ mA rms) over frequency range of 30 Hz to 1 kHz and measured with a noise bandwidth of 300 kHz, $\pm(0.05$ % of output + 1 mA) x f from 1 kHz to 5 kHz, where f = frequency in kHz.
<b>Temperature Coefficient</b>	$\pm(0.0025$ % of output + 100 $\mu$ A) per degree C above 30 °C or below 20 °C.
<b>Transient Recovery</b>	Output will settle to within 0.01 % of final value within 2 seconds following a programmed change in output current or frequency (10 ms for 5220A alone).

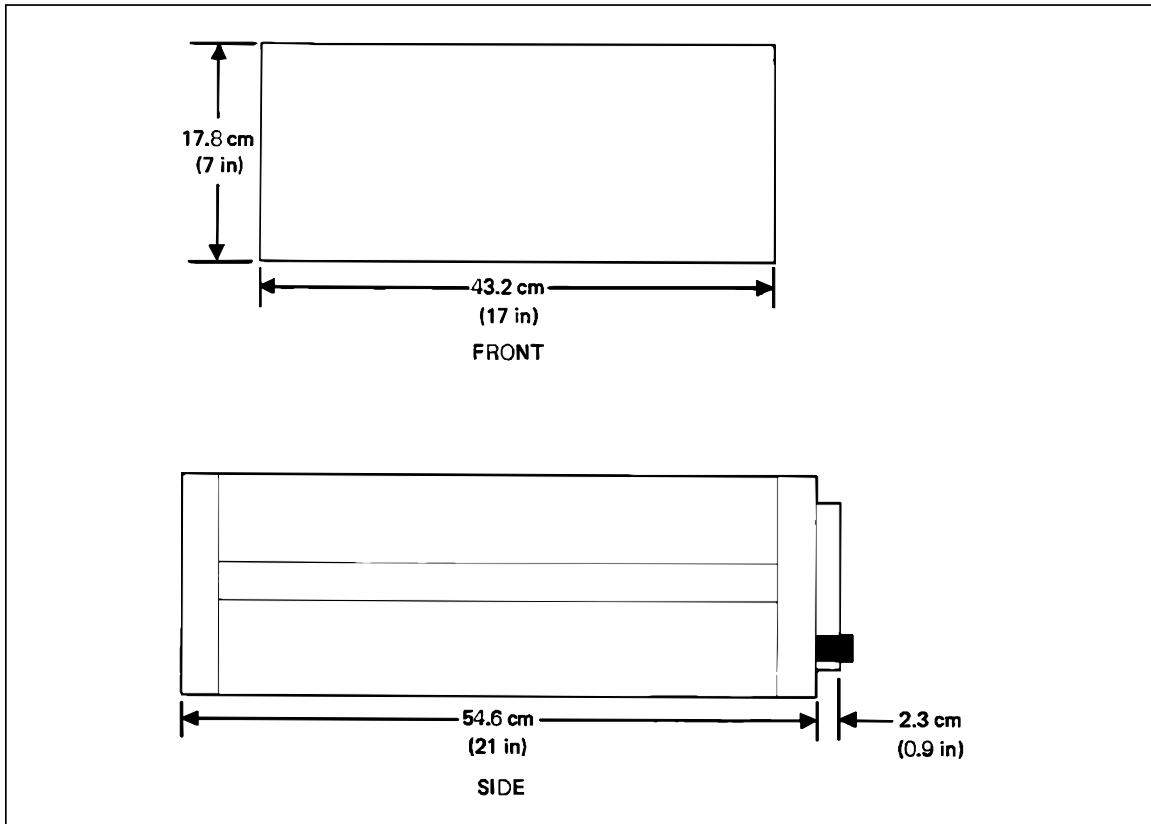
**Table 1-2. Specifications (cont.)**

<b>Electromagnetic Compatibility</b>	This instrument is designed to operate in Standard Laboratory environments where in electromagnetic environment is highly controlled. If used in areas with RF fields >0.4 V/m there could be errors in measurement.
<b>DC Mode (including 5100 Series B)</b>	
<b>Output Range</b>	$\pm 1$ to $\pm 19.9999$ A
<b>Accuracy of Output</b>	$\pm(0.025\%$ of selected output + 1 mA)
<b>Resolution</b>	$\pm 0.1$ mA
<b>Temperature Coefficient</b>	$\pm(0.003\%$ of selected output + 100 $\mu$ A) / $^{\circ}$ C, above 30 $^{\circ}$ C and below 20 $^{\circ}$ C
<b>Line Regulation</b>	Output changes less than 0.001 % for a $\pm 10\%$ change in line voltage.
<b>Load Regulation</b>	Output changes less than $\pm(0.005\% + 0.3$ mA) for a full load changes of 4 V of compliance.
<b>AC Mode (including 5100 Series B)</b>	
<b>Output Range</b>	1 A rms to 19.9999 A rms
<b>Accuracy of Output</b>	$\pm(0.07\%$ of selected output + 1 mA rms) from 50 Hz to 1 kHz, and $\pm(0.07\%$ of selected output + 1 mA rms) $\times f$ from 1 kHz to 5 kHz, where f = frequency in kHz.
<b>Resolution</b>	$\pm 0.1$ mA rms
<b>Temperature Coefficient</b>	$\pm(0.003\%$ of selected output + 100 $\mu$ A rms) per $^{\circ}$ C, above 30 $^{\circ}$ C and below 20 $^{\circ}$ C.
<b>Short Term Stability</b>	Output changes less than $\pm(0.02\% + 500$ $\mu$ A rms) in 10 minutes, with constant line, load, and temperature.
<b>Harmonic Distortion and Noise</b>	$\pm(0.07\%$ of output + 1 mA rms) over frequency range of 30 Hz to 1 kHz a noise bandwidth of 300 kHz, $\pm(0.07\%$ of output + 1 mA) $\times f$ from 1 kHz to 5 kHz, where f = frequency in Hz.
<b>Line Regulation</b>	Output changes less than 0.005 % for $\pm 10\%$ changes in line voltage.
<b>Load Regulation</b>	For frequencies less than 1 kHz: $\pm(0.005\%$ lout + 150 $\mu$ A) per volt of output compliance voltage.  For frequencies greater than 1 kHz: $\pm(0.005\%$ lout + 150 $\mu$ A) $\times f$ per volt of output compliance voltage, where f = frequency in kHz.

Table 1-2. Specifications (cont.)

<b>General</b>	
<b>Load Capability</b>	Drives all resistive and capacitive loads consistent with current and compliance voltage capability. For inductive loads greater than 1 $\mu$ H and less than maximum inductive loads, output current is limited to 16 A rms (22.6 A peak)
<b>Maximum Isolation Voltage</b>	$\pm$ 20 V dc or 20 V ac rms
<b>Temperature Range</b>	Operating: 0 °C to 50 °C Storage: +20 °C to 56 °C
<b>Relative Humidity</b>	50 % to 50 °C, 75 % to 40 °C, 95 % to 25 °C
<b>Altitude</b>	Operating: 0 ft to 10,000 ft Non-operating: 0 ft to 40,000 ft
<b>Vibration</b>	2 g maximum, 5 Hz to 55 Hz for 15 minutes
<b>Shock</b>	15 g maximum, half sinewave
<b>Power Requirements</b>	100, 110, 115, 120, 200, 220, 230, or 240 V ac $\pm$ 10 %, switch-selectable, 50 Hz to 60 Hz, 300 W
<b>Weight</b>	27 kg (50 lb)
<b>Dimensions</b>	17.8 cm H x 43.2 cm W x 55.9 cm D (7 in H x 17 in W x 22 in D), case only (See Figure 1-1).
<b>Protection Safety Class 1</b>	Relates solely to insulation or grounding properties as defined in IEC 348.





ajs01f.wmf

Figure1-1. Outline Drawings



## **Section 2**

# **Operating Instructions**

### **2-1. Introduction**

This section of the manual contains information concerning the installation and operation of the Model 5220A transconductance Amplifier. It is recommended that the contents of this section be read and understood before any attempt is made to operate the unit. Should any difficulties arise during operation, contact your nearest John Fluke Sales representative, or the John Fluke Mfg. Co., Inc., P.O. Box C9090, Everett, WA 98206; telephone (206) 347-6100.

### **2-2. Shipping Information**

The 5220A is packaged and shipped in a foam-packed container. Upon receipt of the instrument, a thorough inspection should be made to reveal any possible shipping damage. Special instructions for inspection and claims are included on the shipping carton.

If reshipment of the instrument is necessary, the original container should be used. If the original container is not available, a new container can be obtained from the John Fluke Mfg. Co., Inc. Please reference the instrument's model number when requesting a new shipping container.

### **2-3. Input Power**

The 5220A can be operated from any one of the following 50 to 60 Hz ( $\pm 1\%$ ) line voltages: 100, 110, 115, 120, 200, 220, 230, or 240 V ac ( $\pm 10\%$ ). A rear panel decal specifies the voltage selected prior to shipment. If a change in voltage is required, refer to Section 4 of this manual for the selection procedure.

## **2-4. Fuse Replacement**

### **2-5. AC Line Fuse**

The ac line fuse is accessible by way of a rear-panel fuse holder located to the left of the input power connector. If fuse replacement is required, disconnect the 5220A from line power and remove the fuse cap and fuse (twist the fuse cap ccw using a screw driver). Select and install a replacement fuse whose rating is compatible with the local line voltage.

1. 100 to 120 V ac use fuse type MDA 3 A
2. 200 to 240 V ac use fuse type MDX 1.5 A

### **2-6. Power Supply Fuses**

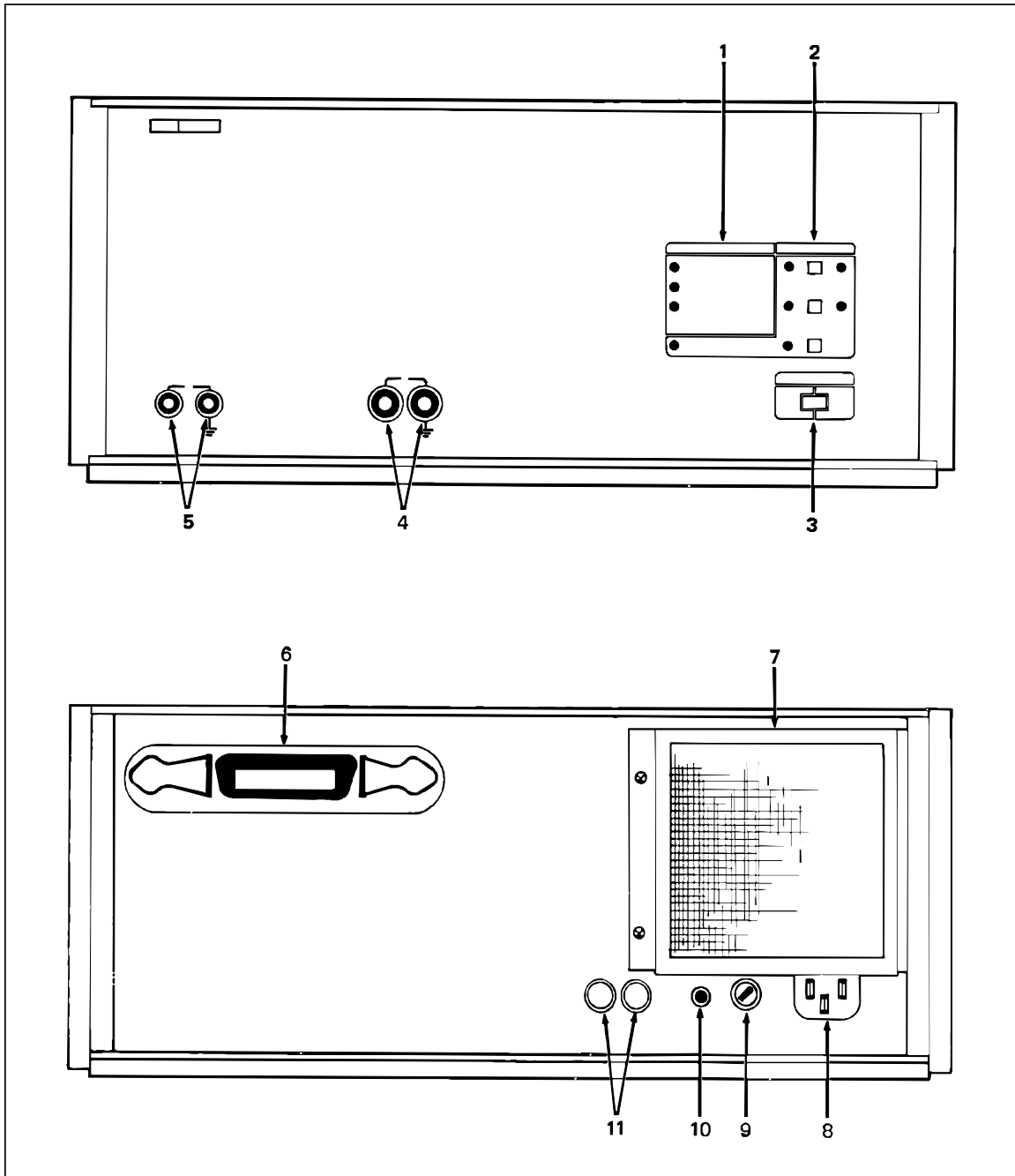
Each of the secondary windings on the power transformer is fused to protect the power supplies from damage in the event of an overload. These fuses, six in all, are internal to the 5220A and are not available to the operator. Details for replacement by qualified personnel are given in Section 4 of this manual.

## **2-7. Rack Installation**

The 5220A is designed for either bench-top use or for installation in a standard 19-inch equipment rack using the accessory Rack Mounting Kit (John Fluke P/N M08-205-600). Chassis slides (John Fluke P/N M00-280-610) can also be installed to facilitate access to the instrument when it is installed in an equipment rack. Information regarding the installation of the rack-mounting accessories is included in Section 6.

## **2-8. Operating Features**

The function and location of all 5220A controls, indicators, and connectors are shown in Figure 2-1 and described in Table 2-1.



ajs02f.wmf

Figure 2-1. Controls, Indicators, and Connectors

Table 2-1. Controls, Indicators, and Connectors

Ref. No	Name	Function
1	STATUS Indicators	<p>Three LEDs that light on an individual basis to indicate that the 5220A has exceeded an operating limit. When the limit condition is detected the 5220A is switched to the standby mode. When the limit condition is cleared the LED will remain lit until the 5220A is commanded to the operate mode. The three status conditions are as follows:</p> <p>THERMAL CUTOFF: Indicates that the output stage of the 5220A has exceeded its maximum operating temperature.</p> <p>OVERCOMPLIANCE: Indicates that the compliance voltage at the output terminals has exceeded its limit.</p> <p>OVERCURRENT: Indicates that the output current has been programmed beyond its upper limit.</p>
2	CONTROL Switches and Indicators	<p>A series of pushbutton switches and LEDs used to select and indicate the 5220A operating mode. The function of each is as follows:</p> <p>OPR/STDBY Switch: Allows alternate selection of the standby and operate modes.</p> <p>INPUT Switch: Allows alternate selection of the front and rear input connectors.</p> <p>REMOTE Switch: Allows recall of the local mode when remote is enabled and the LOCAL LOCKOUT LED is not lit.</p> <p>OPR/STBY LEDs: One of the two is lit to indicate the current operating mode, operate or standby.</p> <p>FRONT/REAR LEDs: One is lit to indicate the selected voltage input connector, front or rear.</p> <p>REMOTE LED: Lights to indicate that the remote mode has been remotely selected. If the LED is not lit the local mode is enabled.</p> <p>LOCAL LOCKOUT LED: Lights to indicate that the unit has been remotely locked in the remote mode. In this event, the three front panel CONTROL switches are disabled.</p>
3	POWER Switch	A push-push switch used to switch instrument power on and off.
4	CURRENT OUTPUT Terminals (Front)	A pair of banana-jack terminals used to provide front-panel connection to the output of the current source. The terminals are inactive when the rear-panel output terminals are selected.
5	VOLTAGE INPUT Terminals (Front)	A pair of banana-jack terminals that serve as control voltage input connections in the local/front-input mode.
6	MIS* Bus Connector	A 24-pin connector used as an I/O port for remote operation (Fluke MIS Bus) of the 5220A. When the 5220A is interfaced with a 5100 Series Calibrator (by way of a Y5000 interface) the 5220A output can be controlled from the 5100 front panel.
7	Ventilation Filter	Prevents dirt and debris from being drawn into the 5220A intake ventilation port.

**Table 2-1. Controls, Indicators, and Connectors (cont.)**

Ref. No	Name	Function
8	Power Connector	Provides the means of connecting the 5220A to ac line power by way of a 3-wire power cord.
9	Fuse Holder	Houses the ac line fuse and allows easy access for fuse replacement.
10	Ground Connector	A binding post positioned to provide a convenient connection to chassis ground.
11	Current Output Terminals (Rear)	A pair of banana-jack terminals used as rear-panel current output connections. The terminals are inactive when the front-panel CURRENT OUTPUT terminals are selected.

## **2-9. Operating Notes**

The following paragraphs describe the various conditions that should be considered before operating the 5220A.

### **2-10. AC Line Connection**

The rear-panel three-prong, U-ground connector permits the 5220A to be connected, through a power cord to 50 or 60 Hz line power. The offset prong on this connector is connected to the 5220A chassis and should be connected, via the power cord, to a high-quality earth ground.

### **2-11. Transconductance Amplifier**

A transconductance amplifier is a current source whose output current level is proportional to an analog input voltage. Electrically, the output of the unit appears as a constant current source with an output impedance that is much greater than the load resistance. Similarly, its input impedance is much greater than that of the input voltage source.

The input/output ratio of the 5220A is 1:1, and the output current range is +20 to -20 A. Therefore, the range of the input control voltage is +20 to -20 V dc. The compliance voltage of the 5220A is 3 V rms ac or +4 V dc.

### **2-12. Input Voltage Requirements**

Input control voltage for the 5220A can be supplied by any low-impedance voltage source with an output proportional to the desired output current. The source may be either ac (30 Hz to 1 kHz) or dc, fixed or adjustable, depending upon the output requirements.

The control voltage source may be connected to either the front-panel VOLTAGE INPUT terminals or the rear-panel voltage input terminals (Pins 5 (low) and 6 (high) of the 24-pin connector), but not both simultaneously. Instrument damage will not result from the simultaneous connection of two sources. However, interaction between the two inputs can result in source loading, which in turn can cause inaccuracy in the expected current output level.

If a rear-panel input is desirable, the use of the 5100 Series Calibrator and a Y5000 Interface is recommended. This combination allows the 5220A to be operated remotely as an extension of the 5100. If the use of an alternate rear-input source is desirable, the user is responsible for the proper interface. Details for custom interface requirements can be derived from the theory of operation (Section 3) and the detailed schematics (Section 8).

**2-13. Input Voltage Selection, Front/Rear**

Selection of the front or rear terminals for control voltage input is manually accomplished by pressing the INPUT push button switch on the front panel. Each depression alternately selects front or rear as indicated by the lit FRONT/REAR LED indicator. This switch is active in the local mode, and inactive in the remote mode.

**2-14. Current Output, Front/Rear**

The 5220A current output can be taken from either a front- or rear-panel set of five-way binding post terminals, but not both simultaneously. An internal jumper configuration allows qualified personnel to establish the desired output. A detailed output selection procedure is given in Section 4, Maintenance.

**2-15. Standby/Operate**

When the 5220A is energized it can be placed into one-of-two operating modes; standby or operate. The enabled mode is indicated by a lit front panel LED; OPR (operate) or STDBY (standby). Standby is essentially a reset state, in which the output of the transconductance amplifier is forced to zero regardless of the input control voltage level. In the standby mode both the amplifier and the device connected to its output are protected from accidental overloads. The operate mode is enabled when an output is required. It causes the amplifier to respond to the control voltage input, and thereby provides the appropriate current level output.

A front panel pushbutton switch (located between the OPR/STDBY LEDs) allows manual selection of either mode when the LOCAL LOCKOUT LED is not lit. However, the selection can be counteracted under certain conditions. For example, either mode may be remotely selected, and the detection of an output overload will command the standby mode. Similarly, when the unit is initially energized it is forced to standby.

**2-16. Local/Remote**

The 5220A can be operated manually using the front panel controls, or remotely by way of the rear panel connector. When the unit is initially energized, it is forced to the local control mode (REMOTE LED is not lit). The remote mode can only be selected by way of a remote control source. When remote is enabled (REMOTE LED is lit) the local mode can be recalled by a remote command or by pressing the LOCAL push-button switch on the front panel. However, if the LOCAL LOCKOUT is lit (this is also a remote command) the local mode can only be recalled by a remote command.

**2-17. Status Indicators**

A series of three front-panel STATUS LEDs provide a visual indication of overload conditions that have been detected at the 5220A output. They are: THERMAL CUTOFF, OVERCOMPLIANCE, and OVERCURRENT. When any one of these conditions is detected the appropriate LED is lit and the unit is commanded to standby. The LED will remain lit even after the overload condition has been relieved. To return the unit to the operate mode the overload must be cleared and the operate mode must be commanded. If operate is commanded while the overload is still present, the unit will remain in standby.

A thermal cutoff indication identifies overheating of the current output stage. If the heating is excessive a cooling-down period may be required before the condition is cleared.

The presence of an open-circuit or a high impedance load at the output terminals will cause an overcompliance indication. In this case, an appropriate load will have to be



connected to the output before the condition can be cleared. Overcompliance is detected as an output voltage outside the range of +4 V dc or 3 V rms ac.

Output current in excess of 20 A will cause an overcurrent indication. To correct the condition, the input control voltage must be reduced to an acceptable level.

**2-18. Audible Output**

When the 5220A is used to output high current at high frequencies (above 10 A and 1 kHz) it may emit an audible tone. The sound is normal and is characteristic of power transistors that are operated at high current density. Several factors will cause the sound to be more or less apparent. They include background noise, location of the 5220A relative to the operator, and operator's hearing ability.

**2-19. Inductive Loads**

The 5220A will drive an inductive load of up to 200  $\mu$ H. However, reasonable care must be exercised to ensure the desired results. One or more of the following considerations may apply to a given application:

1. Compliance voltage (3.0 V maximum) places a restriction on the product of inductance and operating frequency for a given output current. This is illustrated in Figure 2-2 for maximum load inductance vs frequency at output currents of 5, 10, and 20 A.
2. A step change in output current into an inductive load can easily produce an overcompliance condition. If the control voltage is being input at the front panel terminals, the rate of change must be controlled to avoid an overcompliance trip. An alternate approach is to set the 5220A to standby before making a change in the control voltage, then select the operate mode. This allows the 5220A to internally control the rate of change. If the control voltage is taken from a Fluke Model 5100 Series Calibrator, the calibrator will limit its output to an acceptable rate of change.
3. The leads used to connect a load to the 5220A can add appreciably to load inductance. For example, a pair of 5-foot leads (10 feet of wire) made of 18 gauge wire (AWG) will have a calculated inductance of 3.86  $\mu$ H. This is enough to cause an overcompliance trip if a step change in the input control voltage occurs.
4. When driving an ac current through an inductive load the 5220A will exhibit increased distortion and transconductance error. This is due to a reduction in loop gain caused by the inductance. The graph in Figure 2-3 illustrates the typical transconductance error, as a function of frequency, for two different inductive load values.

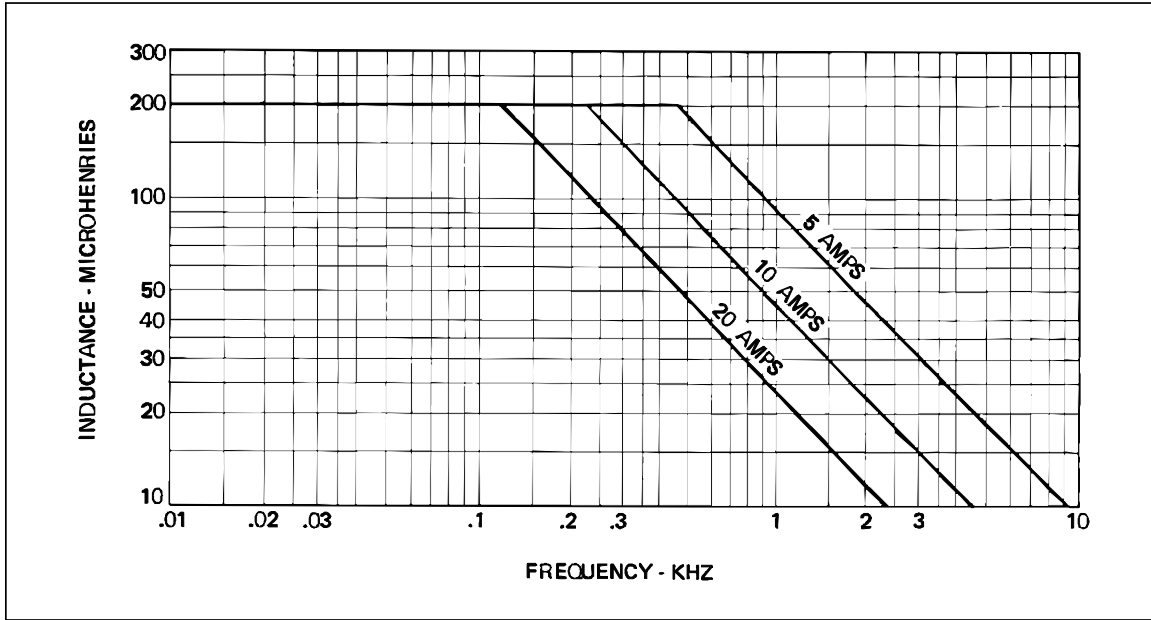


Figure 2-2. Maximum Load Inductance vs Frequency

ajs03f.wmf

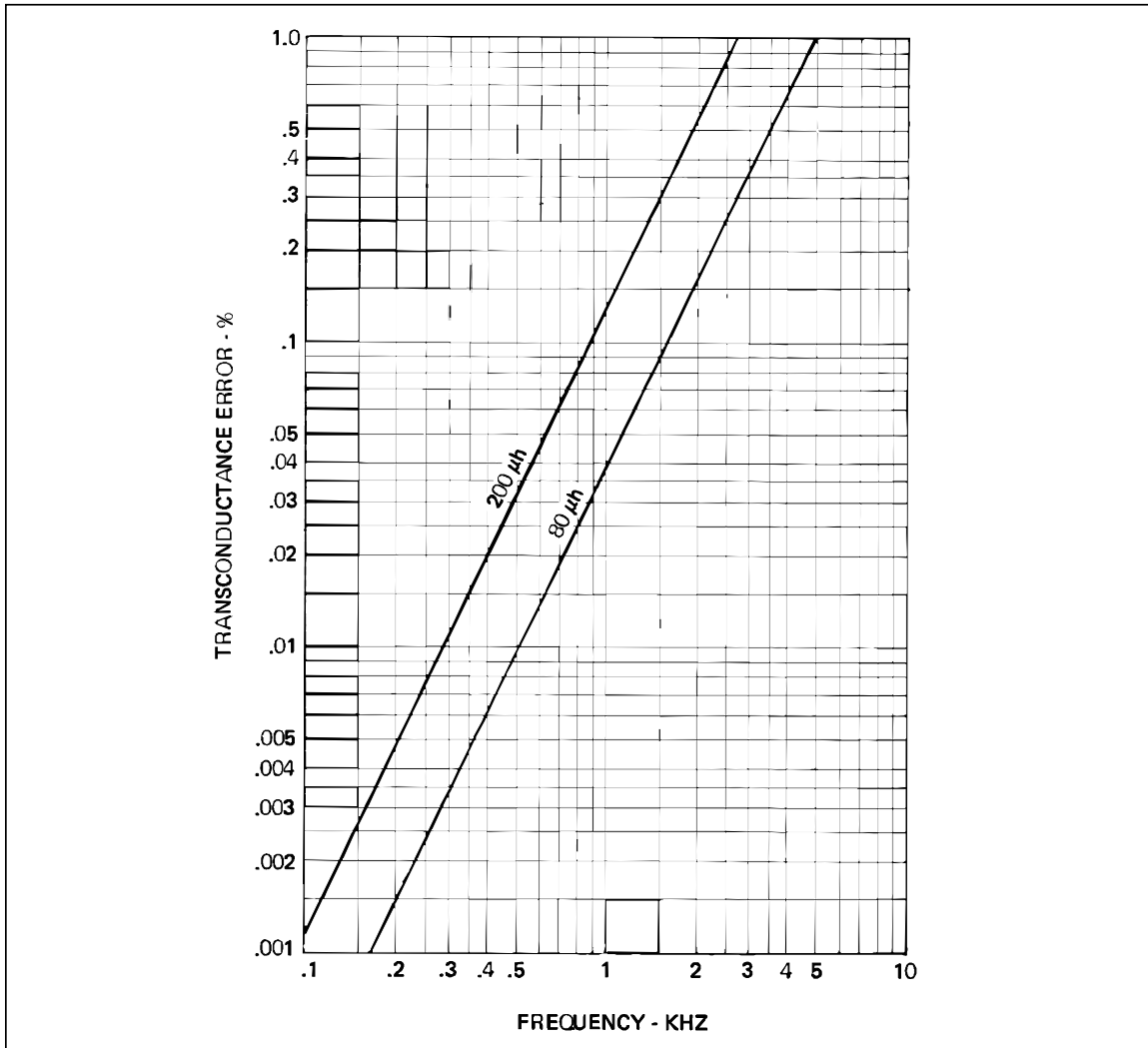


Figure 2-3. Typical Transconductance Error for Inductive Loads

ajs04f.wmf

## 2-20. Operation

The following procedure is suggested for operating the 5220A. With reference to the previous paragraphs proceed as follows:

1. Connect the 5220A to the 5100 Series Calibrator via the Y5000 Interface if remote operation is desired. See the 5100B/Y5000 Instruction Manuals for details.
2. Connect the 5220A to line power.
3. Turn-on the 5220A by depressing the POWER switch to the ON position. Only the STDBY and FRONT indicators should be lit.
4. Energize peripheral equipment as required.
5. If local operation is required, connect the control voltage source to the front-panel VOLTAGE INPUT terminals.
6. Adjust the output of the control voltage source (remote or local) to approximately 1 V.

7. Determine the active output terminals (front or rear) by connecting a short jumper wire between the front-panel CURRENT OUTPUT terminals and then pressing the OPR/STDBY switch. If the OVERCOMPLIANCE LED lights, the rear output terminals are active. Otherwise, the OPR LED will light indicating that the front CURRENT OUTPUT terminals are active.
8. Press the STDBY switch and then remove the short from the front output terminals.
9. Connect the intended load between the active output terminals.
10. Adjust the control voltage to the desired level.
11. Command the operate mode. If the OPR LED is lit, the predetermined current level is flowing through the load.
12. Set the unit to standby before disconnecting the load or setting the POWER switch to OFF.

## **Section 3**

# **Theory of Operation**

### **3-1. Introduction**

This section of the manual contains an overall functional description followed by a detailed circuit analysis of the 5220A. Both descriptions are supported by block diagrams. Component level descriptions contained in the circuit analysis are referenced to the detailed schematics in Section 8 of this manual.

### **3-2. Overall Functional Description**

#### **3-3. General**

The 5220A is a transconductance amplifier. That is, a current source whose output current is proportional to an analog input voltage. Electrically viewed at the output terminals, the 5220A appears as a current source with an output impedance that is very much greater than the load resistance. Its input terminals exhibit a similar characteristic; the input impedance is larger than that of the input voltage source.

Functionally, the 5220A, as shown in Figure 3-1, can be divided into two sections, analog and digital. The analog section consists of the power supplies, the transconductance amplifier, and associated analog control circuitry. The digital section comprises the logic necessary for overall control, and the interfaces necessary for front panel (local) operation and remote operation by way of the Fluke MIS Bus.

#### **3-4. Analog Section**

The power supply used in the 5220A provides operating voltages for both the analog and the digital section of the unit. It consists of three separate assemblies: the A2 Transformer Assembly, the A3 Cap Bus, and the A4 Regulator. The Cap Bus and Regulator Assemblies comprise the output portion of the supply, while the Transformer Assembly provides isolated ac power for the power supplies. Regulated supply voltages are a function of the A4 Regulator. These include +5 V dc and +5 V dc Isolated for the digital circuits and +15/-15 V dc for analog circuit operation. Unregulated voltages are a function of the A3 Cap Bus. The Cap Bus is a high-current, +12/-12 V dc source for the 5220A current output.

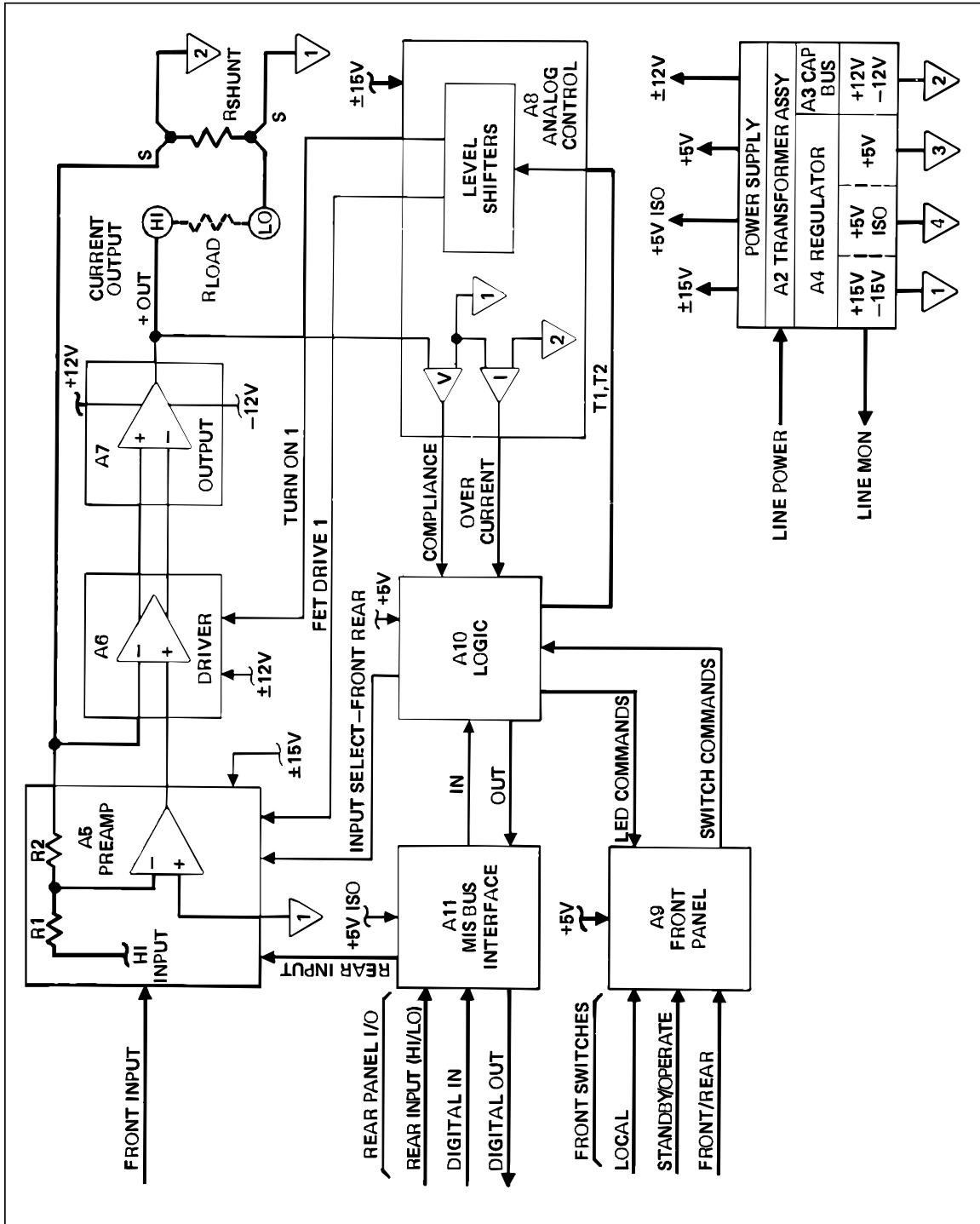


Figure 3-1. 5520A Functional Block Diagram

ajs05f.wmf

The transconductance amplifier is a three-stage, closed-loop amplifier whose feedback signal is proportional to the 5220A output (load) current. It consists of the A5 Preamp, the A6 Driver, the A7 Output, and a precision four-terminal shunt. Input voltage to the amplifier is presented, by way of front or rear input terminals, to the A5 Preamp. This assembly includes relays for front/rear input selection, precision feedback resistors to establish overall loop gain, and a high-gain amplifier equipped with on/off control for power-on/off sequencing and failure control. The output of the A5 Preamp is input directly to the A6 Driver where it is buffered and passed on as a differential input to the high-current A7 Output stage. Output current from this stage is returned through the output load and a precision current shunt to power supply common (COM 2) of the A3 Cap Bus (high-current supply). The voltage drop that occurs across the shunt is sent to the A5 Preamp as a feedback signal, thus closing the loop.

Overall operation of the transconductance amplifier is illustrated in Figure 3-2. When an input voltage,  $E_{IN}$ , is applied to the amplifier an output current,  $I_{OUT}$ , is produced. The current passes through the series connected load and the precision shunt,  $R_S$ . Current passing through the shunt produces a voltage ( $IR$ ) drop,  $E_{OUT}$ , whose polarity (with respect to COM 1) is opposite that of the input voltage. This voltage is returned to the amplifier as negative feedback through resistor  $R_2$ . The values of  $R_1$ ,  $R_2$  and  $R_S$  established the 1:1 ratio of input voltage to output current. See equations in Figure 3-2.

The analog control circuit constantly monitors the voltage and current outputs of the transconductance amplifier and provides overcompliance and overcurrent indications to the digital section of the 5220A. When an overload condition occurs, the digital section responds by sending shut-down signals to the amplifier by way of the analog control logic. Control sequencing signals ( $T_1$ ,  $T_2$ ) for amplifier turn-on are also processed by the analog control circuit.

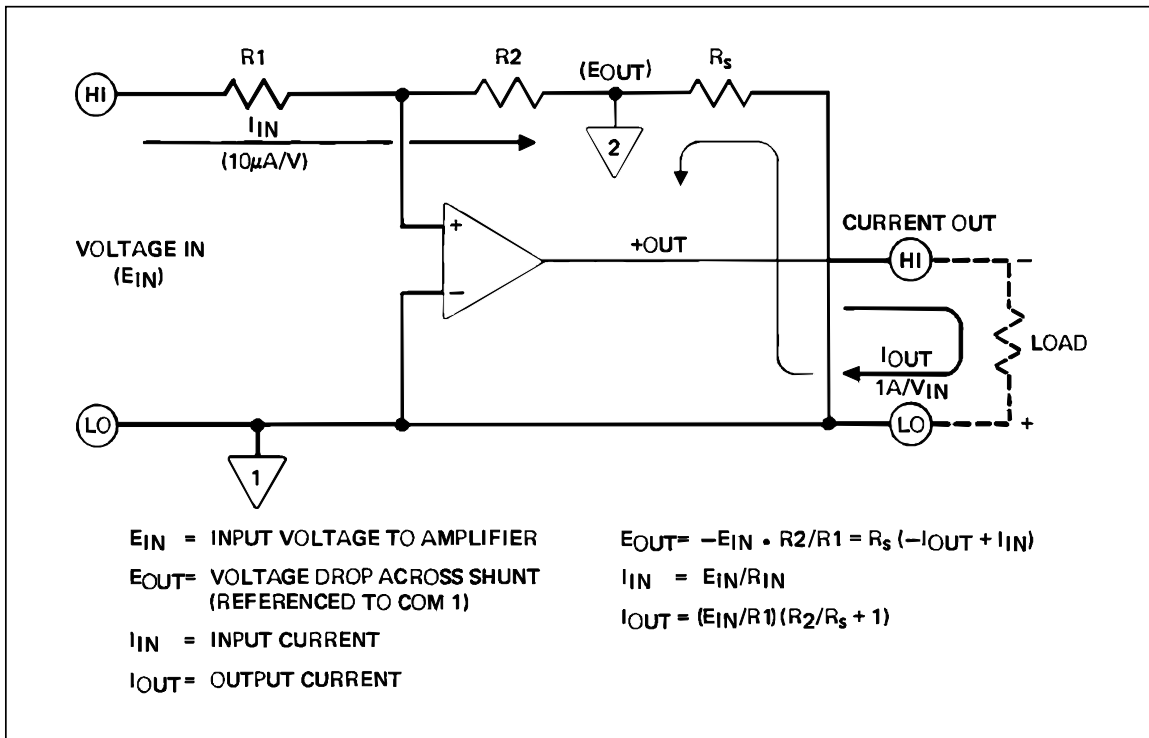


Figure 3-2. Transconductance Amplifier Simplified Circuit Diagram

ajs07f.wmf

### 3-5. **Digital Section**

The logic portion of the 5220A controls the sequencing of input relays (front/rear) and other control signals that turn the transconductance amplifier on and off. It also provides drive commands to light appropriate front panel status LEDs. Inputs to the logic are in the form of local/remote control commands from the front panel switches or the remote MIS Bus Interface, and overload signals from the analog control circuit.

Local or front panel control of the 5220A is accomplished through a series of front panel pushbutton switches which provide direct inputs to the logic circuit. Control and/or status responses to the commands are displayed on the front panel LEDs.

Remote control of the 5220A is enabled by the A11 MIS Bus Interface. The interface is intended for use with a 5100 Series Calibrator equipped with a Y5000 Interface. Control data (analog and digital) is received at the A11 MIS Bus Interface by way of a connector on the rear panel of the 5220A. In the remote mode, this data is processed by the interface and internally coupled with the analog and digital sections of the 5220A.

### 3-6. **Circuit Analysis**

A detailed circuit description of the 5220A is given in the following paragraphs. The description is keyed to the functional blocks defined in Figure 3-1. Each block is described separately and is supported by both a block diagram and a detailed schematic diagram (see Section 8 for schematics).

### 3-7. **Power Supply**

The power supply, as shown in Figure 3-3, consists of the three major assemblies: A2 Transformer, A3 Cap Bus, and A4 Regulator. Its function is to transform line power into four sets of 5220A operating voltages. Each voltage set is isolated from the other, and three of the four are regulated. The three regulated voltage sets are +15/-15 V dc, +5 V dc, and +5 V ISO (isolated). The unregulated voltage set is +12/-12 V dc.

The A2 Transformer assembly consists of a series of three line-voltage selection switches, a power transformer, and appropriate secondary output fuses. Line power to the transformer passes through the front panel power switch (S4) and the line voltage selection switches before reaching the two primary windings. The setting of the line voltage switches (S1) connects the primary windings in either a parallel or a series configuration. Parallel connection is required for 115 V ac operation and the series connection is used for 230 V ac. Switches S2 and S3 allow selection of alternate primary winding taps. They allow operation from 100, 110, 115 or 120 V ac line voltages in the parallel configuration, or from 200, 220, 230 or 240 V ac in the series configuration. The 115 V ac ventilation fan is permanently connected to one of the primary windings, thus ensuring proper operation in either voltage configuration. Fuse protection for the power line is provided by an external fuse (F1) mounted on the rear panel. Supply overload protection for the regulated supplies is provided by secondary-winding fuses F4, F5, F6, and F7 located on the A2 Transformer Assembly.

The A3 Cap Bus is a high-current, unregulated, +12/-12 V dc power supply designed to provide operating power to the output amplifier. It consists of two fuses, a full-wave rectifier, two bleeder resistors, and a bank of filter capacitors. Operating voltage is derived from a high-current center-tapped secondary winding of T1. It enters the A3 Cap Bus through overload fuses F2 and F3, and is full-wave rectified by diodes CR1 through CR4 to establish both positive and negative supply voltages. Filter capacitors, C1 through C8, filter the supply outputs. Bleeder resistors, R2 and R3, discharge the filter capacitors when line power is turned off.



The A4 Regulator is designed to convert the ac outputs from the three remaining secondary windings of T1 into three sets of isolated and regulated voltages: +5 V dc, +15/-15 V dc, and +5 V dc ISO (isolated). Each voltage is produced using conventional regulating techniques. That is, it is rectified, filtered, regulated by a three-terminal regulator, and filtered again before being output. A fifth voltage, Line Mon (monitor), is also produced on the A4 Regulator. It is derived from the T1 windings used for the +15/-15 V dc supply and is used to convey the line power status of the 5220A to the A10 Logic. The voltage is rectified by diodes CR8 and CR9, and clipped by zener VR1 before being output.

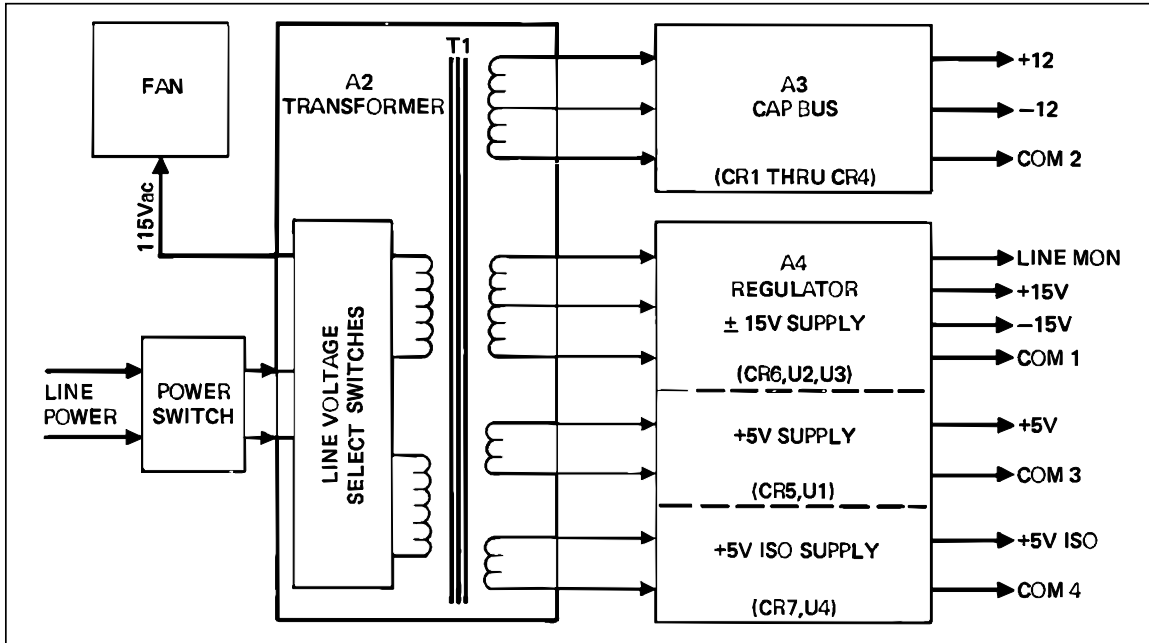


Figure 3-3. Power Supply Functional Block Diagram

### 3-8. Preamplifier

The A5 Preamplifier, as shown in Figure 3-4, is a high-gain amplifier designed to accept a front/rear panel input signal and provide an amplified output to the A6 Driver stage of the transconductance amplifier. It consists of a high-gain differential amplifier with feedback resistors, front/rear input select relays, and turn-on/off control circuitry.

In operation, the input voltage source (front or rear), as selected by the A10 Logic, is connected through reed relay K1 (front) or K2 (rear) and input resistors R1, R3, and R13 to the inverting input of a differential transistor pair, Q2. The non-inverting input of Q2 is connected to COM 1 through parallel resistors R9 and R14. The resistance value approximates the value of R1 and R2 in parallel and, thereby balances the source impedance at the amplifier inputs. Balance is required to minimize apparent input offset voltage that may result from input currents. Diode CR3 and diode-connected transistor Q3 are voltage clamps that prevent amplifier saturation on high input transients. The collectors of Q2A and Q2B drive the emitters of a pair of grounded base amplifiers formed by transistor array, U1. This holds the collectors of Q2 at a low and equal level to maintain low and equal collector-to-base leakage currents (ICER) at Q2. The actual collector voltage of Q2 is set by the temperature corrected divider formed by R4, R19, and the diode connected transistor U1C. Voltage variations at the collectors of U1A and U1B constitute the output of the differential amplifier, and are used as the input to op-amp, U2. Diodes CR4 and CR5 clamp the inputs to prevent U2 saturation when transient voltages appear. An ac feedback network, R15 and C7, fix the frequency response of the preamplifier to satisfy the overall transconductance amplifier loop. Amplifier zero is established by the selected values of collector resistors R11 and R12, and the setting of the zero-adjust potentiometer, R6.

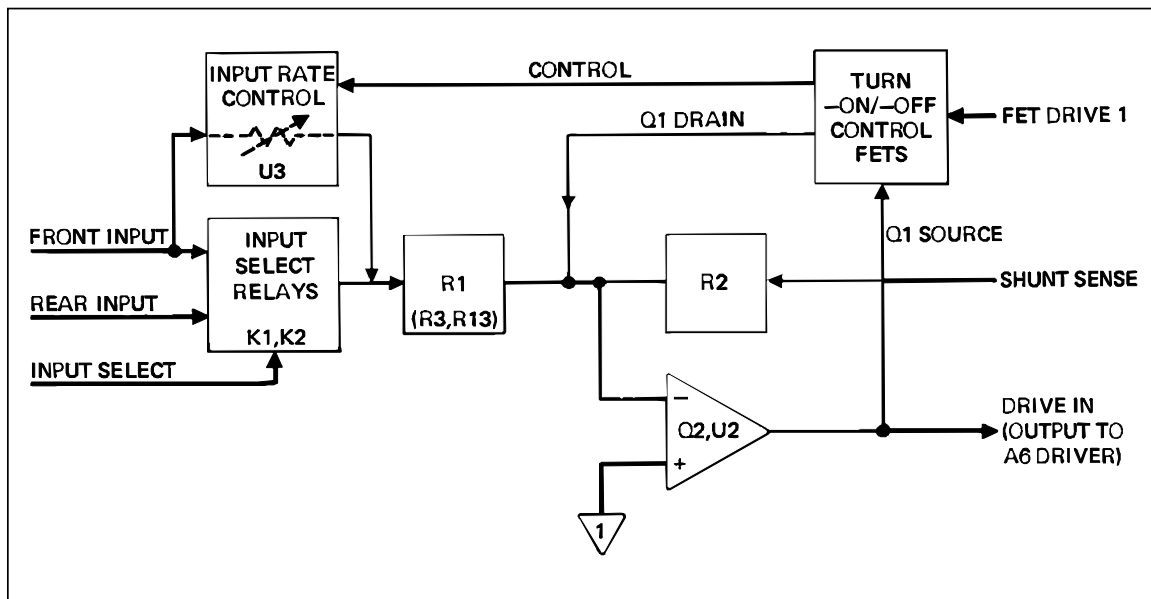


Figure 3-4. A5 Preamplifier Functional Block Diagram

ajs09f.wmf

The turn-on/off control FET (Q1) operates as FET switch to control the overall gain of the A5 Preamplifier in both the standby and operate modes. Q1 responds to the FET Drive 1 signal initiated (as T2) on the A10 Logic.

In the standby mode FET Drive 1 is near zero volts causing Q1 to turn on. FET Q1 completes the feedback loop between the output of U2 and the inverting input of Q2. This in effect reduces the gain of the A5 Preamplifier to zero. As a result the output of the transconductance amplifier is forced to zero amperes. Photo resistor U3 is used to control

the rate at which the input voltage is applied to the A5 Preamplifier when the 5220A is switched from standby to operate. This is necessary to prevent a step output which, if applied to an inductive load, would result in an overvoltage transient, forcing the 5220A back to standby. In standby both input select relays, K1 and K2, are open, capacitors, C3 and C12, are discharged, and the photo resistor U3 is a very high impedance with the LED drive removed. Thus, the A5 Preamplifier is effectively isolated from the input voltage.

In the operate mode FET Drive 1 is stepped to  $-15$  V dc causing FET Q1 to turn off. With Q1 off, the A5 Preamplifier returns to its high gain state with feedback established by resistors R1 and R2. If front input is selected, the Relay 1 drive signal is low and capacitor C12 begins charging. The increasing voltage across C12 increased the LED output from U3 which, in turn, decreases the impedance of the photo resistor. Since the resistor is in parallel with the input contacts of the still open front input relay K1, it acts as a variable input attenuator. In other words, the front input voltage is applied to the input of the A5 Preamplifier at a controlled rate and not as a step input. At the same time, a low Relay 1 drive signal is inverted by U4 causing C3 to charge through R24. When the charge reaches the threshold of the second inverter (U4) relay K1 is energized by a set of four parallel connected inverters. The charge time for C3 and C12 are designed to ensure that K1 closes after photo resistor U3 changes to a low impedance. When K1 closes, it places a short across the resistor in U3 and selects the front panel input voltage to drive the A5 Preamplifier. If the rear panel input signal is selected, a variable attenuator is not necessary because the signal from the remote 5100A rises at a controlled rate when switched from standby to operate.

### 3-9. **A6 Driver**

The A6 Driver, as shown in Figure 3-5, is a differential amplifier designed to accept its input from the A5 Preamplifier and to provide a differential drive signal to the A7 Output stage. The amplifier itself is of a discrete-component, complementary, push-pull design. Its features include the following:

- Temperature compensated biasing for both itself and the A7 Output stage
- An amplifier-disable circuit for standby operation
- An output-leakage current sink for standby operation.

The input section of the driver amplifier consists of a differential transistor pair, Q2 and Q3; a current regulator, Q4; and a common base driver, Q1, for the bias circuit. Transistor Q3 of the input pair receives the drive input from the A5 Preamplifier. The other input transistor, Q2, is driven by Shunt Sense 2, which provides negative feedback from the output current shunt to reduce distortion in the A7 Output stage. Current regulator Q4 regulates the emitter current of the differential pair, and provides isolation from variations in the  $-12$  V supply. Output from the differential pair is taken at the collector of Q3 by way of a common-base driver, Q1.

The bias section of the driver amplifier consists of resistors, R13 through R17, current regulator, CR1, and transistors, Q5 and Q107 (Q107 is physically located on the output amplifier's heat sink). Resistors R13 through R17 and current regulator CR1 form a series string that is driven by the output driver Q1 of the input amplifier. Regulator CR1 is at the end of the string and connected to  $-12$  V dc. This ensures a constant current of approximately 5.2 mA through the string. Transistors Q5 and Q107 are connected across resistors R14, R15 and R16, R17 as VBE multipliers to ensure that the voltage drop across the resistor string changes at a rate which will compensate for VBE temperature changes in the A6 Driver and A7 Output stages. Transistor Q5 senses ambient temperature changes while Q107 senses temperature changes due to power dissipation in the A7 output. The temperature compensated voltage drop developed across the resistor

string is used as a voltage source to set the quiescent bias for the remaining stages of the complementary A7 Driver and A7 Output. Variable resistor R13 is used to set the initial bias voltage.

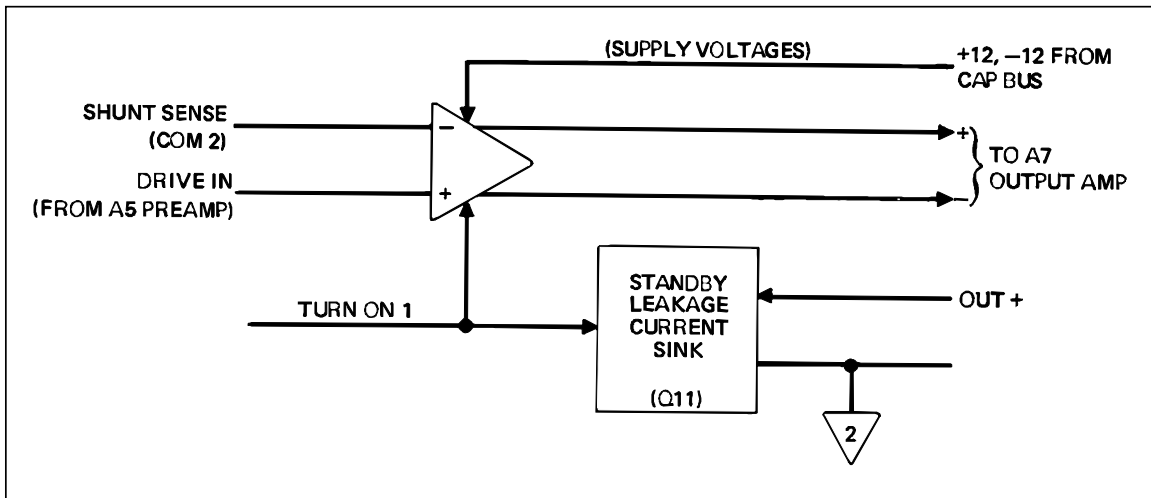


Figure 3-5. A6 Driver Functional Block Diagram

ajs10f.wmf

The characteristics of the VBE multipliers used in the bias section are stated in terms of Q5 in the following formulas:

$$VBE = [R14/R14 + R15] VCE$$

$$VCE = VBE [R14 + R15/R14]$$

The output section of the A6 Driver consists of transistors Q8, Q9, Q10, Q12, and associated components. Transistors Q8 and Q9 are arranged as complementary emitter followers that are both biased and driven by the bias section. This is followed by a common collector stage using Q10 and Q12. Overcurrent protection is provided in the stage by the 10 ohms resistors, R30 and R31, in the collector circuits. The differential output at the emitters of Q10 and Q12 is used as the drive input to the A7 output stage.

In the standby mode of operation it is necessary to reduce the 5220A output to a zero-volt/zero-current condition. This is accomplished on the A6 Driver by two separate FET circuits. FETs Q6 and Q7 comprise the voltage shut-down circuit, and FET Q11 is the output current-sink. Both are enabled by a Turn-on 1 signal which is initiated (as T1) by the A10 Logic when the 5220A is switched to standby. When Q6 and Q7 are enabled (turned on) they remove the bias from the output stage of the A6 Driver, and thereby disable the bias to the A7 Output stage. In this state the output is essentially floating and is influenced only by leakage current that may be present in the output drivers. FET Q11 remedies the floating condition by effectively clamping the output to output common (COM 2).

**3-10. A7 Output**

The A7 Output is a discrete-component, complementary-output, high-current amplifier which serves as the final output stage of the transconductance amplifier. See Figure 3-6. It consists of a pair of driver transistors, Q101 and Q102; two parallel pair(s) of output transistors, Q103, Q104 and Q105, Q106; a thermal sensing transistor, Q107; and a thermal overload switch S101. The differential output from the A6 Driver is applied to the bases of Q101 and Q102. These transistors are configured as emitter followers and provide the high current drive required by the output transistors. Collector resistors, R114 and R115, for Q101 and Q102 provide current limit protection under transient or fault conditions. Emitter resistors in the parallel output pairs prevent current hogging which would otherwise occur due to unequal VBE characteristics.

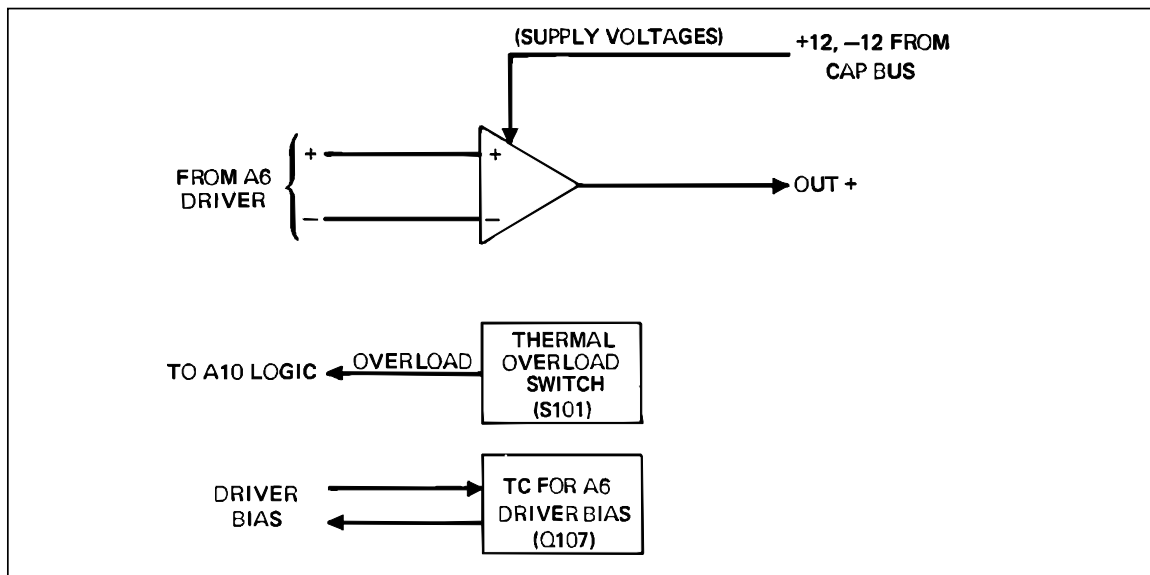


Figure 3-6. A7 Output Functional Block Diagram

All transistors in the A7 Output as well as the thermostatic switch, S101, are physically mounted on a common heat sink. The temperature of the heat sink is sensed by Q107 (part of the A7 Driver's bias network) and returned to the A7 Driver to provide bias compensation for the change in VBE with output-transistor temperature. (See A7 Driver description given earlier in this section of the manual.) Thermostatic switch S101 senses the temperature of the heat sink and provides an open contact output when an over-temperature condition is detected. The open output is sent to the A10 Logic which reacts by switching the 5220A to standby (over temperature may result from a loss or restriction of cooling airflow).

### 3-11. A8 Analog Control

The A8 Analog Control Assembly, as shown in Figure 3-7, contains an overcompliance detector, an overcurrent detector and two TTL-to-FET level shifters. The detection circuits are used to switch the 5220A to standby when an overcurrent or overcompliance condition occurs. The level shifters are driven by the A10 Logic to control the turn-on/off sequencing of the transconductance amplifier.

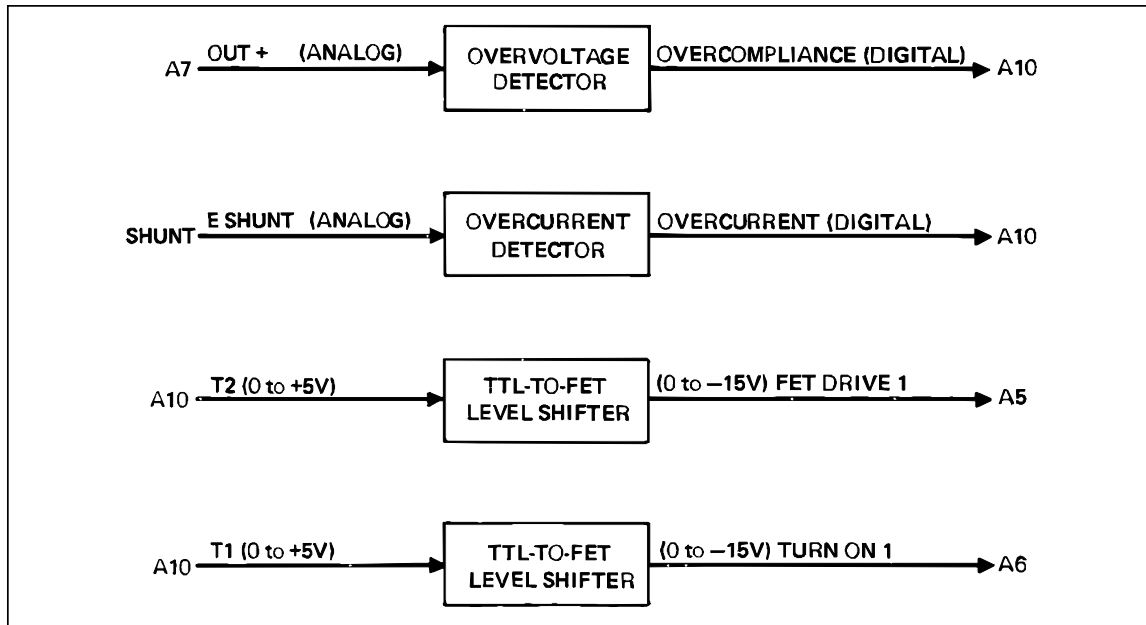


Figure 3-7. A8 Analog Control Simplified Block Diagram

ajs12f.wmf

The detection circuits are absolute value level detectors that provide a TTL output indication of the transconductance amplifier's operating status; i.e., output voltage status and output current status. As long as both output voltage and current are within their specified operating range, both detectors will output a low logic level as a normal-operation status indication. However, if either or both the specified compliance voltage and/or the output current are exceeded, the appropriate detector will output a high logic level. Upon receipt of a high logic level from either detector the A10 Logic switches the 5220A to standby.

Each of the detectors is basically the same. They consist of an absolute value amplifier (full-wave rectifier), a level conditioner, a zener diode threshold detector, and a TTL buffered output stage. The absolute value amplifier is essentially a pair of operational amplifiers configured to provide an output voltage that is equal to the amplified positive absolute value of the input signal. The input to the compliance detector is connected to sense the voltage present at the output terminals (+OUT and COM 1). Similarly, the input to the overcurrent detector is connected to sense the voltage drop across the current shunt (COM 2 and COM 1). The result, in both cases, is a negative output level that is equal to the absolute value of the input signal. This level is sent to a level conditioner where it is filtered/integrated, inverted, and amplified. An adjustable gain control in the level conditioner's feedback loop provides for accurate adjustment of the trip level.

The output of the level conditioner feeds a series connected zener/resistor circuit with the resistor connected to logic common (COM 3). When the output of the level conditioner exceeds the zener voltage, the excess is dropped across the zener resistor. This voltage is monitored by a series-connected-pair of inverters which respond to the voltage drop as if

it were a logic level. That is, voltages from 0 to an approximate 2 V threshold are considered a low logic level. A high logic level is approximately 2 to 4.5 V.

The TTL-to-FET level shifters are used to interface turn on/off commands TTL logic levels, T1 and T2, from the A10 Logic with the standby/operate control FETs in the transconductance amplifier. Both level shifters are identical in design. The input is designed to respond to voltage levels from +0.01 to +5.0 V dc. Corresponding output levels to drive the FET gates are 0 to -15 V dc.

### **3-12. A9 Front Panel**

The A9 Front Panel Assembly contains the switches (with the exception of the power switch) and LEDs that comprise the 5220A controls and indicators. The switches are used to manually convey control information to the A10 Logic. This includes selection of the local operating mode, standby/operate, and front/rear panel input. The LEDs display the current operating status of the 5220A as determined by the A10 Logic. Status conditions include: remote, local lockout (LLO), overcompliance, overcurrent, thermal cutout, front panel input, rear panel input, standby, and operate.

Electrically, the LEDs (anode end) and the switches (arm) are connected to a common +5 V bus powered by the logic supply. A switch depression represents a +5 V output to the A10 Logic. A series resistor connected to the anode end of each LED serves as a current limiter when the LED is lit. A low logic level from the A10 Logic lights the appropriate LEDs.

### **3-13. A10 Logic**

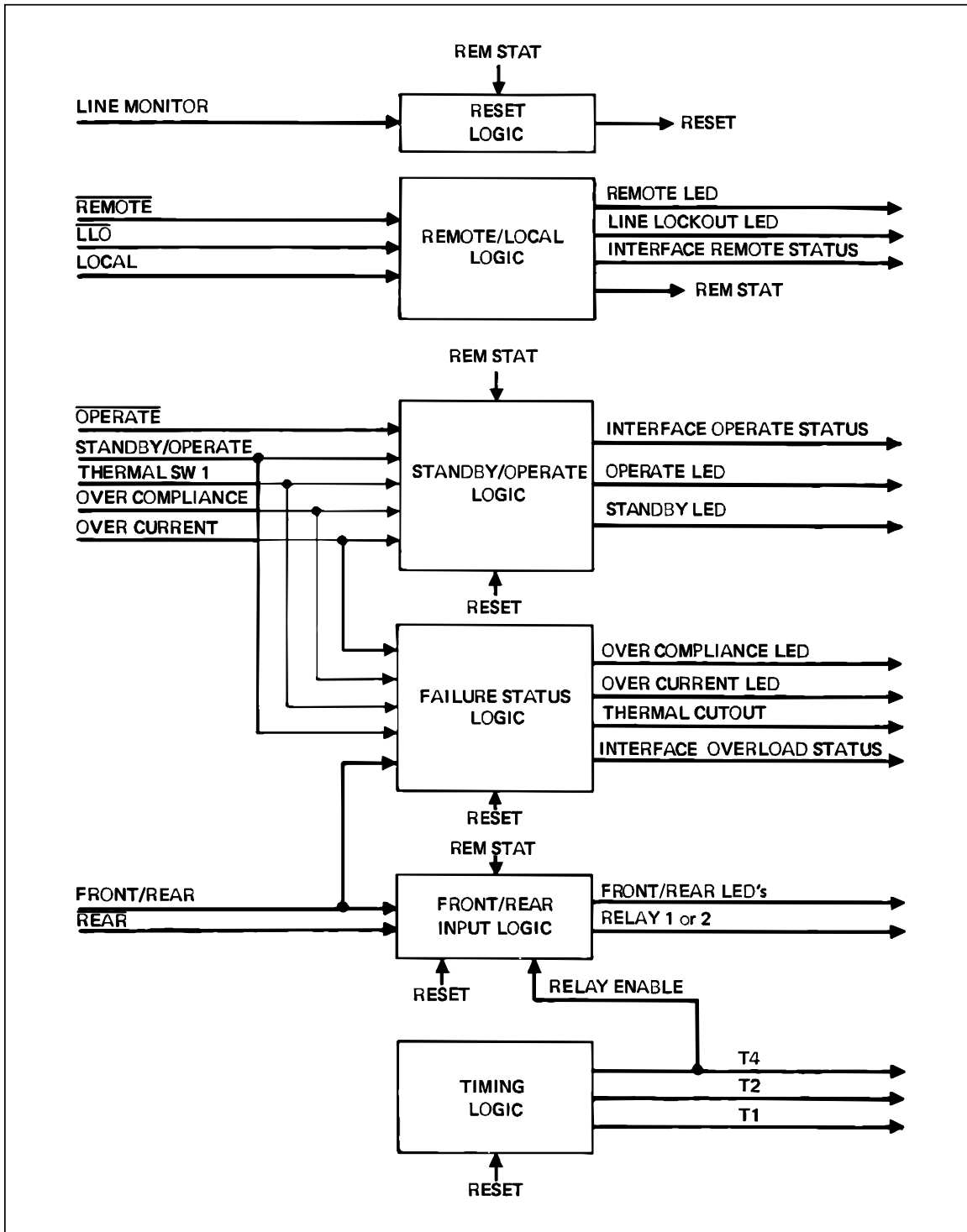
The A10 Logic, as shown in Figure 3-8, is designed to process and control the timing and the input/output of all 5220A digital control data. Input data is received from the front panel controls, the A11 MIS Bus Interface, and the analog protection circuits of the transconductance amplifier. Output data provides timing and control signals to the amplifier (including its relays) and the front panel indicator LEDs.

### **3-14. Reset Logic**

The reset logic consists of dual multivibrator U11, RC network R7/C2, or gate U9-10, and inverter U3-10. Its function is to command the reset of the A10 Logic, and thus the 5220A, to an initial state when any one of the following events occur:

1. The 5220A is initially energized.
2. The +15/-15 V dc power supply is interrupted.
3. Control is switched from remote to local.

When the 5220A is energized the +5 V dc power supply rapidly rises to its +5 V level to supply operating voltage to the A10 Logic Assembly. The voltage rise is integrated by RC network R7, C2. The slow rising voltage across C2 is used as a momentary low logic level to issue a reset command to all sections of the A10 Logic. Some sections are reset directly by the voltage across C2 while others are reset indirectly by the response of U11-10 to the voltage across C2.



ajs13f.wmf

Figure 3-8. A10 Logic Simplified Block Diagram

Loss or interruption of the +15/-15 V dc supply output causes the Line Mon (monitor) input from the power supply to go low. Normally, the line monitor input is a clipped full-wave rectified 60 Hz waveform which is generated on the A4 Regulator Assembly. The negative-going edge is used as the trigger for monostable U11-7 which is timed to provide an output pulse of approximately 0.1 second. Since the output is longer than the time between triggers, it will remain active (Q low) as long as the Line Mon (monitor)



input is present. Under normal operating condition the reset command is high at U9-10 and low at U3-10.

When the 5220A is switched from remote to local operation the local/remote logic triggers monostable U11-10 in the reset logic circuit. The result is a momentary positive-going pulse at the Q output of U11-10. This in turn drives the complementary reset lines of U9-10 and U3-10.

The overall result of a reset command, regardless of how it is initiated, is to set the output commands of the A10 Logic to the states shown in Table 3-1. Essentially the unit is commanded to standby operation with front panel inputs selected. Remote and Local Lockout (LLO) commands are not affected by the reset command.

**Table 3-1. Effect of Reset Command on A10 Logic and A9 Front Panel**

Signal Name	Logic State	Front Panel LED Status
Interface Operate Status	Low	None
Operate LED	High	OPER LED off
Standby LED	Low	STDBY LED on
T1, T2, and T4	Low	None
Relay 1	High	None
Relay 2	High	None
Front Panel Input LED	Low	FRONT LED on
Rear Panel Input LED	High	FRONT LED OFF
Overcompliance LED	High	OVERCOMPLIANCE LED off
Overcurrent LED	High	OVERCURRENT LED off
Thermal Cutout LED	High	THERMAL CUTOFF LED off
Interface Overload Status	Low	None

### 3-15. Timing Logic

The timing logic controls the timing sequence used to switch the transconductance amplifier between the standby and operate modes. It consists of a bi-directional shift register U22, D-type flip-flops U17-1, and free running multivibrator U23. The multivibrator runs at a frequency of 100 Hz (10 ms period) and serves as the clock for both the flip-flop and the shift register. Flip-flop U17-1 responds to the Reset command (reset input) and the standby/operate commands (D-input) to select the shift register's control mode; i.e., shift left or shift right. The shift register's four outputs are sequenced low in the shift-left mode and high in the shift-right mode. With all outputs low the transconductance amplifier is set to standby. The amplifier is operational when all output are high.

The shift-left mode is selected when flip-flop U17-1 drives the register's S0 input low and its S1 input high. (This occurs as the result of a standby or reset command.) In this mode the register sequentially propagates the low input at U22-7 through the register causing its four outputs (QA, QB, QC, and QD) to be sequentially driven low. Since the register shifts at the rate of the 100 Hz clock, the outputs are sequenced at intervals of 10 ms. At the end of four clock pulses all four outputs are low (standby), and will remain low until the register is commanded to shift right.

The shift-right mode is selected when flop-flop U17-1 responds to an operate command (D-input low) and drives the register's S0 input high and the S1 input low. This results in the high input at U22-2 being sequentially propagated through the register and its four outputs (QD, QC, QB and QA) being driven high (operate).

The outputs of the shift register are used as control signals to sequence the turn-on and turn-off of the transconductance amplifier. They are designated T1, T2, and T4 (T3 is not used) and their sequence is shown in Figure 3-9. The control function of each of the signals is as follows:

1. T1 turns the A6 Driver on and off.
2. T2 turns the A5 Preamplifier on and off.
3. T4 enables/disables the selected front/rear input relay (K1 or K2) on the A5 preamplifier.

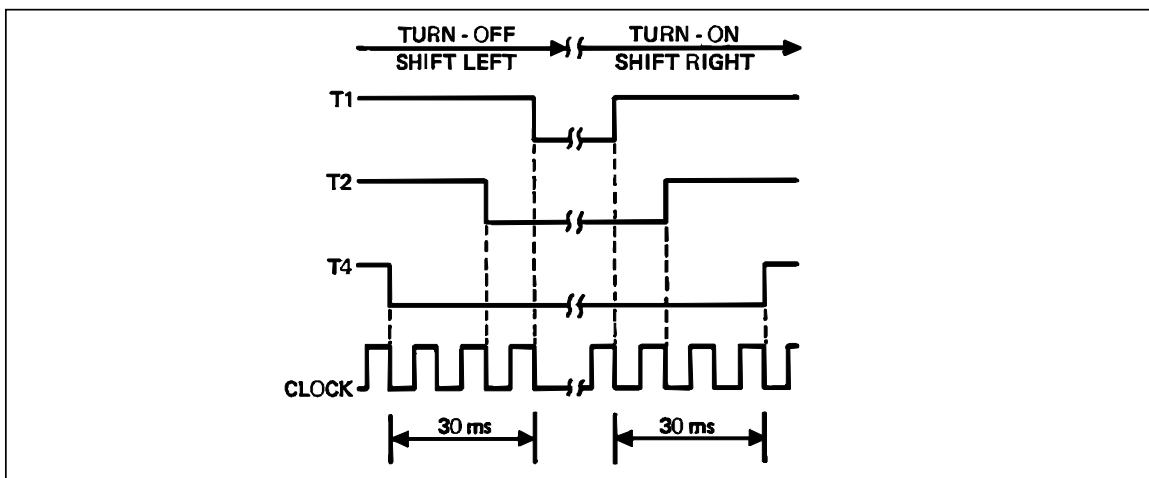


Figure 3-9. Timing Sequence

ajs14f.wmf

### 3-16. Standby/Operate Logic

The standby/operate logic consists of optical isolators U1 and U5, monostable U8-7, D-type flip-flop U10-9, and a series of supporting logic gates and buffers. Its function is twofold. One, it responds to reset and external inputs to command the state of the timing logic, shift left (standby mode) or shift right (operate). Two, it drives the front-panel STANDBY/OPERATE LEDs and provides the A11 MIS Bus Interface (remote interface) with an Interface Operate Status (Standby/Operate) signal. Flip-flop U10-9 is used to store the commanded mode (standby or operate) and to provide the necessary commands to the shift register (in the timing logic) and the LED/status drivers. Optical isolators U1 and U5 are used to electrically isolate remote control signals to and from the A11 MIS Bus Interface from the A10 Logic.

Standby/operate commands occur in the form of Reset, Standby/Operate, not Operate, Sw(itch) 1, Overcompliance, and Overcurrent. Reset is an onboard command from the reset logic. It sets the 5220A to standby by commanding U10-9 to the clear state (Q low). Standby/Operate is received in the form of a +5 V (high) input each time the front-panel STANDBY/OPERATE switch is pressed. If the 5220A is in the local control mode, each press of the switch will clock flip-flop U10-9 to its alternate state. The result is an alternate selection of either the standby or the operate mode, as indicated by the front-panel STANDBY and OPERATE LEDs. A similar command, Interface Operate Status (also derived from the state of U10-9), is issued to the A11 MIS Bus Interface; low

indicates standby, high indicates operate. The not Operate signal is received from the A11 MIS Bus Interface and is effective only when the 5220A is in the remote control mode. In the high state, the signal clears flip-flop U10-9 to invoke the standby mode. When not Operate goes low it presets flip-flop U10-9 (by way of U8-7) to invoke the operate mode. Overload signals received at the standby/operate logic include; Thermal Sw(itch) 1, Overcompliance and Overcurrent. When any one of these signals goes high, flip-flop u10-9 is cleared to the standby state.

### 3-17. *Local/Remote Logic*

The local/remote logic consists of optical isolators U4 and U20-8, monostable U8-9, D-type flip-flop U7, and a series of supporting logic gates and buffers. Its function is to enable selection of the desired control mode (local or remote) and to provide the drive for the appropriate front panel and A11 MIS Bus Interface status indicators. These include LLO (Local Lock Out) LED, Remote LED, and Interface Remote Status. Flip-flop U7 is used to store the commanded mode (local or remote) and to provide the necessary commands to the onboard logic and the LED/status drivers. Optical isolators U4 and U20-8 electrically isolate remote control signals to and from the A11 MIS Bus Interface from the A10 Logic.

Local/remote commands are received in the form of Local, not Remote, and not LLO (Local Lockout). Local occurs as a momentary +5 V (high) input each time the front panel LOCAL switch is pressed. If the 5220A is in the remote control mode and Local Lockout is not commanded (high) pressing the front panel LOCAL switch will initiate a 1  $\mu$ s pulse from monostable U8-9. This pulse clears flip-flop U7, which in turn, commands the A10 Logic to the local mode (Rem Stat low). As a result, the Remote LED and LLO LED signals are high, Interface Remote Status is low. However, if not LLO is low when the LOCAL switch is pressed, monostable U8-9 will be held in the reset state and flip-flop U7 will not be cleared. Thus, the A10 Logic is effectively locked into the remote mode until not LLO is returned high.

The not Remote signal is received from the A11 MIS Bus Interface and is used to remotely command the A10 Logic to the remote control mode. When the signal goes low it is coupled across optical isolator U4 to the clock input of D-type flip-flop U7. This sets the Q Output of U7 high to select the remote control mode (Rem Stat high). As a result, the Remote LED signal goes low to light the REMOTE LED and the Interface Remote Status output goes high.

When the 5220A is commanded to the remote mode the front-panel STANDBY/OPERATE and FRONT/REAR switches are disabled and the corresponding remote inputs are enabled. Similarly, if LLO is remotely enabled, the LOCAL pushbutton is disable.

### 3-18. *Front/Rear Input Logic*

The front/rear input logic is used to command the front/rear input relays on the A5 Preamplifier and to drive the appropriate FRONT/REAR LED on the front panel. When the A10 Logic is in the local mode, Front/Rear commands are received from the front panel pushbutton. Each switch depression is received as a +5 V (high) level that is used to clock alternate states on D-type flip-flop U10-5. The FRONT LED and Relay K1 are commanded when the Q output of U10-5 is low. When the A10 Logic is in the remote mode the not Rear input signal is used to command the front/rear input relays. Front input is selected when not Rear is high. Actual opening/closing of the relays is enabled at time T4 of the timing logic.

### 3-19. Failure Status Logic

The failure status logic consists of three D-type flip-flop (U16-1, U16-13, and U17-13) and their associated logic gates and drivers. Its function is to store failure conditions detected by other parts of the A10 Logic and to drive the front panel STATUS indicators. An optical isolator is also included for providing an Interface Overload Status signal to the A11 MIS Bus Interface. Front panel status indicators comprise three LEDs: OVERCOMPLIANCE, OVERCURRENT, and THERMAL CUTOFF. When any one of these LEDs is lit, Interface Overload Status is driven high.

The inputs to the D-type flip-flop are connected to respond to three commands: reset, clock, and set. The reset and clock inputs are used to set the Q outputs low, and thereby remove the drive from the front panel STATUS LEDs. The three reset inputs are connected in parallel and are commanded when the 5220A is initially energized and when it is remotely commanded from standby to operate. The clock inputs are also connected in parallel. They respond to a high input that transfers the low D-input to the Q output. The clock is driven high under the following conditions:

1. When the STDBY/OPR pushbutton is pressed.
2. When the FRONT/REAR pushbutton is pressed.
3. When an onboard reset is initiated.

The set-inputs to the flip-flops in the failure status logic are used to set the Q outputs high when a failure status is detected. This causes the corresponding STATUS LED to be lit and the Interface Overload Status signal to go high. Each flip-flop responds to one of the failure signals issued by the transconductance amplifier. They are:

1. Thermal Sw(itch) 1
2. Overcompliance
3. Overcurrent

### 3-20. A11 MIS Bus Interface

The A11 MIS Bus Interface, as shown in Figure 3-10, is a remote control interface that allows the 5220A to operate as an extension of a 5100 Series Calibrator equipped with a Model Y5000 Interface. An accessory cable is available for use with the Y5000 to complete the necessary connections between the Y5000 and the A11 MIS Bus Interface.

Functionally, the A11 MIS Bus Interface (hereafter referred to as the MIS I/F) performs three basic functions: receives and stores digital control data from a remote control source (Y5000), interfaces 5220A status signals to the Y5000, and provides a connecting path between the remote analog input signal (Aux Out) and the rear-input connections on the A5 Preamplifier. Operating power for the assembly is derived from the +5 V ISO (isolated) power supply.

Control data is received at the MIS I/F via the data bus as a 4-bit parallel word. When the 5100 Series Calibrator places the correct address on the address bus (BC0, BC3, and BC6 high), the write data logic responds by pulling the not ACK (acknowledge) line low and clocking the control data word into the data register, U1. The not ACK signal is sent to the 5100 to acknowledge the receipt of a valid address. The register outputs are buffered and inverted by U6 before being used as remote programming inputs to the A10 Logic PCB (i.e., not Remote, not Operate, not LLO and not Rear). At the same time that the address is acknowledged, an RS flip-flop in the write data logic is set.

The function of the RS flip-flop is to prevent two successive status read inputs to the 5220A. The flip-flop is set when a high is present on inputs BC0, BC3, and BC6. This results in a low output from U5-8 and a high output from U4-6. In this state gate U5-8 is

enabled so that a status read can take place when BC0 and BC2 go high. Status read causes the w/not R line to go low for the duration of the BC0 and BC2 inputs. At the end of status read, the RS flip-flop is reset, closing the w/not R gate (U5-8) until it is reopened by another programming input. This process is repeated every 16 ms because the 5100 Series Calibrator refreshes the programming input to the 5220A at this rate.

Status information is received at the MIS I/F as three bits of parallel data (Remote Status, Operate Status, and Overload Status) from the A10 Logic. When the 5100 Series Calibrator places the correct address on the address bus (BC0 and BC2 high), the read status logic responds by pulling the not ACK line low and gating the three status bits onto the data bus. The not ACK signal is sent to the 5100 to acknowledge the receipt of a valid address. At the same time the RS flip-flop in the read status logic is reset. This causes a read command (W/nor R low) to be sent to the 5100 so that it can read the data bus. The acknowledge output and the w/not R line will return high when the status address code is removed from the address bus.

The analog output from the 5100 is passed through the Y5000 and the MIS I/F by way of a two-wire (high, low) analog bus. The signal is routed directly from the MIS I/F to the rear input connections on the A5 Preamp.

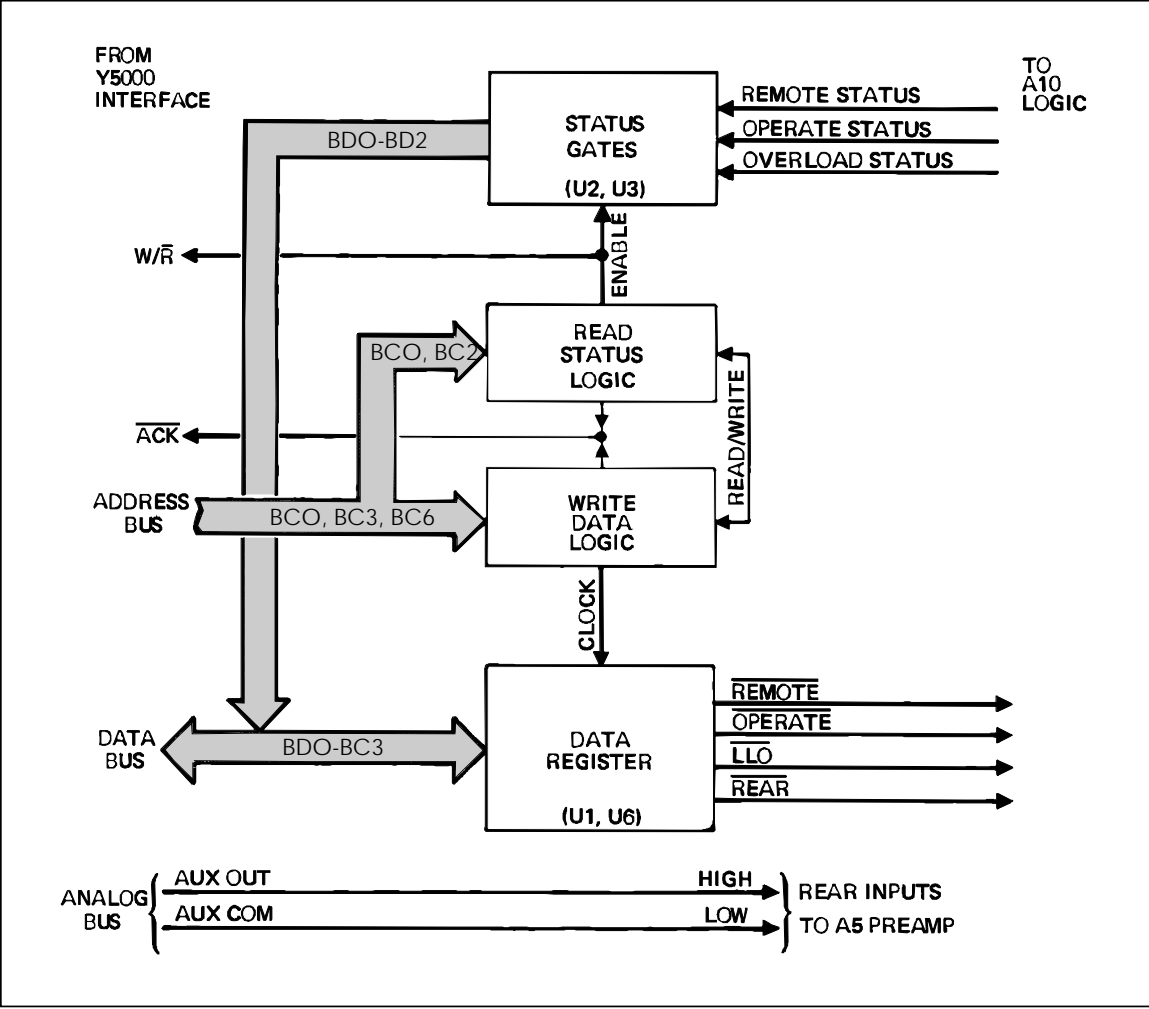


Figure 3-10. A11 MIS Bus Interface

ajs06f.wmf



# Section 4 Maintenance

## 4-1. Introduction

### **⚠ Warning**

**These servicing instructions are for use by qualified personnel only. To avoid electric shock, do not perform any servicing other than that contained in the operation instructions unless you are qualified to do so.**

This section of the manual contains maintenance information for the Model 5220A Transconductance Amplifier. The material is presented under the categories of shipping information, general maintenance, performance test, calibration adjustments, and troubleshooting. The performance test is recommended as an acceptance test when the unit is first received, and later as a calibration procedure to verify the 180-day specifications. Table 4-1 lists the equipment required for both the performance test and calibration adjustments. If a recommended model is not available, an equivalent instrument meeting the required characteristics can be substituted.

**Table 4-1. Required Test Equipment**

<b>Equipment Type</b>	<b>Required Specifications</b>	<b>Recommended Type</b>
DC and AC Voltage Calibrator	0 to 20 V dc $\pm 0.002\%$	Fluke Model 5700A
Digital Multimeter	0 to 20 V dc $\pm 0.002\%$ , Resolution: 1 $\mu$ V	HP3458A
Precision Shunt	0.01 $\Omega$ $\pm 0.01\%$ dc, 0.035% ac to 5 kHz	Fluke Model Y5020
Load Resistor	0.01 $\Omega$ $\pm 3\%$ , 50 W	Dale RH-50
Load Resistor	0.01 $\Omega$ $\pm 5\%$ , 10 W	Dale RH-10
Distortion Analyzer	Frequency range: 100 Hz to 5 kHz	Sound Technology Model 1700A
Autotransformer	Nominal line voltage $\pm 10\%$ , 500 W	General Radio Variac

## 4-2. **Service Information**

The 5220A is warranted for a period of 1-year upon delivery to the original purchaser. The warranty is located on the back of the title page.

Factory authorized calibration and service for each Fluke product is available at various worldwide locations. A complete list of these service centers is included in Section 7 of this manual. If requested, an estimate will be provided to the customer before work is begun on instruments that are beyond the warranty period.

## 4-3. **General Maintenance**

### 4-4. **Cleaning**

Clean the 5220A periodically to remove dust, grease, and other contamination. Use the following procedure:

1. Clean the front panel and case with a soft cloth dampened with a mild solution of detergent and water.
2. Clean the surface of the PCBs using clean, dry air at low pressure (<20 psi). If grease is encountered, spray with Freon T.F. Degreaser and remove grime with dry, low-pressure air.

### 4-5. **Air Filter Maintenance**

Periodically inspect the air filter on the rear panel for dirt and contaminants. If cleaning is required, use the following procedure:

1. Disconnect the 5220A from line power.
2. Remove the two screws from the filter housing and gently pull the filter assembly from the unit.
3. Clean the filter using either low-pressure air or a mild solution of detergent and water.
4. Dry (if necessary) and reinstall the filter.

### 4-6. **Access Information**

The 5220A is a modular instrument that can be easily disassembled by sections. Procedures for section disassembly are given in the following paragraphs. Some procedures require the completion of previous procedures in the disassembly process. When this occurs, the previous procedure will be referenced, but not repeated.

#### **⚠ Warning**

**To avoid electrical shock hazard, disconnect the 5220A from line power before attempting any of the following disassembly procedures.**

Reassembly of the instrument is accomplished by logically reversing the disassembly procedure. Before installing the top covers on the unit, make a visual comparison with Figure 4-1 to ensure the presence of all assemblies, jumpers, and fuses.



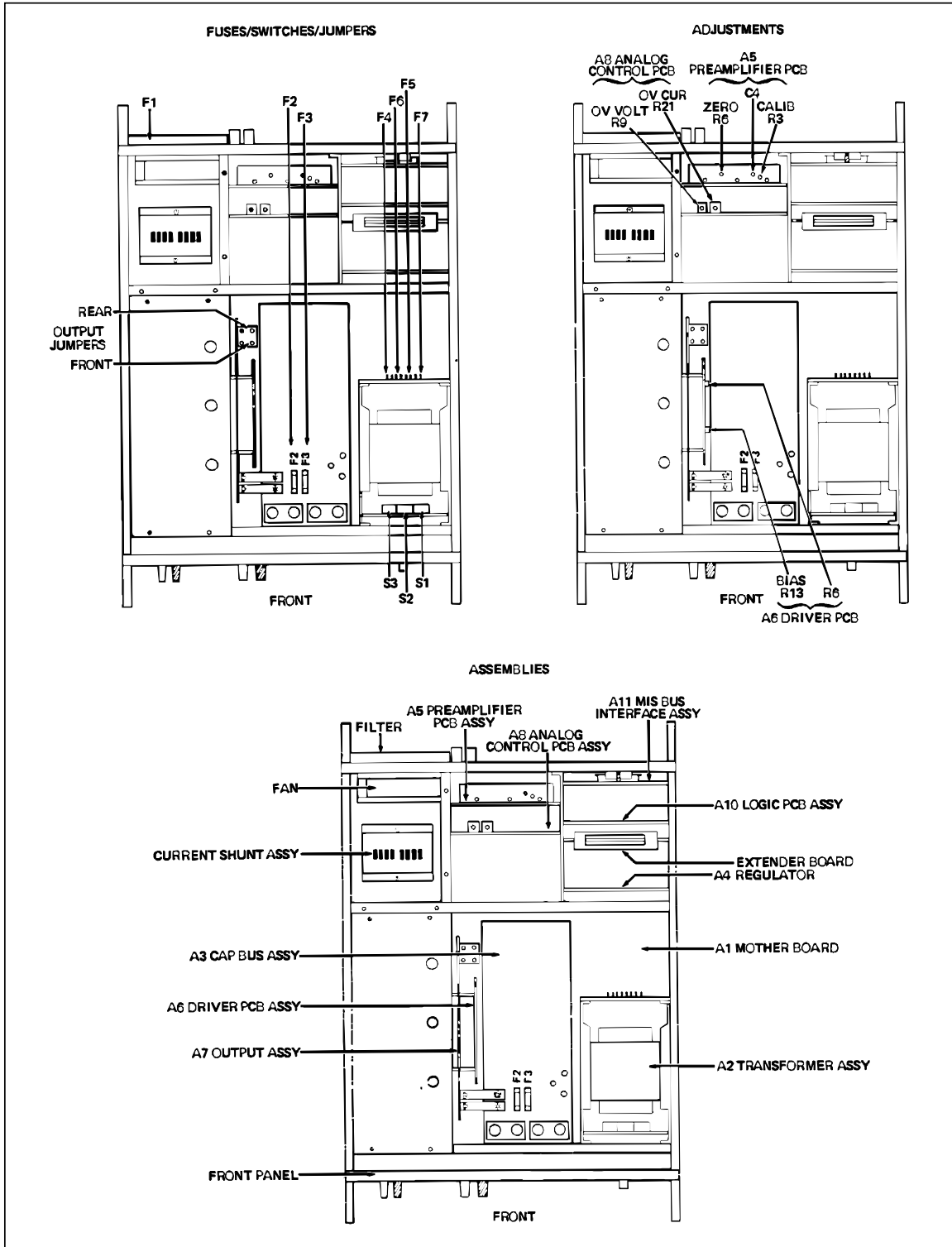


Figure 4-1. Internal Component/Assembly Locations

ajs15f.wmf

**Caution**

To prevent component damage observe static awareness precautions during instrument disassembly/assembly. Refer to the yellow insert sheet following Section 1.

#### 4-7. *Internal Components/Assemblies*

All internal switches, fuses, and calibration adjustments can be accessed by removing the top cover and the large inner cover from the 5220A. The location of each of the applicable components is shown in Figure 4-1. Procedures for setting, replacing, and/or adjusting these components are given later in this section of the manual.

#### 4-8. *Front Panel Removal*

There are no electrical components physically mounted on the front panel of the 5220A. Use the following procedure to remove the front panel:

1. Remove the top and bottom covers from the 5220A.
2. Stand the instrument on its rear handles. Use a solid work surface.
3. Locate the two tabs at the rear of each front handle and remove the tab screws (4 total).
4. Lift the front panel from the chassis.

#### 4-9. *A9 Front Panel PCB Removal*

Use the following procedure to access and remove the A9 Front Panel PCB Assembly:

1. Remove the front panel.
2. Remove the two screws from the top of the A9 Front Panel PCB Assembly.
3. Pull the PCB from its connector (J10).

#### 4-10. *A2 Transformer Assembly Removal*

Use the following procedure to remove the A2 Transformer Assembly from the 5220A:

1. Remove the top cover from the 5220A.
2. Remove the large inner cover.
3. Locate and remove the two screws that hold the A2 Transformer Assembly to the chassis side.
4. Remove the two screws that hold the A2 Transformer Assembly to the Motherboard. These screws are located on the bottom right-side of the transformer assembly (as viewed from the top rear of the 5220A).
5. Remove the two hex screws that hold the top front of the transformer assembly to the 5220A front bulkhead.
6. Disconnect the three high-current transformer leads at the A3 Cap Bus Assembly. Lug nuts hold the leads in place.

#### *Note*

*When reassembling, the clear colored lead (center top) must be connected to the terminal marked T. Connect one black lead to terminal S and the other to terminal F.*

7. Carefully lift the A2 Transformer Assembly from the 5220A.

#### 4-11. A6 Driver and A7 Output Assembly Removal

The A6 Driver and A7 Output PCB Assemblies comprise a plug-in assembly referred to in this procedure as the A6 Driver/A7 Output. Use the following procedure to remove the A6 Driver/A7 Output:

1. Remove the top cover from the 5220A.
2. Remove the large inner cover.
3. Remove the four screws from the sheet-metal portion of the A7 Output Assembly.
4. Remove the lug nuts holding the +12 and -12 V bus straps to the A3 Cap Bus.
5. Remove the front/rear output selection screws (jumpers).
6. Lift the A6 Driver/A7 Output from the chassis.

#### 4-12. A3 Cap Bus Removal

To remove the A3 Cap Bus from the 5220A use the following procedure:

1. Remove the top and bottom covers from the 5220A.
2. Remove the top inner cover.
3. Remove both the front panel and the A9 Front Panel PCB Assembly.
4. Remove the A6 Driver/A7 Output Assembly.
5. Disconnect the transformer leads at the A3 Cap Bus.
6. Remove the two screws that secure the A3 Cap Bus ground strap to the motherboard.
7. Remove the nine screws holding the A3 Cap Bus to the front panel bulkhead.
8. On the A3 Cap Bus locate and remove the two large-head screws located to the side of resistors R2 and R5.

#### **Caution**

**When these screws are installed they should be snug with the PCB. However, they should not cause the PCB to bow.**

9. Lift the A3 Cap Bus from the chassis.

#### *Note*

*A heat-sink compound has been applied to the diode-end of the A3 Cap Bus. Do not wipe off or otherwise remove this compound.*

#### 4-13. A12 Shunt Assembly Removal

Use the following procedure to remove the A12 Shunt Assembly:

1. Remove the top cover from the 5220A.
2. Remove both the large and small inner covers.
3. Remove the A8 Analog Control PCB Assembly from its connectors (J40).
4. Unplug the red-/black-lead connector next to J50 on the motherboard.
5. Locate the A12 Shunt Assembly (just in front of the fan) and remove the two screws at the base of the assembly).
6. Carefully pull the A12 Shunt Assembly straight up while feeding the red-/black-leads under the bulkhead. When the leads are free, remove the A12 Shunt Assembly from the chassis.

#### *Note*

*When reinstalling the shunt make sure that the red-/black-leads are plugged into the motherboard; red lead to pin R, black lead to pin B.*

#### **4-14. Fuse Replacement**

##### **4-15. Ac Line Fuse**

The ac line fuse is accessible by way of a rear-panel fuse holder located to the left of the input power connector. If fuse replacement is required, disconnect the 5220A from line power and remove the fuse cap and fuse (twist the fuse cap ccw using a screwdriver). Select and install a replacement fuse whose rating is compatible with the local line voltage.

- 100 to 120 V ac: Use fuse type MDA 3 A
- 220 to 240 V ac: Use fuse type MDX 1.5 A

##### **4-16. Power Supply Fuses**

There are six fuses located inside of the 5220A. Each is used to fuse one of the secondary windings of the power transformer. Four of the fuses are located on the A2 Transformer Assembly, and two are on the A3 Cap Bus. Their locations (F2 through F7) are shown in Figure 4-1. Use the following procedure when replacement is necessary:

1. Disconnect the 5220A from line power.
2. Remove the top and large inner covers from the 5220A.
3. With reference to Figure 4-1, locate and inspect fuses F2 through F7. The fuses are installed in fuse clips and can be pulled out using your fingers.
4. Replace defective fuses with the appropriate type and rating:
  - a. F2 and F3 are AGC 20 A fuses.
  - b. F4 through F7 are MDL 1/2 A fuses.

##### **4-17. Line Voltage Selection**

The 5220A is set at the factory to operate at a line voltage of either 115 or 230 V ac +10%, 40 to 60 Hz. The selected voltage is identified on a rear panel decal. If your local line voltage is not within this preset range, a suitable range may be selected by setting a series of three switches (S1, S2, S3) on the A1 Transformer Assembly. Figure 4-2 shows the switch locations as well as the switch settings for eight different line voltages. Use the following procedure to set the line voltage switches:

1. Disconnect the 5220A from line power.
2. Remove both the top cover and the large inner cover from the 5220A.
3. With reference to Figure 4-2, locate and set switches S1, S2, and S3 to the positions indicated for the desired line voltage.
4. Reinstall the top and inner covers.

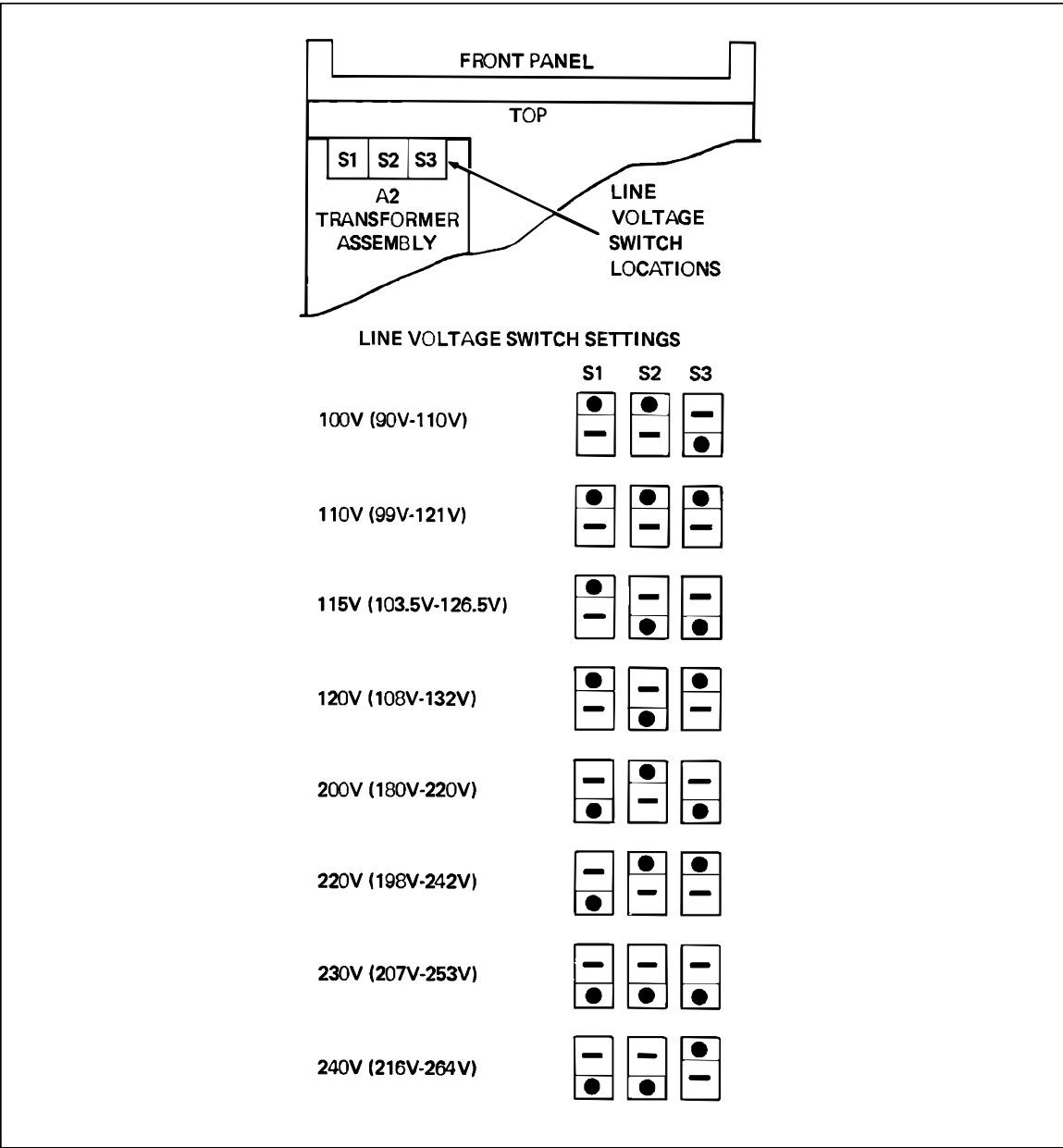


Figure 4-2. Line Voltage Selection

ajs16f.wmf

**4-18. Output Terminal Selection, Front/Rear**

Either the front or rear output terminals (but not both simultaneously) may be selected to provide the current output connections. The active terminals are determined by the position of a pair of screws that serve as output jumpers. See Figure 4-1 for the output jumper (screw) locations. Installing the screws in the two holes marked FRONT enables the front CURRENT OUTPUT terminals. Similarly, installing the screws in the two holes marked REAR enables the rear output terminals. Use the following procedure to position the screws:

### **Caution**

**To ensure proper instrument operation make sure that both screws are installed and that they are both in either the FRONT or REAR locations.**

1. Disconnect the 5220A from line power.
2. Remove both the top and large inner covers from the 5220A.
3. Locate the output jumper screws as shown in Figure 4-1.
4. Install and secure the screws in the two FRONT or REAR holes, as desired.
5. Reinstall the top and inner covers.

#### **4-19. Service Tools**

The 5220A comes equipped with an extender board for servicing other 5220A PCB assemblies. A storage slot for the board is provided in the 5220A PCB assemblies. See Figure 4-1 for the storage location.

#### **4-20. Performance Test**

The following paragraphs comprise a performance verification test that compares the instrument's performance to the specifications given in Section 1 of this manual. The test is recommended as an acceptance test when the unit is first received, and later as a calibration procedure to verify instrument accuracy at the scheduled calibration periods. It is also useful as an aid in troubleshooting.

Test equipment required for the performance test is listed earlier in Table 4-1. If the recommended equipment is not available, comparable instruments with equivalent specifications may be substituted. To ensure optimum results, the test must be performed at an ambient temperature of 22 to 24 degrees Celsius, with a relative humidity of less than 85 %. Also the instrument should be allowed to warm up for at least 30 minutes before starting the performance test.

If the instrument does not meet the performance test, troubleshooting, repair, and/or calibration adjustment is indicated. Procedures for calibration adjustment and troubleshooting are given later in this section of the manual.

#### **4-21. Initial Conditions**

Before starting the following procedures, condition the 5220A as follows:

1. Disconnect all input, output, and remote connections at the 5220A.
2. Install the top, bottom and inner covers if they have been removed.
3. Connect the unit to line power through an autotransformer set for the proper line voltage, and set the POWER switch to ON. Only the STANDBY and FRONT LEDs should light.
4. Allow the 5220A to warm up for at least 30 minutes before proceeding.

**4-22. Front Panel Tests**

Use the following procedure to check the operation of the 5220A front-panel controls and LEDs:

1. With the unit in the standby mode, connect jumper wires between the enabled (front/rear) output terminals. Use a 4-inch length of 16-gauge insulated wire.
2. Press the OPR/STDBY pushbutton. The OPR LED should light and the STDBY LED should go out.
3. Press the INPUT pushbutton to select the rear input.
4. Return input control to the front panel by pressing the INPUT pushbutton. The FRONT LED should light and the REAR LED should go out.
5. Remove the jumper wire from the output terminals. The unit should switch to the standby mode and the OVERCOMPLIANCE LED should light.
6. Reinstall the jumper wire at the output terminals.
7. Clear the overcompliance condition by pressing the OPR/STDBY switch. Set the unit to the operate mode.

**Caution**

**The THERMAL CUTOFF LED will light only when the output stage of the 5220A is overheated. This is a failure mode that should not be invoked for test purposes. The LOCAL pushbutton and the REMOTE, LOCAL LOCK OUT LEDs are remote control features that require remote commands for operation.**

**4-23. Zero Output**

The following procedure checks the zero output of the 5220A in both the standby and operate modes:

1. Connect the load resistor (0.1 ohm) to the enabled (front/rear) output terminals.
2. Connect the DVM to the sense terminals on the load resistor and select the 100 mV dc range.
3. With the 5220A in the standby mode, read the voltage drop across the load resistor. The reading should be 0 +/-5  $\mu$ V dc.
4. Connect a short jumper wire between the front VOLTAGE INPUT terminals.
5. Set the 5220A to the operate mode. The OPERATE LED should be on and the STANDBY LED off.
6. Read the output voltage on the DVM. It should be 0 +/-100  $\mu$ V dc.
7. Set the 5220A to standby and remove the jumper wire from the VOLTAGE INPUT terminals.
8. Disconnect the load resistor from the output terminals on the 5220A.

#### 4-24. DC Accuracy and Line Regulation

The following procedure is used to check the dc accuracy of the 5220A output current:

1. Connect the precision shunt to the enabled output terminals on the 5220A.
2. Connect the DVM to the sense terminals on the precision shunt. Observe polarity.
3. Set the DVM to the 200 mV dc range.
4. Connect the output of the dc voltage calibrator to the VOLTAGE INPUT terminals on the 5220A; positive to red, negative to black.
5. Set the dc voltage calibrator to the output shown in step 1 of Table 4-2 (+10.0000 V dc).
6. Set the 5220A to the operate mode.
7. Using the DVM reading and the calibrated shunt value, calculate the output current ( $I = E/R$ ). The calculated value should be within the limits shown in the table.
8. Vary the line voltage +10 % from nominal and verify a less than 0.001 % change in output current.
9. Sequentially set the calibrator output to the voltages shown in steps 2 and 3 of Table 4-2. At each voltage setting verify the 5220A output accuracy by repeating step 7 of this procedure.
10. Set the 5220A to the standby mode.
11. Set the dc voltage calibrator output to zero volts and disconnect it from the 5220A.
12. Disconnect the precision shunt from the 5220A output terminals.

Table 4-2. DC Accuracy Test

Step	DC Calibrator Output (V dc)	Calculated Output Current (Amps)
1	+10.0000	+9.9965 to +10.0035
2	+20.0000	+19.9940 to +20.0060
3	-10.0000	-10.0035 to -0.0065

#### 4-25. Harmonic Distortion

This procedure is used to measure the harmonic distortion present at the output of the 5220A.

1. Set the output of the ac voltage calibrator to zero and connect it to the 5220A VOLTAGE INPUT terminals.
2. Connect the load resistor (0.1 ohms) to the enabled (front/rear) output terminals.
3. Connect the distortion analyzer to load resistor sense terminals.
4. Set the ac voltage calibrator output to 20 V rms at 1 kHz.
5. Set the 5220A to the operate mode.
6. Measure the output distortion on the distortion analyzer. It should be less than or equal to 0.075 %.

*Note*

*Do not use input filters when making this measurement.*



7. Set the 5220A to the standby mode.
8. Disconnect the load resistor and the distortion analyzer from the 5220A output terminals.

#### 4-26. Frequency Response

*Note*

*When high ac currents at high frequencies are being used, and minimization of inductive coupling is required, it is recommended that you twist the current carrying leads between the 5220A and load. Also, any measuring instruments used with the load should be kept at least eighteen inches away from the load to prevent radiation from affecting its reading.*

The frequency response of the 5220A is checked using the following procedure:

1. Connect the precision shunt (.01 ohm) to the enabled (front/rear) output terminals.
2. Connect the true rms voltmeter to the sense terminals on the precision shunt.
3. Set the ac voltage calibrator output to the voltage and frequency shown in step 1 of Table 4-3 (20.0000 V @ 100 Hz).
4. Set the 5220A to the operate mode.
5. Read the true rms voltmeter and calculate the current. It should indicate a current within the limits shown for step 1.
6. Sequentially set the calibrator output to each of the frequencies shown in steps 2 through 5 of Table 4-3. At each frequency verify that the measured current is within the limits given for that step.
7. Set the 5220A to the standby mode.
8. Disconnect the precision shunt from the 5220A output terminals.

**Table 4-3. Frequency Response Test**

Step	AC Voltage Calibrator Output (V rms)	Measured Output Current (Amps)
1	20 V @ 100 Hz	19.970 to 20.030*
2	20 V @ 300 Hz	Reading 1 ±0.05 %
3	20 V @ 1 kHz	Reading 1 ±0.05 %
4	20 V @ 3 kHz	Reading 1 ±0.15 %
5	20 V @ 5 kHz	Reading 1 ±0.25 %
* Includes limit of errors: 1. 5220A 2. 5200A 3. Y5020 4. 931A		

#### 4-27. Overcurrent Trip Test

The following procedure will verify the accuracy of the overcurrent trip setting on the 5220A:

1. Connect the load resistor (0.1 ohm) to the enabled (front/rear) output terminals.
2. Set the output of the ac voltage calibrator to 20.0000 V rms.
3. Set the 5220A to the operate mode.

4. Increase the ac voltage calibrator output in 1.0V rms increments. The 5220A should switch to the standby mode at between 20.0 and 24.0 V rms. The OVERCURRENT LED should also light.
5. Set the ac voltage calibrator output to zero volts.
6. Disconnect the load resistor from the 5220A output terminals.

#### **4-28. Overvoltage Trip Test**

The following procedure is used to check the overvoltage trip setting on the 5220A:

1. Connect a 1 ohm  $\pm 5\%$ , 10 W resistor (Dale RH-10) to the enabled (front/rear) output terminals on the 5220A.
2. Set the output of the 5220A to 3.0000 V rms.
3. Set the 5220A to the operate mode.
4. Increase the ac voltage calibrator output in 0.1 V rms increments. The 5220A should switch to the standby mode with an input of 3.1 to 3.5 V rms. The OVERVOLTAGE LED should also light.
5. Set the ac voltage calibrator output to zero volts and disconnect the unit from the 5220A.
6. Remove the 1 ohm, 10 W resistor from the 5220A output terminals.
7. Set the 5220A POWER switch to OFF.

#### **4-29. Calibration Adjustments**

The calibration adjustment procedures given in the following paragraphs should be performed after repair of the 5220A and/or when the unit fails the performance-test requirements. If the unit will not respond to, or meet the limits of the adjustment procedures, troubleshooting and repair is indicated. Equipment required for the calibration adjustments is listed earlier in Table 4-1.

All calibration adjustments are accessible when the top and large inner covers are removed from the 5220A. Figure 4-1 identifies the location of the assemblies, test points, and adjustments that must be accessed to complete the calibration adjustment procedures.

To ensure optimum results, the calibration adjustments must be performed at an ambient temperature of 22 to 24 degrees Celsius, with a relative humidity of less than 85 %. Also the unit should be allowed to warmup in the operate mode (with the top cover in place) for at least 30 minutes before starting the adjustment procedures.

**4-30. Initial Conditions**

Before starting the following procedures, condition the 5220A as follows:

1. Disconnect all input and remote connections to the 5220A, and connect a short jumper wire between the selected output terminals.
2. Connect the unit to line power and set the POWER switch to ON. Only the STDBY and FRONT LEDs should light.
3. Set the 5220A to the operate mode and allow it to warmup for at least 30 minutes.
4. Remove the top and large inner cover from the unit, and complete the following procedures.

**4-31. Input Offset Adjustment**

The following procedure is used to adjust input offset (R6) on the A5 Preamplifier PCB Assembly:

1. Connect the load resistor (0.1 ohm) to the enabled (front/rear) 5220A output terminals.
2. Connect the DVM to the sense terminals on the load resistor and select the 100 mV dc range.
3. Connect a short jumper wire between the front VOLTAGE INPUT terminals.
4. Set the 5220A to the operate mode.
5. Adjust R6 on the A5 Preamplifier PCB Assembly for a DVM reading of  $-.010$  to  $-.010$  mV dc ( $0 +10 \mu\text{V}$  dc).
6. Set the 5220A to the standby mode.

**4-32. Driver Offset Adjustment**

The following procedure is used to adjust input offset (R6) on the A6 Driver PCB Assembly. The procedure is accomplished with the 5220A in the standby mode:

1. Jumper test lead between TP7 (-15 V dc) on the A4 Regulator and TP4 (Turn on 1) on the A8 Analog Control. This enables the A8 Analog Control and A7 Output while the A5 Preamplifier is clamped to zero (standby).
2. Adjust R6 on the A6 Driver for a DVM reading of  $-1.000$  to  $+1.000$  mV dc.
3. Disconnect the test lead from TP4 and TP7.
4. Remove the load resistor from the 5220A output terminals.
5. Remove the jumper wire from the front-panel VOLTAGE INPUT terminals.

**4-33. Output Bias Adjustment**

This procedure is used to adjust the bias current for both the A6 Driver and the A7 Output. The bias adjustment (R13) is located on the A6 Driver PCB Assembly.

1. Connect the ac voltage calibrator to the front-panel VOLTAGE INPUT terminals on the 5220A.
2. Connect the load resistor (.1 ohm) to the enabled output terminals on the 5220A.
3. Connect the distortion analyzer input to the sense terminals on the load resistor.
4. Set the ac voltage calibrator for a 20 V rms, 1 kHz output.
5. Set the 5220A to the operate mode.
6. Measure the distortion and adjust R13 for a minimum indication. At the final setting, distortion should measure less than 0.04 %.
7. Set the 5220A to the standby mode.
8. Disconnect the distortion analyzer and the load resistor from the 5220A.

**4-34. DC Accuracy Adjustment**

This procedure is used to adjust R3 on the A5 Preamplifier PCB Assembly. This adjustment controls the accuracy of the dc output current.

1. Connect the precision shunt (.01 ohm) to the enabled output terminals on the 5220A.
2. Connect the DVM to the sense terminals on the precision shunt. Observe polarity.
3. Connect the output of the dc voltage calibrator to the VOLTAGE INPUT terminals on the 5220A; positive to red, negative to black.
4. Set the dc voltage calibrator for an output of +10.0000 V dc.
5. Set the 5220A to the operate mode.
6. Adjust R3 on the A5 Preamplifier for a voltage reading in millivolts that is 10 times the calibrated value of the precision shunt in milliohms. The adjustment should be within +0.002 mV dc of the calculated value. For example: if the calibrated value of the shunt is 0.0100253, adjust R3 for a DVM reading of .100253 V dc or 100.253 +0.002 mV dc.
7. Set the 5220A to the standby mode.
8. Disconnect both the dc voltage calibrator and the precision shunt from the 5220A.

**4-35. Frequency Response**

The following procedure is used to adjust the frequency response of the 5220A. The adjustment is made at C4 on the A5 Preamplifier PCB Assembly.

1. Connect the precision shunt to the enabled output terminals on the 5220A.
2. Connect the true rms voltmeter to the sense terminals on the precision shunt.
3. Set the output of the ac voltage calibrator to 10 V rms, 1 kHz.
4. Set the 5220A to the operate mode.
5. Note the reading on the rms voltmeter.
6. Change the frequency of the calibrator output to 5 kHz.
7. Adjust trimmer capacitor C4 on the A5 Preamplifier PCB to obtain the same reading on the rms voltmeter as that noted in step 5.

8. Set the 5220A to the standby mode.
9. Disconnect the shunt and voltmeter from the 5220A output terminals.

#### **4-36. Overcurrent Adjustment**

This procedure is used to adjust the overcurrent trip level of the 5220A. The overcurrent adjustment (R21) is located on the A8 Analog Control PCB Assembly.

1. Connect the load resistor (0.1 ohm) to the enabled output terminals on the 5220A.
2. Set the calibrator output to 23.5 V rms, 50 Hz.
3. Set the 5220A to the operate mode. If the unit switches back to standby, turn R21 (on the A8 Analog Control PCB Assembly) counterclockwise until the operate mode can be enabled.
4. Adjust R21 clockwise until the 5220A switches to the standby mode. Both the STDBY and OVERCURRENT LEDs should light.
5. Disconnect the 0.1 ohm load resistor from the 5220A output terminals.

#### **4-37. Overvoltage Adjustment**

This procedure is used to adjust the overvoltage trip level for the 5220A. The overvoltage adjustment (R9) is located on the A8 Analog Control PCB Assembly.

1. Connect the 1 ohm load resistor to the enabled output terminals on the 5220A.
2. Set the ac voltage calibrator output for 3.3 V rms, 50 Hz.
3. Set the 5220A to the operate mode. If the unit switches back to standby, turn R9 (on the A8 Analog Control PCB Assembly) counterclockwise until the operate mode can be enabled.
4. Adjust R9 clockwise until the 5220A switches to the standby mode. Both the STDBY and OVERCOMPLIANCE LEDs should light.
5. Disconnect the load resistor and the ac voltage calibrator from the 5220A.
6. Set the 5220A POWER switch to OFF.
7. Disconnect the unit from line power.
8. Install the inner cover and top cover on the 5220A.

#### **4-38. Replacement of Selected Components**

The A5 Preamplifier PCB Assembly contains a series of three selected parts that may have to be changed after repairs have been made on the PCB. All three selected parts are resistors. Two (R11, R12) are associated with the Input Offset Adjustment (R6); the third (R13) affects the DC Accuracy Adjustment (R3). Resistors R11 and R12 are selected to place R6 at approximately midrange when it is properly adjusted. Resistor R13 is selected to accomplish the same thing for R3. When the travel of either R3 or R6 limits proper adjustment, the associated selected resistor(s) should be replaced. Follow the appropriate procedure for parts selection.

**4-39. Resistors R11 and R12**

Resistors R11 and R12 are associated with the Input Offset Adjustment procedure and the setting of the ZERO ADJ potentiometer R6. Use the following procedure to select the proper replacements for R11 and R12:

1. Disconnect the 5220A from line power.
2. Remove the top and large inner covers from the unit.
3. Remove the two fuses (F1 and F2) from the A3 Cap Bus PCB Assembly.
4. Mount the A5 Preamplifier PCB Assembly on the extender board and install jumper wires on the PCB at the following points:
  - a. TP1 to TP5
  - b. TP3 to TP4
  - c. Short across R11
  - d. Short across R12
5. Disconnect the red and black Current Shunt sense lead from the motherboard (connections are located near the A5 Preamplifier connector). On A8 the Analog Control, short TP9 to TP13 to prevent a false overcurrent trip.
6. Set the digital voltmeter to the 100 mV dc range and connect its input to TP4(+) and TP5(-) on the A5 Preamplifier PCB Assembly.
7. Adjust R6 on the A5 Preamplifier to the full ccw (counterclockwise) position.
8. Connect the 5220A to line power and set the POWER switch to ON.
9. Select the operate mode using the STDBY/OPR switch.
10. Note the DVM reading. It should read within the range of +/-1.300 mV dc.
11. Adjust R6 on the A5 Preamplifier PCB to the full cw (clockwise) position and note the reading. The DVM reading should increase in a positive direction.
12. Calculate the difference between the DVM readings taken in steps 10 and 11. The difference should be 350  $\mu$ V +/- 70  $\mu$ V dc.
13. Determine the average reading of steps 10 and 11 and adjust R6 for that reading on the DVM. Then perform step a, b, or c as required:
  - a. If the DVM reading is within the range of +/-0.087 mV dc, replace both R11 and R12 with shorting wires (0  $\Omega$ ).
  - b. If the DVM reading is negative, refer to Table 4-4, and replace R12 with the appropriate resistor. Replace R11 with a shorting wire.
  - c. If the DVM reading is positive, refer to Table 4-4 and replace R11 with the appropriate resistor. Replace R12 with a shorting wire.
14. Set the POWER switch to OFF and disconnect the 5220A from line power.
15. Install the two fuses (F1 and F2) on the A3 Cap Bus PCB Assembly.
16. Remove the jumpers from TP1-TP5 and TP3-TP4.
17. Disconnect the DVM from TP4 and TP5.
18. Remove the A5 Preamplifier PCB from the extender board.
19. Reconnect the red and black current shunt sense leads to the motherboard.
20. Install the A5 Preamplifier PCB Assembly in its slot.
21. Perform the Calibration Adjustment procedures.

**Table 4-4. Replacement Resistors for R11 and R12**

DVM Reading ( $\pm$ mV dc)	Selected Value for R11/R12	Fluke Part Number
0.87 to 0.174	1.00 k $\Omega$	168229
0.175 to 0.261	2.00 k $\Omega$	235226
0.262 to 0.348	3.01 k $\Omega$	312645
0.349 to 0.435	4.02 k $\Omega$	235325
0.436 to 0.522	4.99 k $\Omega$	168252
0.523 to 0.609	6.04 k $\Omega$	285189
0.610 to 0.696	6.98 k $\Omega$	261685
0.697 to 0.783	8.06 k $\Omega$	347229

**4-40. Resistor R13**

Resistor R13 is associated with the DC Accuracy Adjustment procedure and the setting of the GAIN ADJ potentiometer R3. Use the following procedure to select the proper replacement for R13:

1. Disconnect the 5220A from line power.
2. Remove the top and large inner covers from the unit.
3. Connect the precision shunt (.01 ohm) to the enabled output terminals of the 5220A.
4. Connect the DVM to the sense terminals on the precision shunt; observe polarity. Set the DVM to the 100 mV range and zero the display  $\pm$ .001 mV.
5. Connect the output of the dc voltage calibrator to the VOLTAGE INPUT terminals on the 5220A; positive to red, negative to black.
6. Adjust R3 on the A5 Preamplifier to its full cw limit.
7. Install a shorting wire across R13 on the A5 Preamplifier PCB Assembly.
8. Connect the 5220A to line power and set the POWER switch to ON.
9. Set the calibrator for an output of +10.0000 V dc.
10. Set the 5220A to the operate mode.
11. Determine the actual value of the precision shunt (calibrated value) and subtract it from .01 ohms. Multiply this difference by 10,000 and record the result.
12. Record the displayed DVM reading in mV and add the result of step 11 from the reading. Use this corrected DVM reading in conjunction with Table 4-5, to select the value of R13.

For example:

Given: Shunt Value = .0100123  $\Omega$

DVM Reading = 101.041 mV dc

Corrected DVM Reading = 101.041 + 10000 (.01-.010012)

Corrected DVM Reading = 100.918 mV dc

R13 = 698 ohms (see Table 4-5.)

13. Set the POWER switch on the 5220A to OFF and replace R13 on the A5 Preamplifier PCB with the selected value.
14. Perform the Calibration Adjustment procedures.

Table 4-5. Replacement Resistors for R13

Corrected DVM Indication (mV dc)	Selected Value for R13 ( $\Omega$ )	Fluke Part Number
102.000 to 101.800	1740 $\Omega$	357756
101.800 to 101.600	1500 $\Omega$	376947
101.600 to 101.400	1282 $\Omega$	330472
101.400 to 101.200	1100 $\Omega$	347161
101.200 to 101.000	900 $\Omega$	460519
101.000 to 100.800	698 $\Omega$	289330
100.800 to 100.600	499 $\Omega$	289256
100.600 to 100.400	301 $\Omega$	289173
100.400 to 100.200	100 $\Omega$	357400
100.200 to 100.000	0 $\Omega$	NA

## 4-41. Troubleshooting

### Caution

**Static discharge can damage MOS components contained in the 5220A. To prevent this possibility use the following precautions when troubleshooting and/or repairing the unit.**

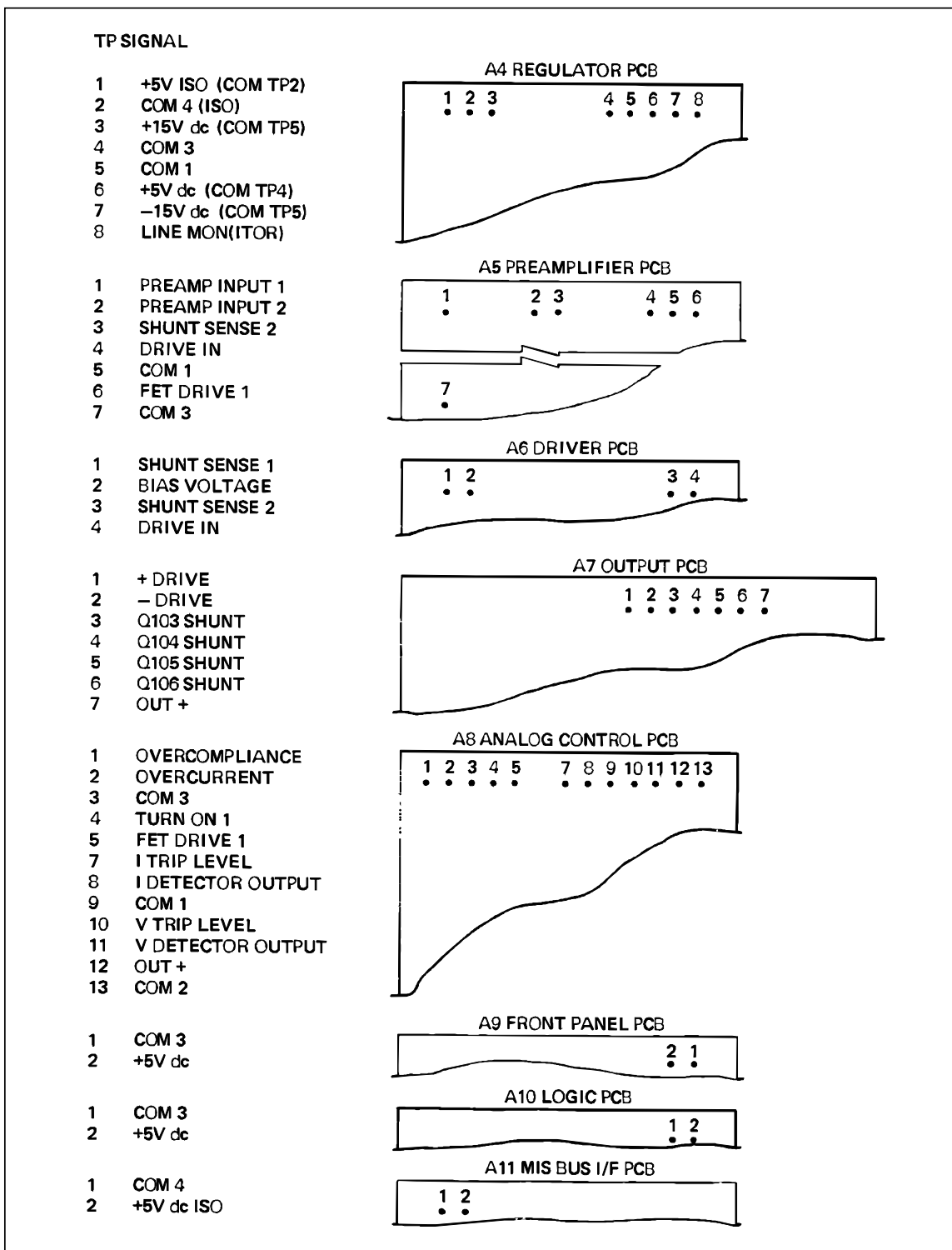
- Never remove, install, or otherwise connect, or disconnect PCBs and/or components without disconnecting, the unit from line power.
- Perform all repairs at a static-free work station.
- Do not handle ICs or PCBs by their connectors.
- Use static ground straps to discharge repair personnel.
- Use conductive foam to store replacement or removed ICs.
- Remove all plastic, vinyl, and Styrofoam products from the work area.
- Use a grounded soldering iron.

A troubleshooting guide for the 5220A is given in Table 4-4 and 4-5. The guide is in the form of a tabular flow chart and is recommended for use in isolating a mainframe malfunction to the PCB (board) level. Details necessary to troubleshoot faulty PCBs to the component level can be derived from the schematic diagrams given in Section 8, and the theory of operation in Section 3.

When using the troubleshooting guides, the following notes apply:

- Do not start in the middle of the procedure. Any given step assumes that the previous steps have been completed. Complete Table 4-4 before going on to Table 4-5.
- All measurements using external test equipment are made at test points on the various PCB assemblies. See Figure 4-3 for test point location/identification.





ajs17f.wmf

Figure 4-3. Test Point Location/Identification

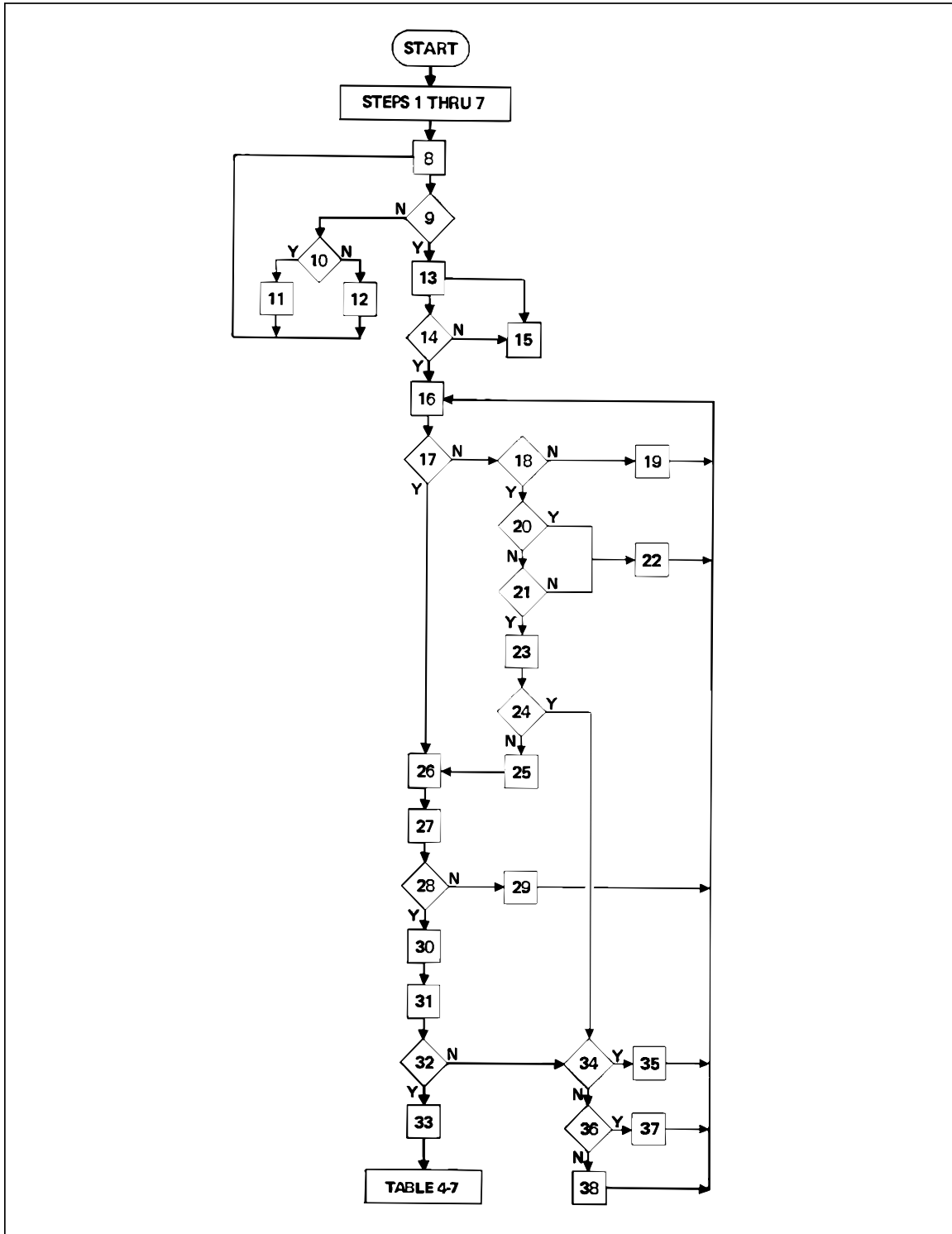


Figure 4-4. Flowchart Summary of Mainframe and Digital Section Troubleshooting Guide

ajs18f.wmf

**Table 4-6. Mainframe and Digital Section Troubleshooting Guide**

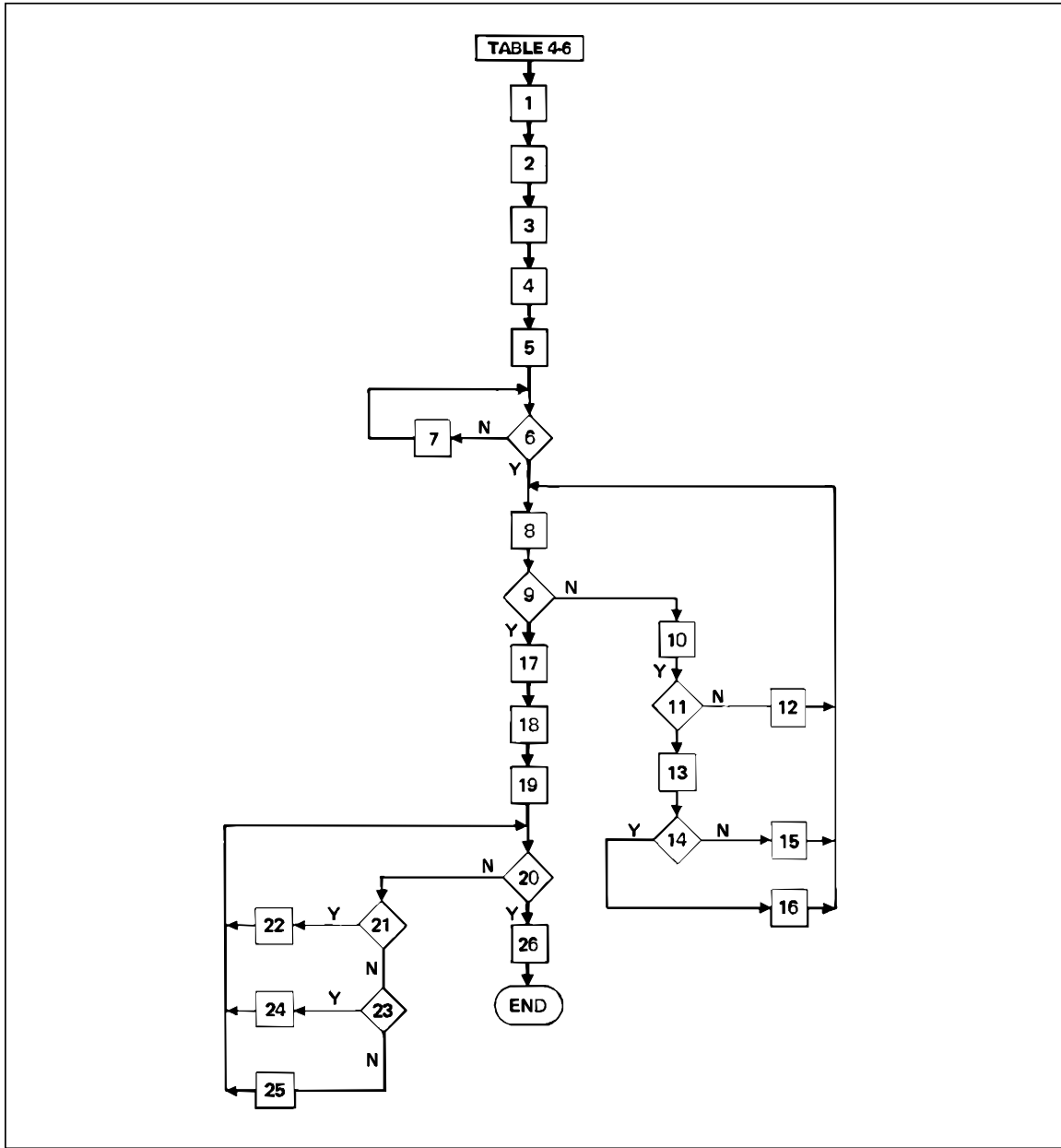
Step	Instruction	Yes	No	Go to
1	Set the 5220A POWER switch to OFF and disconnect the unit from line power.			2
2	Remove the top cover and the large inner cover from the 5220A.			3
3	Visually inspect the internal fuses (F2 through F7) and replace as required.			4
4	Connect a shorting jumper between the front panel VOLTAGE INPUT terminals.			5
5	Check to ensure that all PCB assemblies are securely installed in the correct locations. See Figure 4-1.			6
6	Determine the enabled output terminals by visually identifying the position of the front/rear output jumper screws. Tighten these screws if they are loose.			7
7	Connect a shorting jumper between the enabled output terminals.			8
8	Connect the 5220A to line power and set the POWER switch to ON.			9
9	Is the fan running?	13	10	
10	Are any of the front panel LEDs lit?	11	12	
11	Loose fan connections or defective fan. Repair as required.			8
12	Check the line power fuse and replace if necessary. If fuse continues to blow, locate short in input power circuit/transformer assembly. Check the position of the line voltage switches on the transformer assembly.			
13	Using a dc voltmeter, verify the presence of all power supply voltages at the A4 Regulator PCB and the A3 Cap Bus. Test points are provided on the A4 Regulator PCB. Measure the A3 Cap Bus outputs ( $\pm 12$ V dc) at the bus bar terminals on that assembly with respect to COM 2 (the ground plane on top of the A3 Cap Bus PCB).			
	<b>Voltage</b>	<b>Test Points</b>		<b>Limits</b>
		<b>Hi</b>	<b>Lo</b>	
		<b>A4 Regulator</b>		
	+15 V	3	5	+14.4 V to +15.6 V dc
	-15 V	7	5	-15.6 V to -14.4 V dc
	+5 V ISO	1	2	+4.8 V to +5.2 V dc
	+5 V	6	4	+4.8 V to +5.2 V dc
		<b>A3 Cap Bus</b>		
	+12 V	-	-	+10.5 V to +13.5 V dc
	- 12 V	-	-	-12.5 V to -10.5 V dc
14	Are all voltages within limits?	16	15	

Table 4-6. Mainframe and Digital Section Troubleshooting Guide (cont.)

Step	Instruction	Yes	No	Go to
15	Check the line voltage switch settings on A2 Transformer Assembly. They should be set to comply with the local line voltage. If some voltages are in limits and some are out, the problem is on the A4 Regulator or the A3 Cap Bus. If a voltage is low, check for power supply loading. If a voltage is high, the regulator IC is likely the cause.			
	<b>Front Panel Tests</b>			
16	Complete the Front Panel Tests described earlier under Performance Test.			17
17	Does the 5220A respond as described in the Front Panel Tests?			
18	Do one or more LEDs light?	20	19	
19	Operating voltage (+5 V dc) is not present at either the A9 Front Panel PCB or the A10 Logic PCB. Repair as required.			
20	Can the standby/operate modes be selected?			
	<i>Note</i> <i>The jumper wire must be installed between the enabled output terminals.</i>			
21	Is the OVERCURRENT or OVERCOMPLIANCE LED lit?	23	22	
22	Defective switch, LED, or standby/operate circuit (on the A10 Logic PCB).			16
23	Set the POWER switch to OFF, then ON.			
24	Is the OVERCURRENT or OVERCOMPLIANCE LED lit?	34	25	
25	Connect a 0.1 $\Omega$ resistor between the selected output terminals, then connect a DVM across the 0.1 $\Omega$ resistor.			26
26	Connect a jumper wire between TP4 (Turn on 1) on the A8 Analog Control PCB and TP7 (-15 V) on the A4 Regulator PCB.			27
27	With the 5220A in standby, adjust R6 on the A6 Driver for a DVM reading of 0 V $\pm$ 1.0 mV.			28
28	Can a 0 V DVM reading be obtained?	30	29	
29	The A6 Driver and/or A7 Output Assemblies are defective. Repair as required.			16
30	The A6 Driver and A7 Output Assemblies are functional. Remove the jumper from between TP4 and the A8 Analog Control PCB and TP17 on the A4 Regulator.			31
31	Press the STBY/OPR switch.			32
32	Can the operate mode be selected?	33	34	

**Table 4-6. Mainframe and Digital Section Troubleshooting Guide (cont.)**

Step	Instruction	Yes	No	Go to
33	The mainframe and digital section are operational; the transconductance amplifier (A5, A6, A7) is defective. Check out and repair the transconductance amplifier using Table 4-7, Analog Section Troubleshooting Guide.			16
34	Is OVERCURRENT LED lit?	35	36	
35	Check the following and repair as required: 1. Open feedback loop, current shunt to A5 Preamp. amplifier. 2. Overcurrent detector on A8 PCB. 3. Failure status logic on A10 PCB. 4. Defective A5 Preamp. PCB.			
36	Is OVERCOMPLIANCE LED lit?	37	38	
37	Check the following and repair as required: 1. Overvoltage detector on A8 PCB. 2. Open loop on transconductance amplifier (A5, A6, A7 PCBs). 3. Failure status circuit on the A10 PCB. 4. Open load or open circuit between output amplifier and output terminals.			16
38	Check timing logic on the A10 Logic PCB, and the level shifters on the A8 Analog Control PCB. Repair as required.			16



ajs19f.wmf

Figure 4-5. Flowchart Summary of Analog Section Troubleshooting Guide

**Table 4-7. Analog Section Troubleshooting Guide**

Step	Instruction	Yes	No	Go to
1	Complete the troubleshooting procedure given in Table 4-6.			2
2	Set the 5220A POWER switch to OFF.			3
3	Connect a jumper wire between the front panel VOLTAGE INPUT terminals.			4
4	Connect a 0.1 $\Omega$ resistor between the selected output terminals, then connect a DVM across the 0.1 $\Omega$ resistor.			5
5	Set the POWER switch to ON and select the operate mode.			6
6	Does the 5220A remain in the operate mode?	8	9	
7	If the 5220A trips to standby and indicates an overcompliance or overcurrent condition, the A5 Preamplifier PCB is at fault. Check voltage levels on the active components on the A5 preamplifier PCB while the unit is in standby. Repair as required.			8
8	Using a tuning tool, adjust R1, Zero Adjust, on the A5 Preamplifier PCB for a DVM reading of 0 V $\pm 3 \mu\text{V}$ dc. The adjustment should cover a range of 0 V $\pm 5 \mu\text{V}$ .			9
9	Can R6 be adjusted for a DVM reading of 0 V $\pm 3 \mu\text{V}$ ?	17	10	
10	Connect the DVM from TP4 (high) to TP5 (low) on the A5 Preamplifier PCB Assembly. With the 5220A in the operate mode the DVM should read $-15$ V dc.			11
11	Does the DVM read $-15$ V dc?	13	14	
12	Troubleshoot the Turn on 1 circuit starting with the level-shifting transistors Q3 and Q4 on the A8 Analog Control PCB Assembly. Then check for a T1 output from U22 on the A10 Logic PCB Assembly. Repair as required.			
13	Connect the DVM from TP6 (high) to TP5 (low) on the A5 Preamplifier PCB Assembly. With the 5220A in the operate mode, the DVM should read $-15$ V dc.			14
14	Does the DVM read $-15$ V dc?	16	15	
15	Troubleshoot the FET Drive 1 circuit starting with the level-shifting transistors Q1 and Q2 on the A8 Analog Control PCB Assembly. Then check for a T2 output from U22 on the A10 Logic PCB Assembly. Repair as required.			8
16	The A5 Preamplifier PCB Assembly is defective. Check voltage levels on the active components on the A5 Preamplifier while the unit is in standby. Repair as required.			8
17	The A5 Preamplifier, A6 Driver, and A7 Output stages are operating properly. Set the 5220A to standby, remove and replace the front panel short at the VOLTAGE INPUT terminals with a 1.0 V dc voltage source; positive to red, negative to black.			18
18	Reconnect the DVM across the 0.1 $\Omega$ resistor to the output terminals.			19

Table 4-7. Analog Section Troubleshooting Guide (cont.)

Step	Instruction	Yes	No	Go to
19	Set the 5220A to the operate mode and read the DVM.			20
20	Does the DVM read approximately +0.1 V dc?	26	22	
21	Does the DVM read approximately 0 V?	22	23	
22	Check relay K1 and associated drive circuits on the A5 Preamplifier PCB Assembly. Also check resistors R1, R2, and R13 for open circuits. If these are OK, check the Relay 1 drive signal from the A10 Logic PCB Assembly.			
23	Is the DVM reading greater than 0.010 V dc?	24	25	
24	The A6 Driver or A7 Output stage is defective. Check voltage levels on active components to isolate the fault. Repair as required.			20
25	The A5 preamplifier is defective. Check voltage levels on active components to isolate the fault. Repair as required.			20
26	The 5220A is operational. Verify instrument compliance with published specifications by completing the Performance Test given earlier in this section of the manual.			-



## **Section 5**


# **List of Replaceable Parts**

### **5-1. Introduction**

This section contains an illustrated list of replaceable parts for 5220A. Parts are listed by assembly; alphabetized by reference designator. Each assembly is accompanied by an illustration showing the location of each part and its reference designator. The parts lists give the following information:

- Reference designator
- An indication if the part is subject to damage by static discharge
- Description
- Fluke stock number
- Total quantity
- Any special notes (i.e., factory-selected part)

#### **Caution**

A  symbol indicates a device that may be damaged by static discharge.

### **5-2. How to Obtain Parts**

Electrical components may be ordered directly from the manufacturer by using the manufacturer's part number, or from the Fluke Corporation and its authorized representatives by using the part number under the heading FLUKE STOCK NO. In the U.S., order directly from the Fluke Parts Dept. by calling 1-800-526-4731. Parts price information is available from the Fluke Corporation or its representatives. Prices are also available in a Fluke Replacement Parts Catalog which is available on request.

In the event that the part ordered has been replaced by a new or improved part, the replacement will be accompanied by an explanatory note and installation instructions, if necessary.

To ensure prompt delivery of the correct part, include the following information when you place an order:

- Part number and revision level of the PCA containing the part.
- Reference designator

- Fluke stock number
- Description (as given under the Description heading)
- Quantity
- Instrument Model, Serial Number, and Firmware Numbers

### 5-3. Manual Status Information

The Manual Status Information table that precedes the parts list defines the assembly revision levels that are documented in the manual. Revision levels are printed on the component side of each PCA.

### 5-4. Newer Instruments

Changes and improvements made to the instrument are identified by incrementing the revision letter marked on the affected PCA. These changes are documented on a manual supplement which, when applicable, is included with the manual.

### 5-5. Service Centers

To locate an authorized service center, call Fluke using any of the phone numbers listed below, or visit us on the World Wide Web: [www.fluke.com](http://www.fluke.com)

- 1-800-443-5853 in U.S.A and Canada
- 31 40 267 8200 in Europe
- 1-425-356-5500 from other countries



Note

*This instrument may contain a Nickel-Cadmium battery. Do not mix with the solid waste stream. Spent batteries should be disposed of by a qualified recycler or hazardous materials handler. Contact your authorized Fluke service center for recycling information.*

### **⚠ Warning**










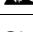



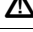
**This instrument contains two fusible resistors (PN 650085). To ensure safety, use exact replacement only.**

Manual Status Information

Ref. or Option No.	Assembly Name	Fluke Part No.	Revision Level
A1	Motherboard PCB Assembly	491209	D
A3	Capacitor Bus PCB Assembly	497446	—
A4	Regulator PCB Assembly	489690	E
A5	Preamplifier PCB Assembly	487702	T
A6	Driver PCB Assembly	540146	E
A7	Output PCB Assembly	540138	F
A8	Analog Control PCB Assembly	491241	G
A9	Front Panel PCB Assembly	491217	B
A10	Logic PCB Assembly	491258	G

A11	MIS Bus Interface PCB Assembly	491266	C
A13	Output Termination PCB Assembly	491274	B

Table 5-1. 5220A Final Assembly

Reference Designator	Description	Fluke Part No.	Total Quantity
A1	 Motherboard PCB Assembly	491209	1
A2	Power Transformer Assembly	491282	1
A3	 Capacitor Bus PCB Assembly	476994	1
A4	 Regulator PCB Assembly	489690	1
A5	 Preamplifier PCB Assembly	947205	1
A6	 Driver PCB Assembly	540146	1
A7	 Output PCB Assembly	540138	1
A8	 Analog Control PCB Assembly	491241	1
A9	 Front Panel PCB Assembly	491217	1
A10	 Logic PCB Assembly	491258	1
A11	 MIS Bus Interface PCB Assembly	491266	1
A12	Shunt Assembly	491290	1
A13	 Output Termination PCB Assembly	491274	2
A14	 Extender PCB Assembly	486217	1
B1	Venturi Muffin Fan, 4.5 in	103374	1
C1-C8	Capacitor, AL, 50,000 $\mu$ F, +100-10 %, 15 V, Hi Term.	423525	8
C9	Capacitor, CER, 0.05 $\mu$ F, +80-20 %, 1,000 V, Z5U	355420	1
CR1, CR3	Diode, SI, 50 PIV, 20.0 A	483206	2
CR2, CR4	Diode, SI, 50 PIV, 20.0 A	483214	2
E1, E2	Terminal Ring, 0.087 & 0.195, Solder	101048	2
F1	 Fuse, 0.25 x 1.25, 3 A, 250 V, Slow	109280	1
F2, F3	 Fuse 0.25 x 1.25, 30 A, 32 V, Fast	500793	2
H1	Screw, Cap, Sckt, Steel, 8-32 x 0.375	295105	8
H2	Screw, Machine, FH, P, Steel, 8-32 x 0.312	281725	14
H3	Screw, Machine, FHU, P, SS, 6-32 x 0.250	320093	16
H4	Screw, Machine, PH, P, Steel, 6-32 x 0.250	152140	80
H5	Screw, Machine, FH, P, Steel, 8-32 x 0.375	114116	8
H6	Nut, Machine, Hex, Nylon, 8-32	110593	8
H7	Screw, Machine, PH, P, Steel, 6-32 x 0.375	152165	10
H8	Screw, Machine, RHSL, Nylon, 8-32 x 1/2	501569	4
H9	Washer, Lock, Internal, Steel, 0.267 ID	110817	4
H10	Nut, Machine, Hex, BR, 10-32	529032	2

**Table 5-1. 5220A Final Assembly (cont.)**


Reference Designator	Description	Fluke Part No.	Total Quantity
H11	Washer, Lock, Internal, Steel, #4	110403	2
H12	Nut, Machine, Hex, Steel, 4-40	110635	2
H13	Screw, Machine, PH, P, Steel, 6-32 x 0.500	152173	13
H14	Nut, Machine, Hex, BR, 1/4-28	110619	9
H15	Washer, Shoulder, Fiber, 0.250 ID	110833	4
H16	Screw, Machine, PH, P, Steel, 8-32 x 0.500	159749	5
H17	Nut, Machine, Hex, Steel, 8-32	110544	10
H18	Screw, Machine, PH, P, Steel, 10-32 x 0.375	114314	16
H19	Washer, Flat, Steel, 0.265, 0.500, 0.031	110718	4
H20	Washer, Flat, Teflon, 0.366 x 0.266 x 0.050	543314	4
H21	Screw, Machine, PH, P, Steel, 6-32 x 0.625	152181	8
H22	Screw, Machine, PH, P, Steel, 6-32 x 1.500	114181	4
H23	Screw, Machine, PH, P, Steel, 8-32 x 0.375	114124	14
H24	Screw, Machine, PH, P, Steel, 10-32 x 0.625	114066	4
H25	Washer, Lock, External, Steel, 0.500	175943	1
MP1	Panel, Front	479618	1
MP2	Corner Handle, Front, 7 in	394320	2
MP3	Cover, Top	522524	1
MP4	Bracket, Front Panel	486068	2
MP5	Cover, Power Supply	489500	1
MP6	M07-800-415 Decal Covers, Plastic	394403	4
MP7	Plastic Part, Hole Plug, Polyethylene, 0.312	187799	7
MP8	Cover Plate, Digital Connector	502781	1
MP9	Side Trim-21 in	526004	2
MP10	Panel, Rear	485888	1
MP11	Shim, Rear Corner	486050	2
MP12	Corner, Rear	486076	2
MP13	Decal, Rear	502799	1
MP14	Plate, Rear Output	485995	1
MP15	Plate, Front Output	485987	1
MP16	Output Bus, Minus	489526	1
MP17	Output Bus, Plus- Forward	486534	1

Table 5-1. 5520A Final Assembly (cont.)

Reference Designator	Description	Fluke Part No.	Total Quantity
MP18	Output Bus, Plus- Aft	486542	1
MP19	Output Bus, Spacer	486559	1
MP20	Assembly, Red 10-32 Binding Post Bracket	794404	2
MP21	Assembly, Black 10-32 Binding Post Bracket	794412	2
MP22	Shunt Bus, Minus	490524	1
MP23	Shunt Bus, Plus	497974	1
MP24 <sup>1</sup>	Banana Jack, Panel	101550	4
MP25	Spacer, Round, Nylon, 6-32 x 1.063	104174	4
MP26	Bracket, Fan & Power Supply	485953	1
MP27	Cable Tie, 4.0 Length, 0.100 Width, 0.75 Diameter	172080	2
MP28	Binding Post Part, Head, Brass, 1/4-28	102889	1
MP29	Bushing, Snap-in, Nylon, 0.250 ID	102996	1
MP30	Terminal, Insulated, Standoff, Bifurcated	271650	2
MP31	Power Plug, Panel, 6 A, 250 V, 3-wire	284166	1
MP32	Card Guide, Nylon, 4.50 x 0.076 2-snap	256461	12
MP33	Binding Post, Brass, 1/4-28	102707	1
MP34	Holder Part, Fuse, Cap, 1/4 x 1-1/4	460238	1
MP35	Heatsink, Diode	502179	1
MP36	Insulating Part, Diode, Silicone, Washer	500785	4
MP37	Bus, Capacitor	497982	1
MP38	Chassis Side, Left	485896	1
MP39	Chassis Side, Right	485904	1
MP40	Chassis, Bottom	485912	1
MP41	Bulkhead, Front	485920	1
MP42	Bulkhead, Rear	485938	1
MP43	Partition, Rear	485946	1
MP44	Capacitor Tray	486035	1
MP45	Plate, Front Input	485979	1
MP46	Assembly, Red 6-32 Binding Post Bracket	794453	1
MP47	Assembly, Black 6-32 Binding Post Bracket	794461	1
MP48	Fan Accessory, Filter, AL with Foam	542118	1
MP49	Cover, Bottom	522532	1

Table 5-1. 5220A Final Assembly (cont.)

Reference Designator	Description	Fluke Part No.	Total Quantity
MP50	Foot, Bail Stand	292870	4
MP51	Spacer, Capacitor	489484	2
MP52	Filter, Retainer	576967	1
MP54	Nameplate, 0.350 x 1.3, Serial Number	472795	1
MP55	Cover, Shunt	489948	1
R2, R5	Resistor, CC, 100, $\pm 10\%$ , 2 W	109934	2
TM1	5220A Instruction Manual	491936	1
VR1, VR2 <sup>2</sup>	Zener, Transient Suppressor, 7.5 V, 10 %	904896	2
W1	Line Cord, 5-15/IEC, 3-18 AWG, SVT, 7.5 ft	284174	1
W2	Cable, Fan/Power	491308	1
W3	Fan-Cable	629188	1
XF1	Holder Part, Fuse, Body, 1/4 x 1-1/4, 5 x 20 mm	460329	1
XF2, XF3	Fuse, Clip, PCB, 1/4 x 1-1/4	756460	4
Not Shown	Recommended Spare Parts Kit	756460	-

 Indicates a static-sensitive part.

1. This item consists of a plug, a washer, and a hex nut.
2. These parts are located on the A1 Motherboard pcb assembly schematic.

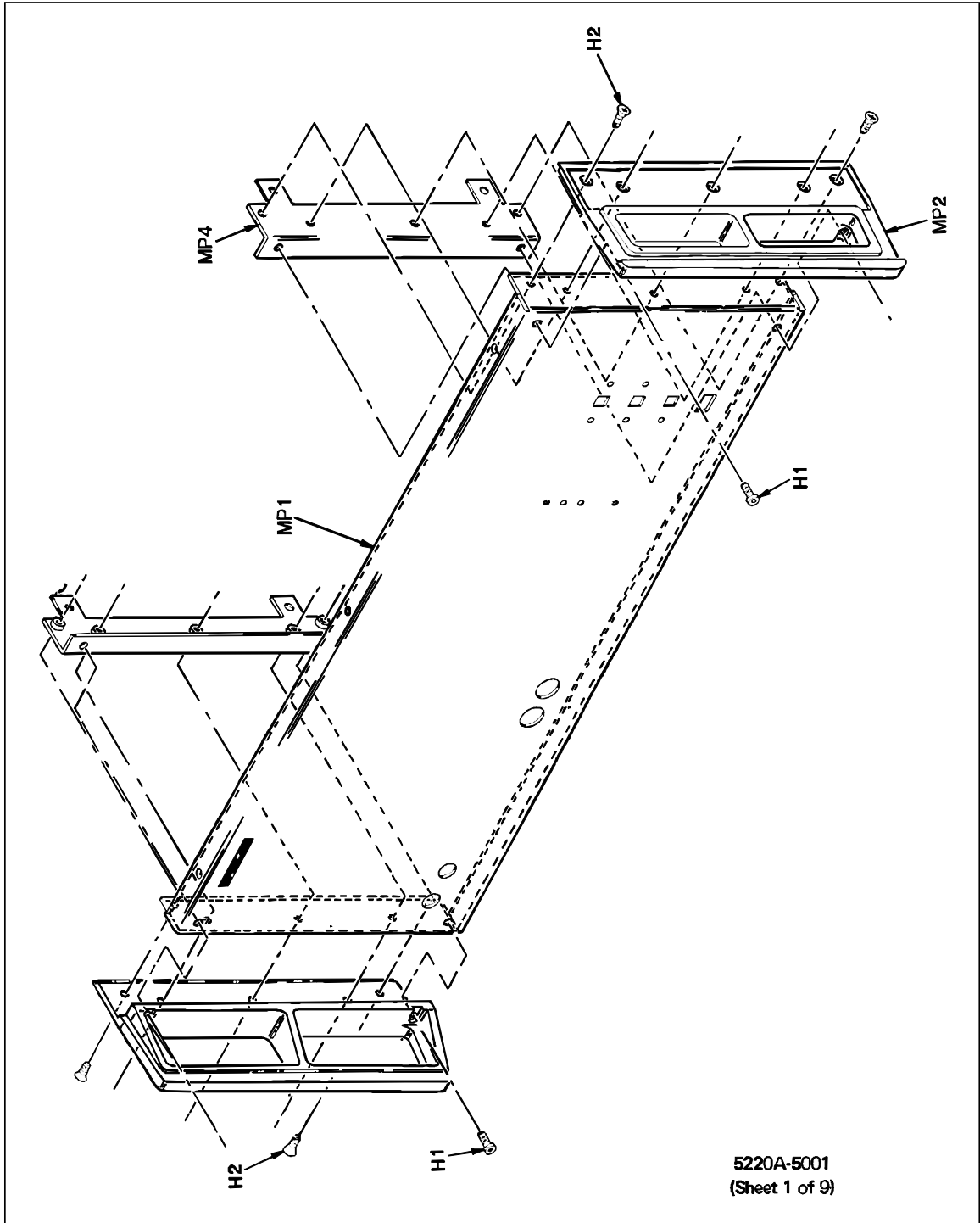


Figure 5-1. 5220A Final Assembly

ajs20f.wmf



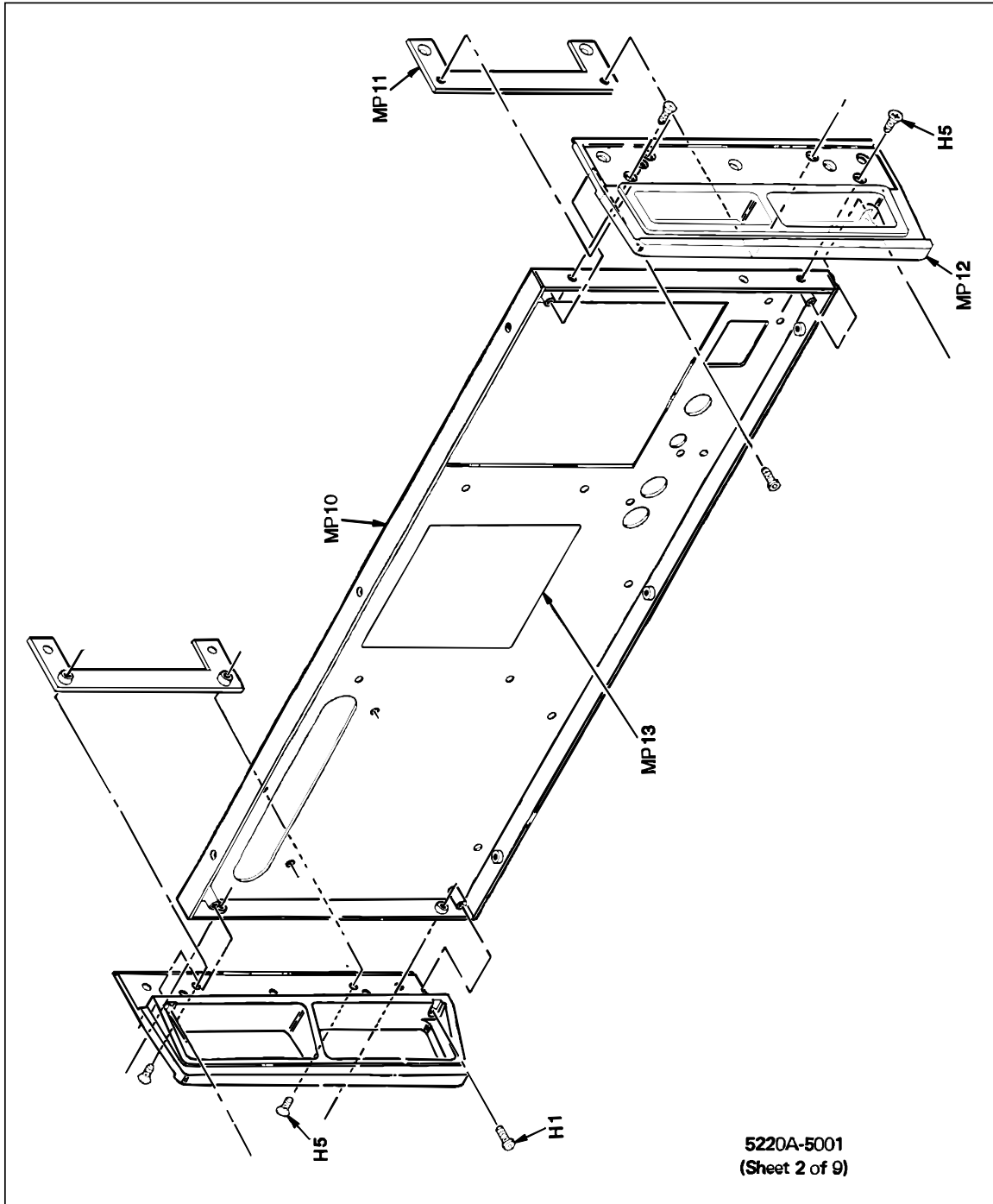
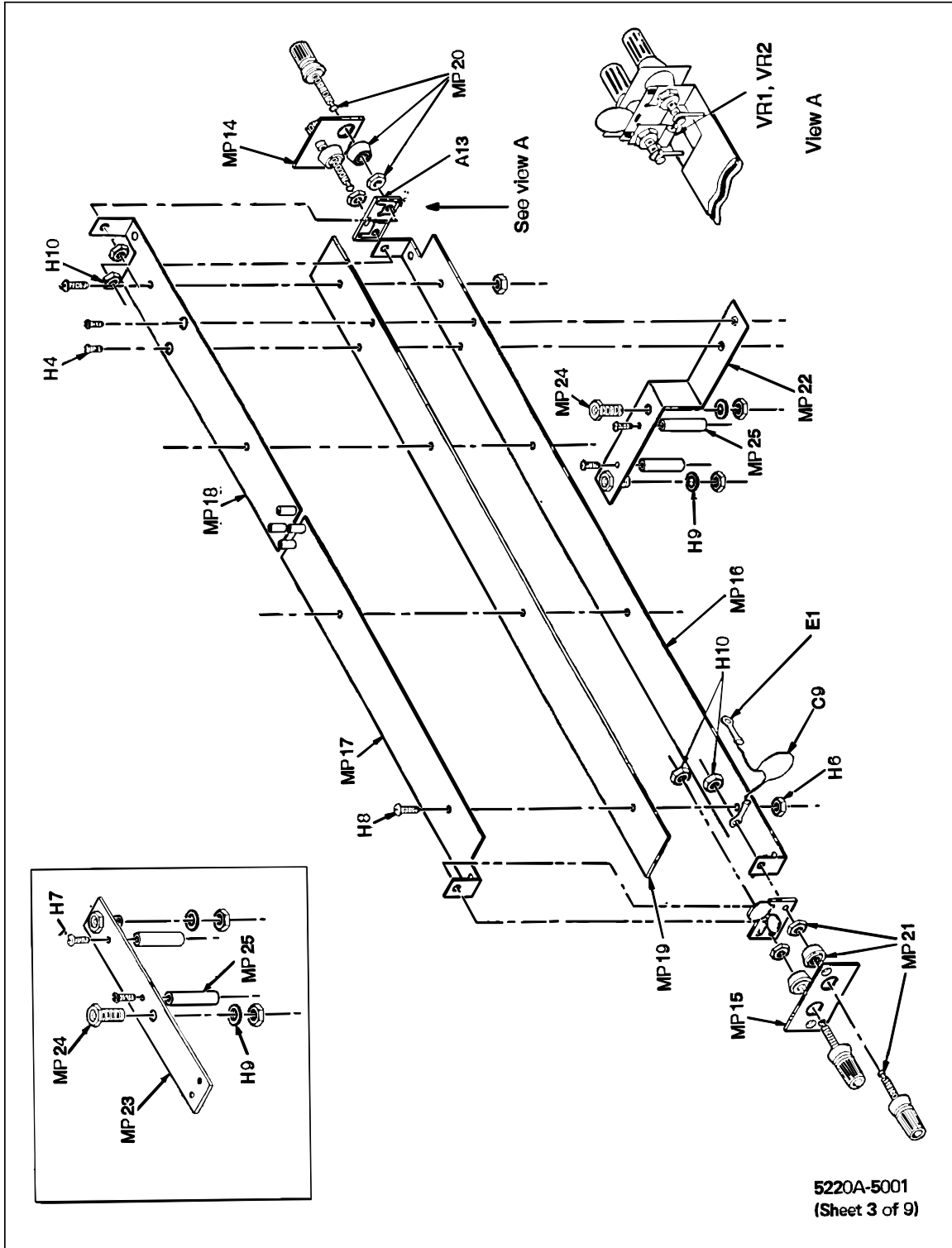


Figure 5-1. 5220A Final Assembly (cont.)

ajs21f.wmf



5220A-5001  
(Sheet 3 of 9)

ajs22f.wmf

Figure 5-1. 5220A Final Assembly (cont.)

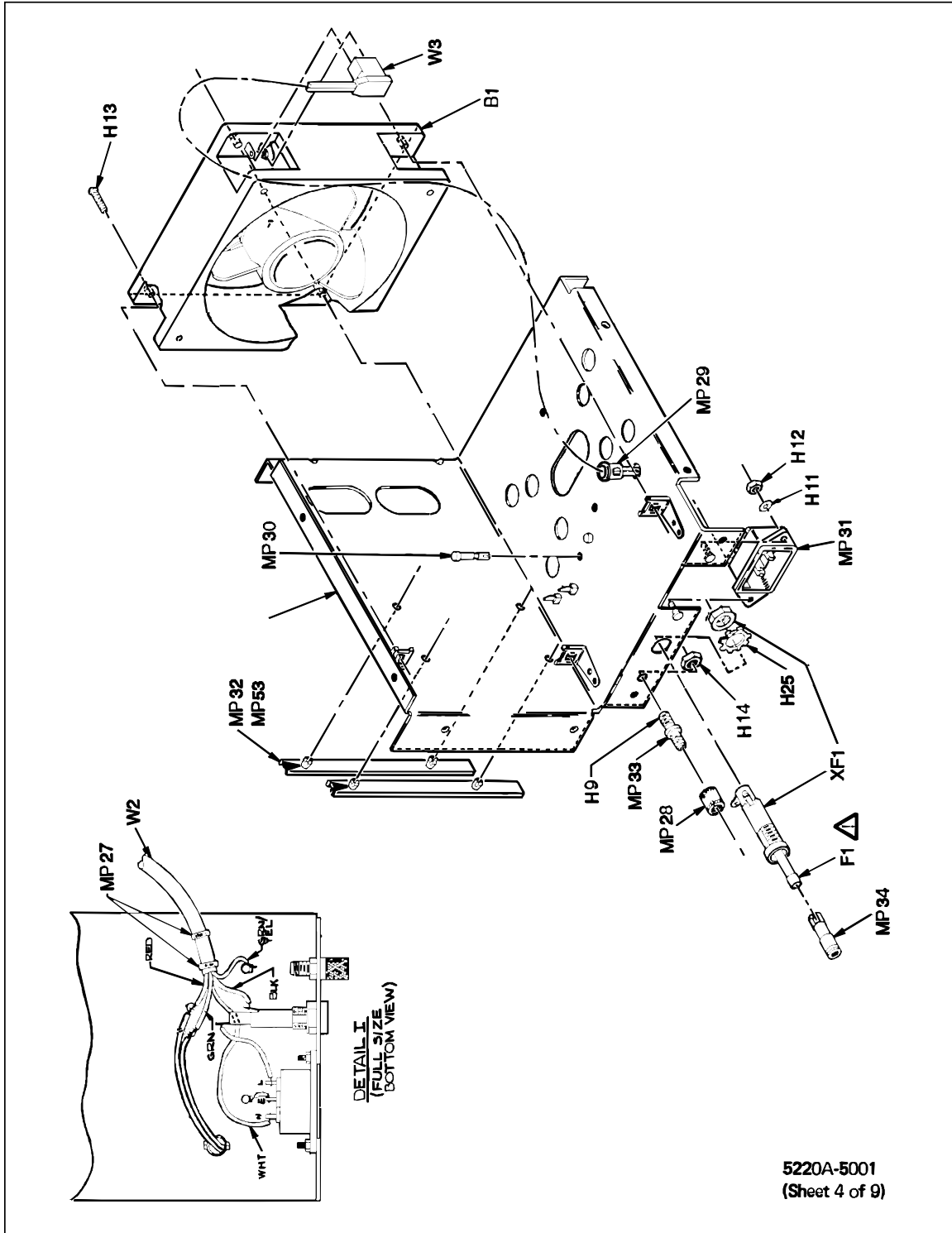
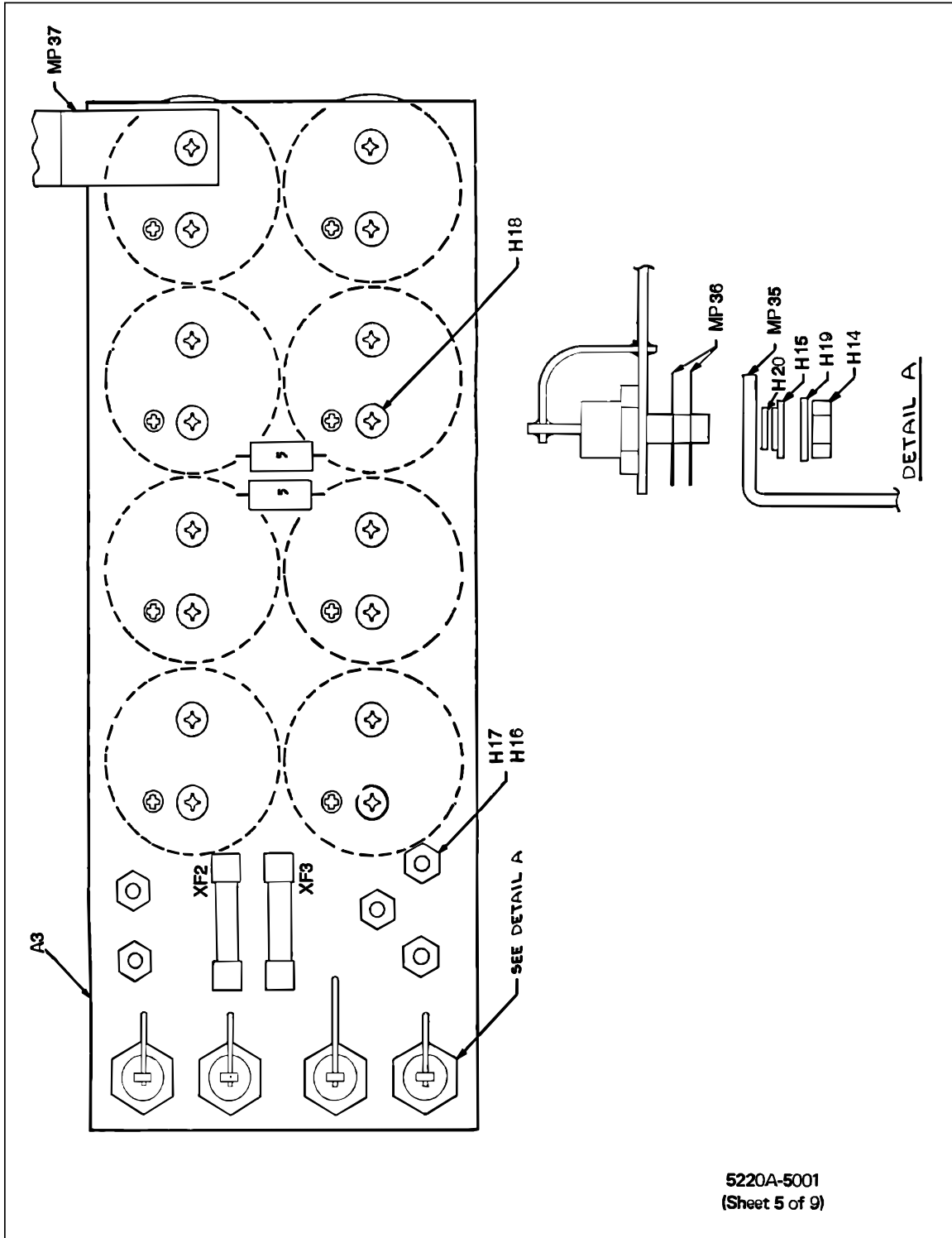
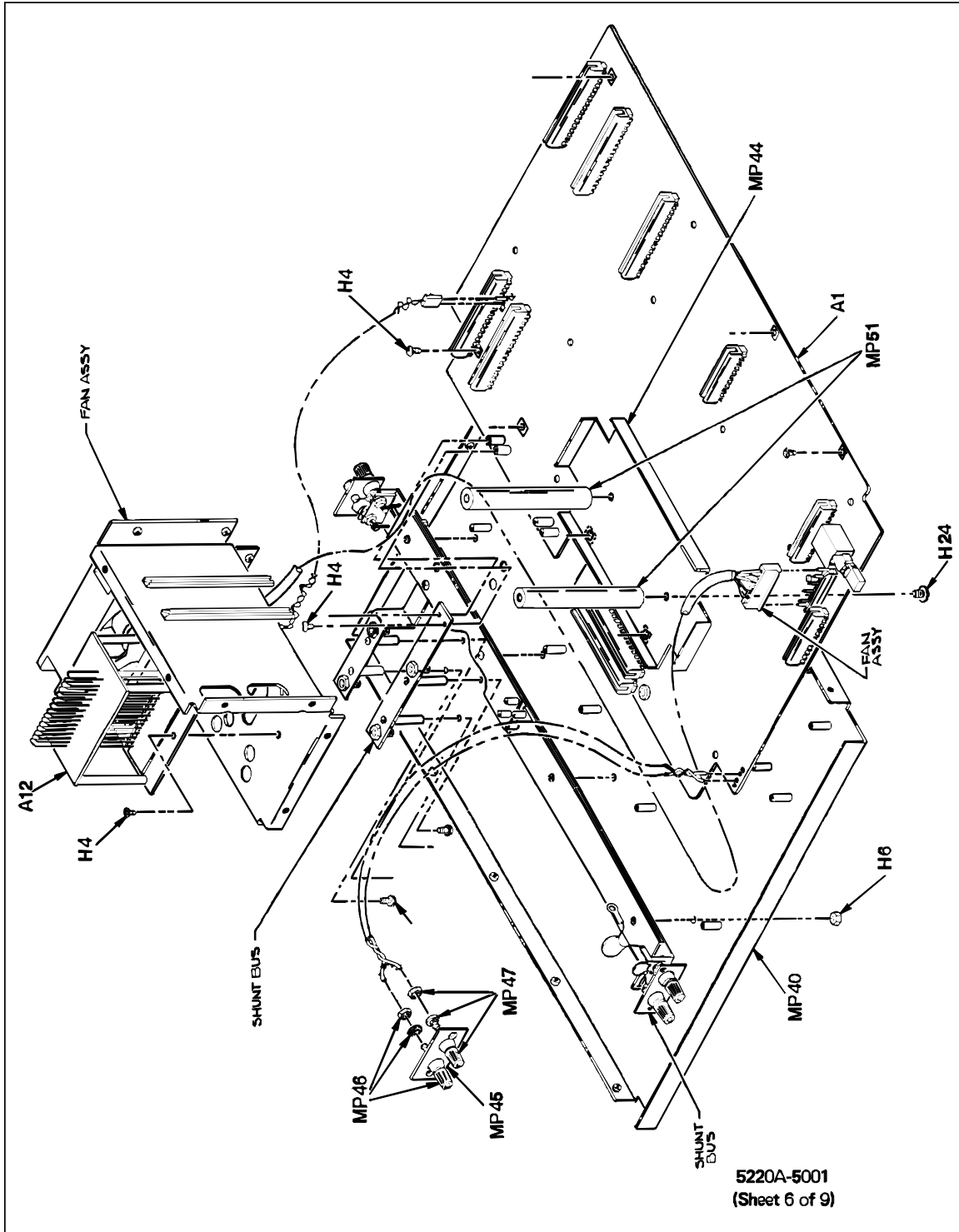


Figure 5-1. 5220A Final Assembly (cont.)



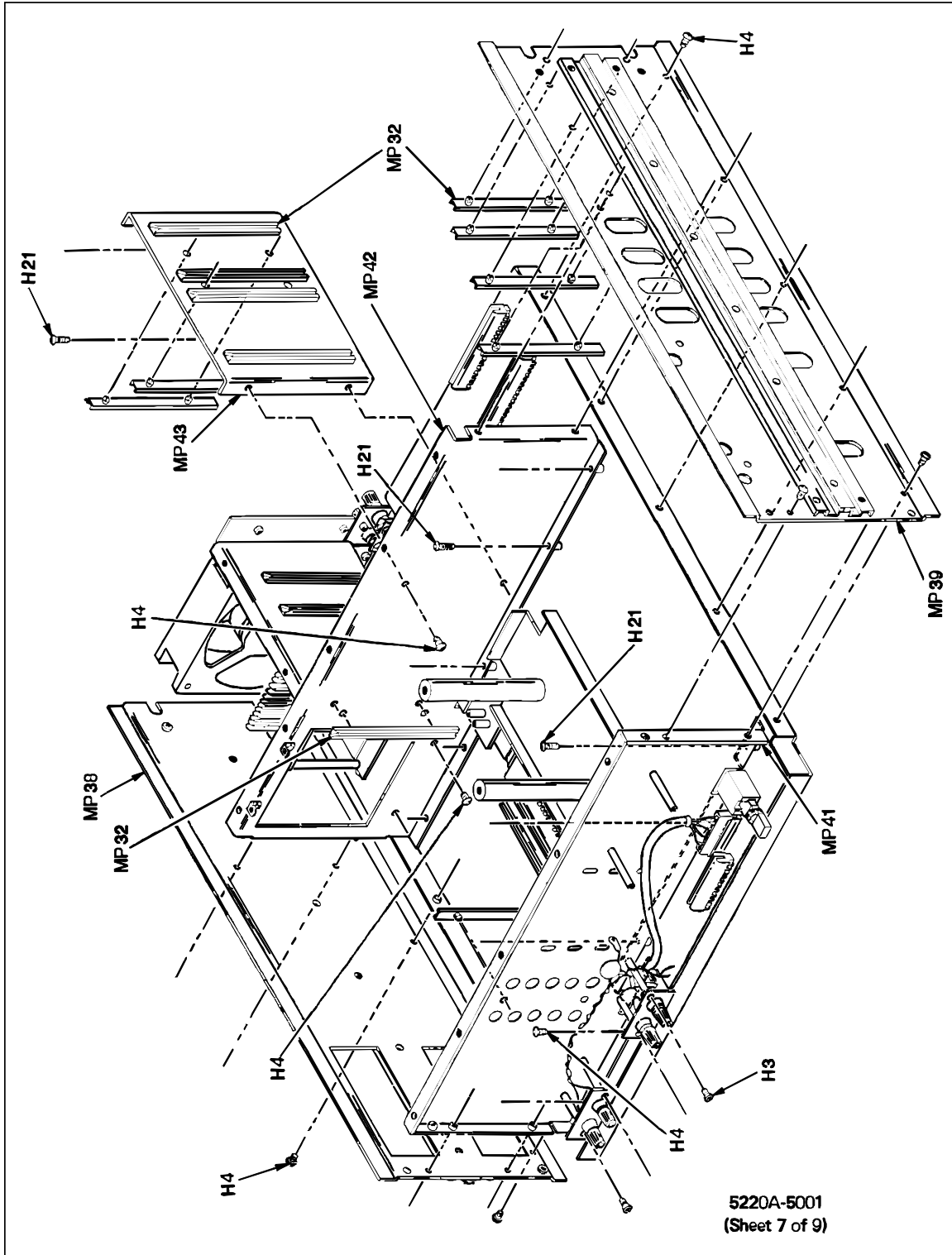
ajs24f.wmf

Figure 5-1. 5220A Final Assembly (cont.)



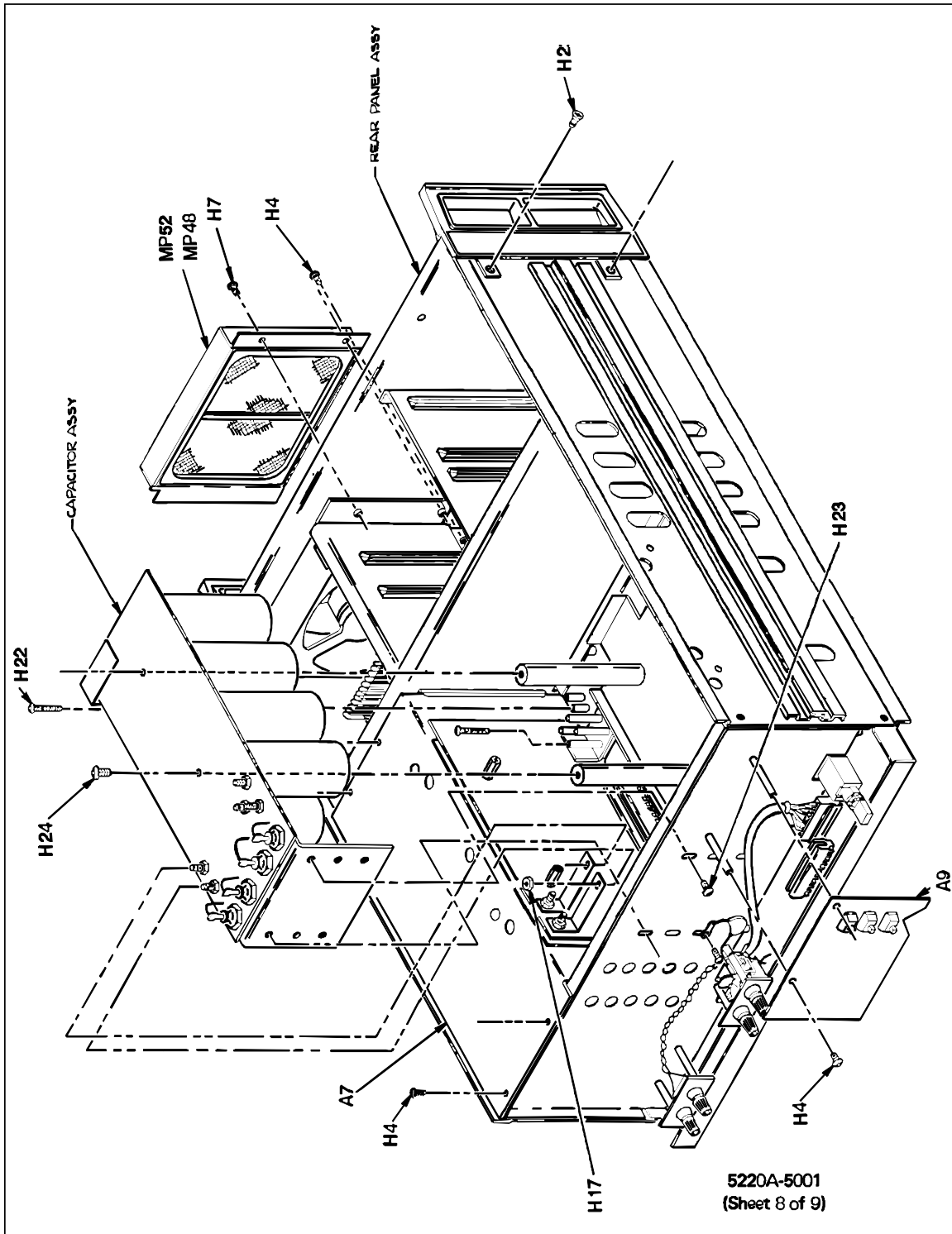
ajs25f.wmf

Figure 5-1. 5220A Final Assembly (cont.)



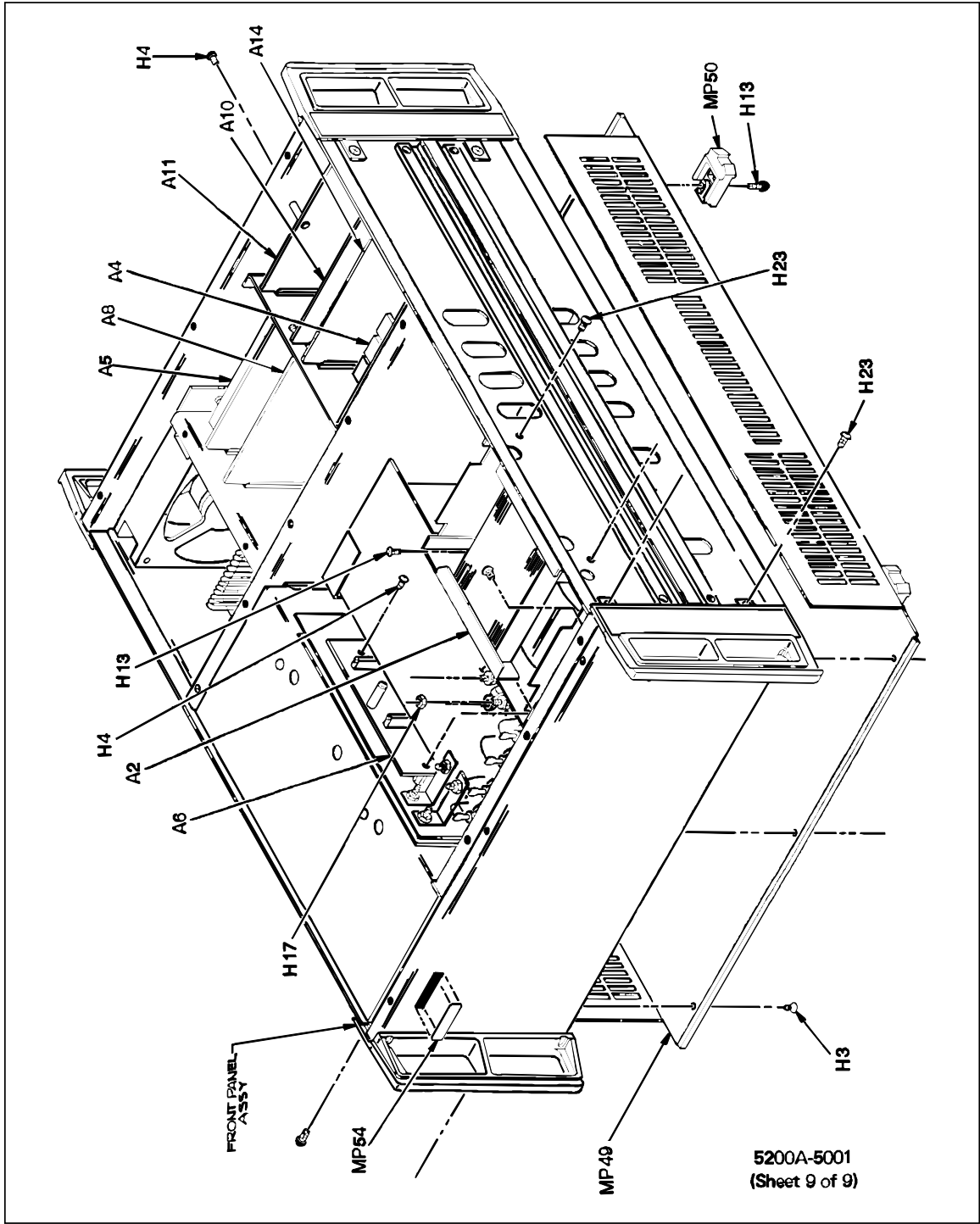
ajs26f.wmf

Figure 5-1. 5220A Final Assembly (cont.)



ajs27f.wmf

Figure 5-1. 5220A Final Assembly (cont.)



ajs28f.wmf

Figure 5-1. 5220A Final Assembly (cont.)



Table 5-2. A1 Motherboard PCB Assembly

Reference Designator	Description	Fluke Part No.	Total Quantity
J10, J20, J30, J40, J50, J70, J90	Connector, PCB Edge, Rec., 0.150 CTR, 40 Position	422550	7
J1	Header, 1 Row, 0.156 CTR, 10 Pin	446724	1
J10, J85	Connector, PCB Edge, Rec., 0.150 CTR, 24 Position	295352	2
J80	Connector, PCB Edge, Rec., 0.150 CTR, 22 Position	459883	1
MP1	Cover, AC Switch	475681	1
MP2	Pushbutton, SML Rect. C L Repl., Green	419747	1
MP3	Pin, Single, PCB, 0.025 Sq.	267500	3
MP4	Connector, Accessory, PCB Edge, Polarizing Insert	424572	19
MP5	Bushing, Snap-In, Nylon, 0.250 ID	102996	2
MP6	Spacer, Swaged, Round, Brass, 6-32 x 0.500	284380	4
S4	Switch, On-Off	453605	1

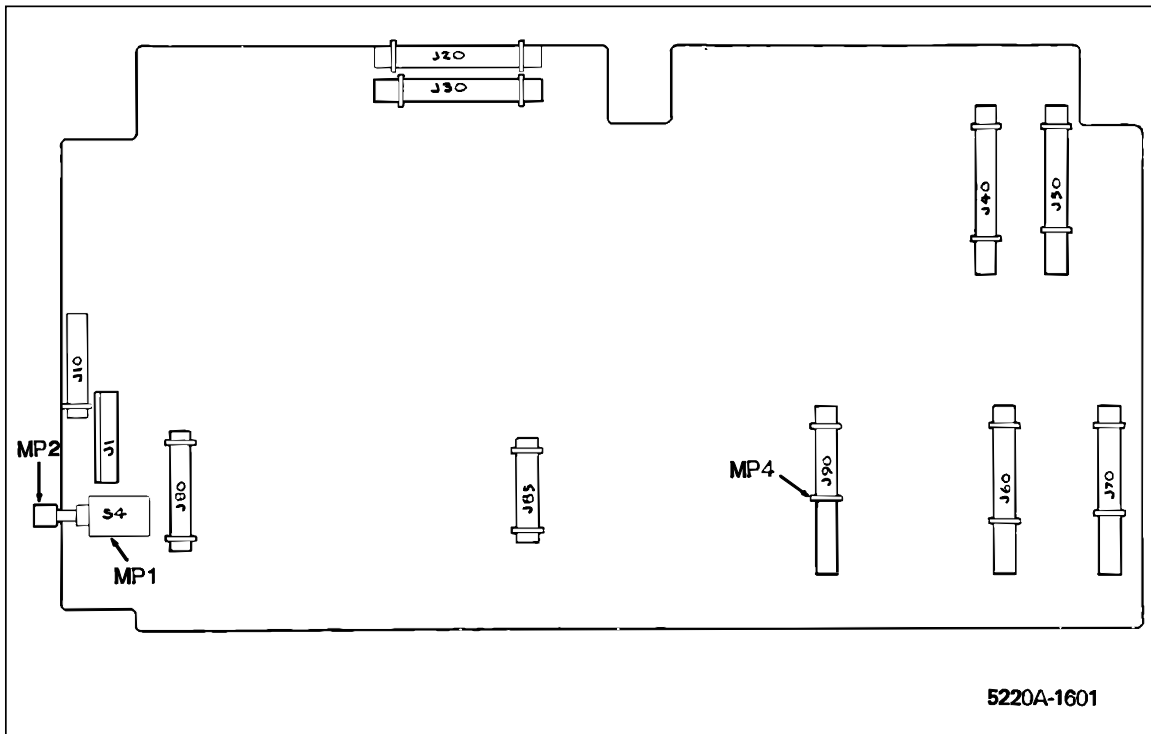


Figure 5-2. A1 Motherboard PCB Assembly

ajs35f.wmf

Table 5-3. A2 Power Transformer Assembly

Reference Designator	Description	Fluke Part No.	Total Quantity
F4 – F7	Fuse, 0.25 x 1.25, 0.5 A, 250 V, Slow	109322	4
H1	Screw, Machine, PH, P, Steel, 8-32 x 0.250	228890	8
H2	Screw, Machine, PH, P, Steel, 6-32 x 0.250	152140	8
MP1	Transformer Plate, Inboard	489468	1
MP2	Transformer Plate, Outboard	489476	1
MP3	Forward Transformer Terminator Assembly	660217	1
MP4	Aft Transformer Terminator Assembly	660225	1
MP5	Grommet, Slot, Rubber, 0.750, 0.875	380782	1
S1–S3	Switch, Slide, DPDT, Power	234278	3
T1	Power Transformer	477000	1
XF4–XF7	Fuse, Clip, PCB, 1/4 x 1-1/4	756460	8

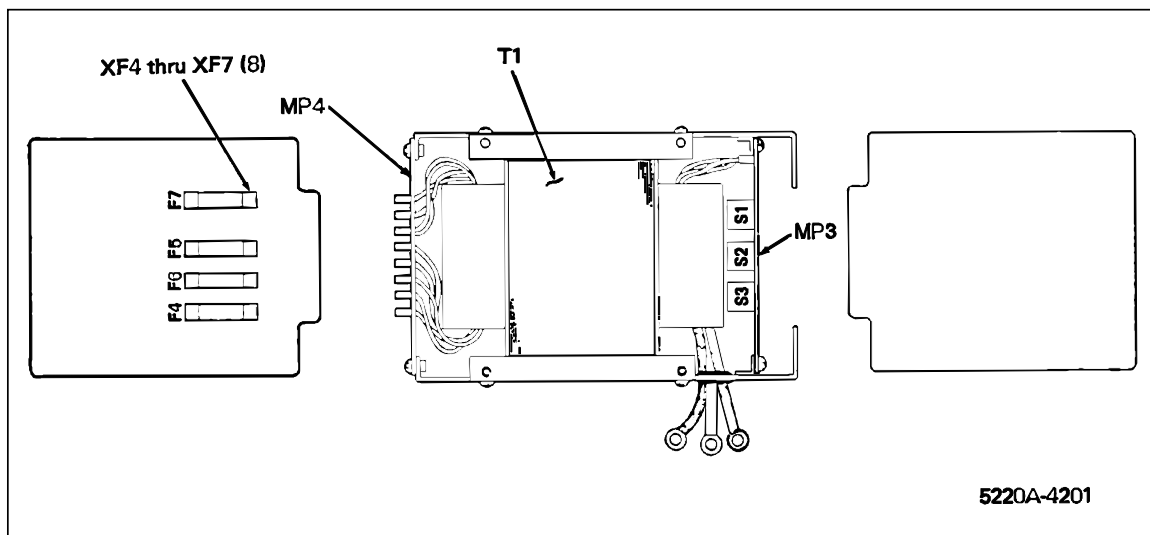


Figure 5-3. A2 Power Transformer Assembly

ajs37f.wmf

**Table 5-4. A3 Capacitor Bus PCB Assembly**

Reference Designator	Description	Fluke Part No.	Total Quantity
C1 – C8	Capacitor, AL, 50,000 $\mu$ F, +100-10 %, 15 V, Hi Term	432525	8
CR1, CR3	Diode, SI, 50 PIV, 20.0 A	483206	2
CR2, CR4	Diode, SI, 50 PIV, 20.0 A	483214	2
F2, F3	Fuse, 0.25 x 1.25, 30 A, 32 V, Fast	500793	2
H14	Nut, Machine, Hex, BR, 1/4-28	110619	9
H15	Washer, Shoulder, Fiber, 0.250 ID	110833	4
H16	Screw, Machine, PH, P, Steel, 10-32 x 0.375	159749	5
H17	Nut, Machine, Hex, Steel, 8-32	110544	10
H18	Screw, Machine, PH, P, Steel, 10-32 x 0.375	114314	16
H19	Washer, Flat, Steel, 0.265, 0.500, 0.031	110718	4
H20	Washer, Flat, Teflon, 0.366 x 0.266 x 0.050	543314	4
MP35	Heatsink, Diode	502179	1
MP36	Insulation Part, Diode, Silicone, Washer	500785	4
MP37	Bus, Capacitor	497982	1
R2, R5	Resistor, CC, 100, $\pm$ 10 %, 2 W	109934	2
XF2, XF5	Fuse, Clip, PCB, 1/4 x 1-1/4	756460	4

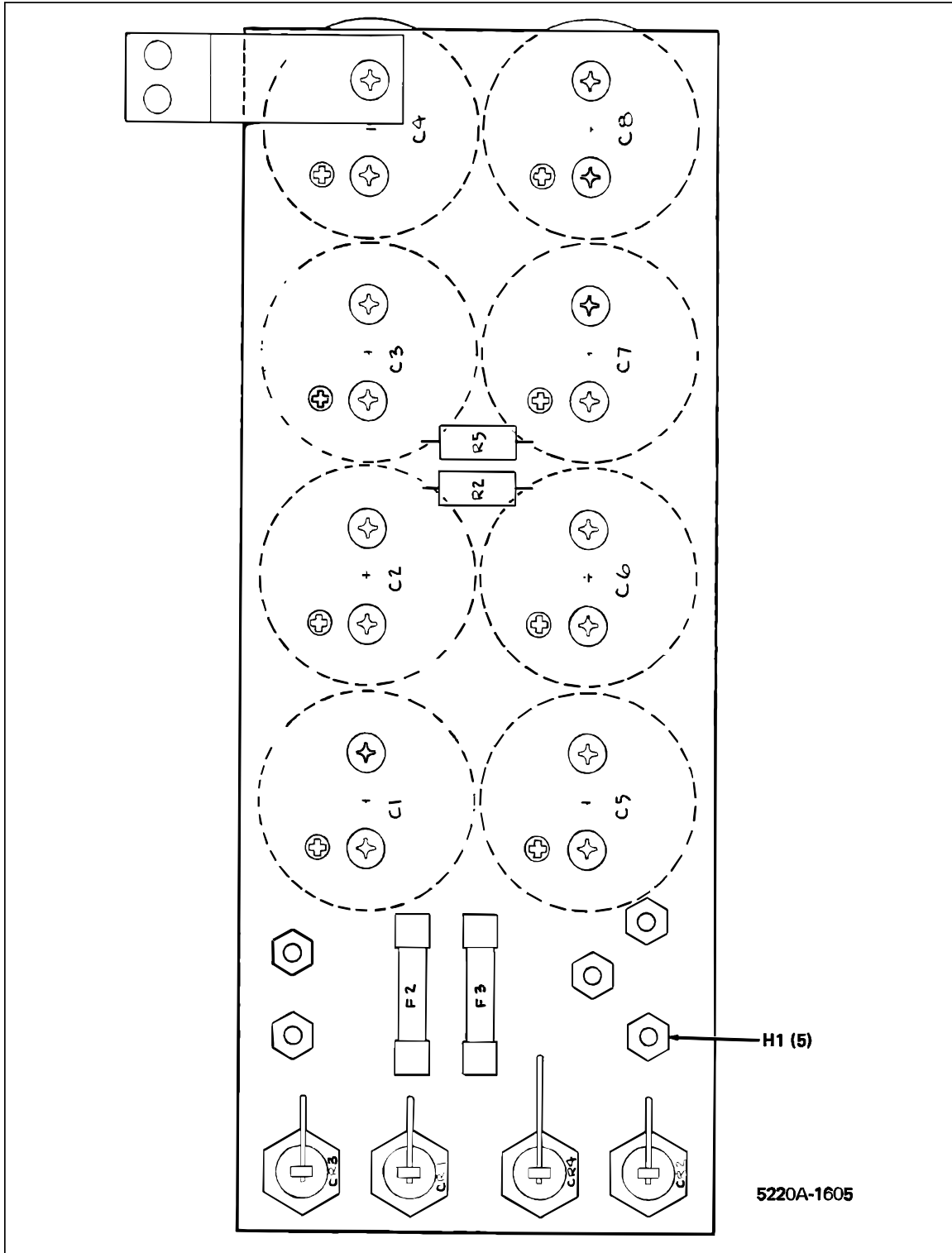








Figure 5-4. A3 Capacitor Bus PCB Assembly

ajs38f.wmf

**Table 5-5. A4 Regulator PCB Assembly**

Reference Designator	Description	Fluke Part No.	Total Quantity
C9, C10, C16, C17	Capacitor, AL, 4700 $\mu$ F, +75-20 %, 16 V	379370	4
C11, C14, C15, C18	Capacitor, TA, 22 $\mu$ F, $\pm$ 20 %, 25 V	357780	4
C12, C13	Capacitor, AL, 2200 $\mu$ F, +75-20 %, 25 V	392720	2
CR5 – CR7	Diode, SI, Rectifier, Bridge, BV = 100 V, IO = 1.0 A	392910	3
CR8, CR9	 Diode, SI, BV = 75 V, IO = 150 mA, 500 mW	203323	2
H1	Screw, Machine, PH, P, SEMS, Steel, 4-40, 0.250	185918	4
H2	Nut, Machine, Hex, Steel, 4-40	110635	4
MP1	Heat Dissipator, PCB MTG, 1.380, 2.000, 0.500	386235	4
MP2	Cable Tie, 4.0 L, 0.100 W, 0.75 Dia.	172080	6
R4, R6, R9, R15	Resistor, CF, 100 k, $\pm$ 5 %, 0.25 W	348920	4
R7, R12	Resistor, CC, 220 $\Omega$ , $\pm$ 10 %, 1 W	109462	2
R8	Resistor, CF, 1 k, $\pm$ 5 %, 0.25 W	343426	1
R10, R11	Resistor, CC, 1 k, $\pm$ 10 %, 1 W	109371	2
R13	Resistor, CF, 18 k, $\pm$ 5 %, 0.25 W	348862	1
TP1 – TP8	Terminal, Uninsulated, Feedthrough, Hole, Turret	179283	8
U1, U4	 IC, Voltage Regulator, Fixed, +5 V, 1.5 A	355107	2
U2	 IC, Voltage Regulator, Fixed, +15 V, 1.5 A	413187	1
U3	 IC, Voltage Regulator, Fixed, -15 V, 1.5 A	413179	1
VR1	 Zener, Uncompensated, 4.3 V, 5 %, 20.0 mA, 0.4 W	180455	1
 Indicates a static-sensitive part.			

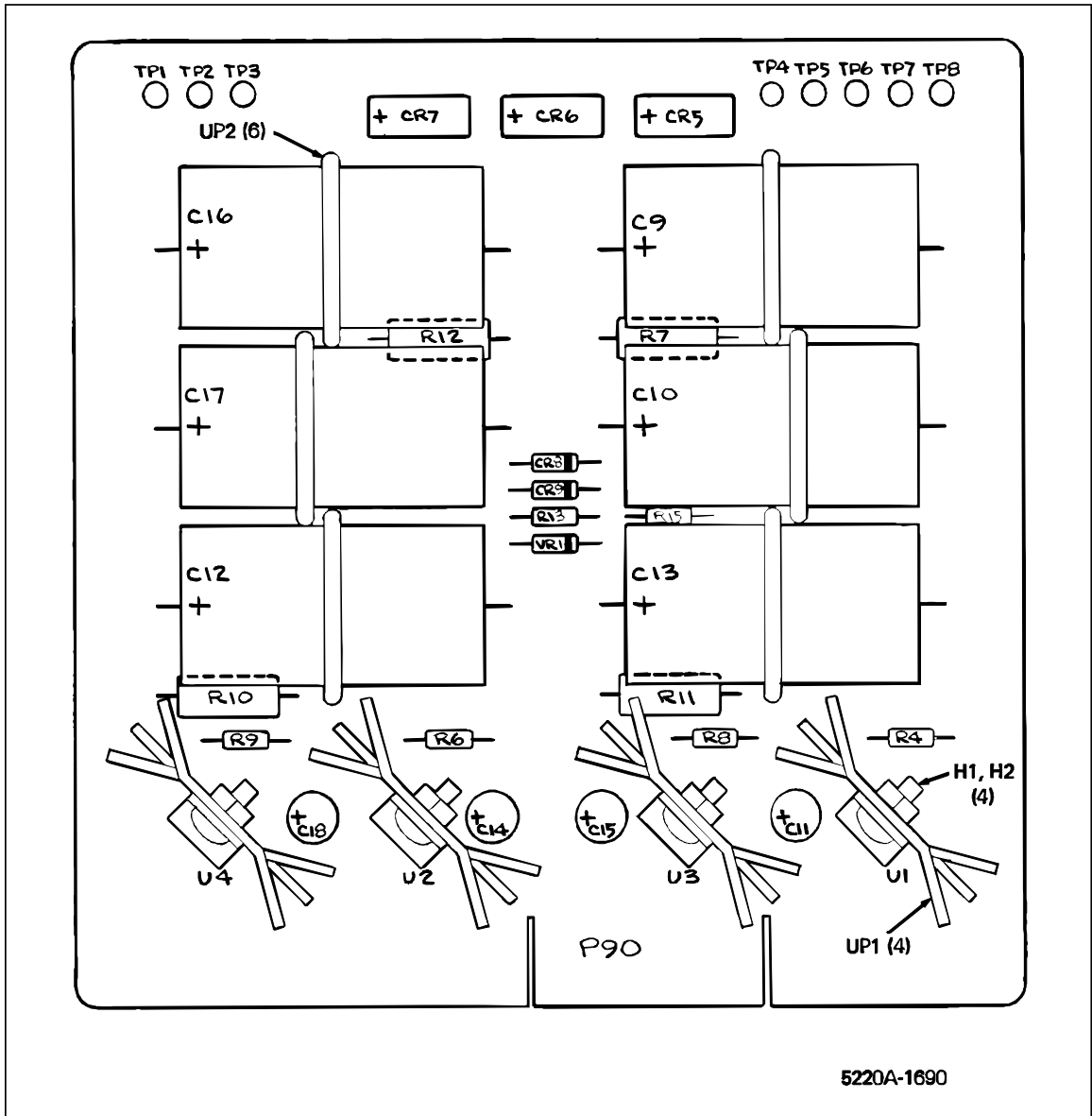


Figure 5-5. A4 Regulator PCB Assembly

ajs39f.wmf

Table 5-6. A5 Preamplifier PCB Assembly







Reference Designator	Description	Fluke Part No.	Total Quantity
C1, C2	Capacitor, CER, 100 pF, $\pm 2\%$ , 100 V, COG	512848	2
C3, C5, C6	Capacitor, CER, 0.22 $\mu$ F, $\pm 20\%$ , 50 V, Z5U	309849	7
C4	Capacitor, Variable, 1 – 42 pF, 750 V, Glass	758029	1
C7	Capacitor, CER, 1800 pF, $\pm 5\%$ 50 V, COG	528547	1
C12, C15	Capacitor, TA, 10 $\mu$ F, $\pm 20\%$ , 20 V	330662	2
CR1, CR2, CR6	 Diode, SI, BV = 75 V, IO = 150 mA, 500 mW	203323	3
CR3 – CR5	 Diode, SI, BV = 20.0 V, IO = 50 mA, 250 mW	375907	3
E1, E2, E3	Jumper, Wire, Non-insulated, 0.200 CTR	816090	3
H1	Screw, Machine, SEMS, PH, P, Steel, 6-32, 0.250	178533	4
K1, K2	Relay, Reed, 1 Form A, 4.5 V dc	424408	2
MP1	Spacer, Swaged, Round, Brass, 6-32 x 0.812	306804	4
MP2	Shield, Preamplifier	486001	1
MP3	Spacer, Switch Standoff, Polyethylene, 0.094	285353	2
Q1	 Transistor, SI, N-JFET, Hi-Voltage, TO-92	393314	1
Q2	 Transistor, SI, NPN, Dual, TO-5	478099	1
Q3	 Transistor, SI, NPN, Small Signal	329698	1
R1, R2	Resistor Set, 1 k; 98.5 k	502625	1
R3	Resistor, Variable, CER, 500 $\Omega$ , $\pm 20\%$ , 0.5 W	267849	1
R4	Resistor, MF, 60.4 k, $\pm 1\%$ , 0.125 W, 100 PPM	291419	1
R5, R7	Resistors, 301 k Set	502671	1
R6	Resistor, Variable, CER, 2 k, $\pm 20\%$ , 0.5 W	267864	1
R8	Resistor, MF, 215 k, $\pm 1\%$ , 0.125 W, 100 PPM	289470	1
R9	Resistor, MF, 1 k, $\pm$ , 0.125 W, 100 PPM	168229	1
R10, R20	Resistor, CF, 100 k, $\pm 5\%$ , 0.25 W	348920	2
R11, R12 <sup>1</sup>	Resistor, MF, 100.03 k, $\pm 0.1\%$ , 0.125 W, 25 PPM	291088	1
R13 <sup>2</sup>	Resistor, Factory Selected	-	2
R14	Resistor, MF, 100k, $\pm 1\%$ , 0.125 W, 100 PPM	248807	1
R15, R25	Resistor, MF, 392 $\Omega$ , $\pm 1\%$ , 0.125 W, 100 PPM	260299	2
R16	Resistor, MF, 10 k, $\pm 1\%$ , 0.125 W, 100 PPM	168260	1
R17, R18	Resistor, CF, 10 $\Omega$ , $\pm 5\%$ , 0.25 W	340075	2

Table 5-6. A5 Preamplifier PCB Assembly (cont.)

Reference Designator	Description	Fluke Part No.	Total Quantity
R19	Resistor, MF, 422 $\Omega$ , $\pm 1$ %, 0.125 W, 100 PPM	288506	1
R21, R23	Resistor, CF, 1 k, $\pm 5$ %, 0.25 W	343426	2
R22	Resistor, CF, 1.2 k, $\pm 5$ %, 0.25 W	441378	1
R24	Resistor, CF, 33k, $\pm 5$ %, 0.25 W	348888	1
TP1 – TP14	Terminal, Un-insulated, Feed-through, Hole, Turret	179283	14
U1	 IC, Array, 5 Transistors, NPN, 3 Isolated, 2 Differentially Connected	248906	1
U2	 IC, OP AMP, JFET Input, TO-5	429837	1
U3	 Isolator, Opto, LED to Photo Resistor	507475	1
U4	 IC, CMOS, Hex Inverter	404681	1
 Indicates a static-sensitive part. 1. R11 and R12 are factory selected. See Table 4-4. 2. R13 may or may not be installed as factory selected. See Table 4-5.			



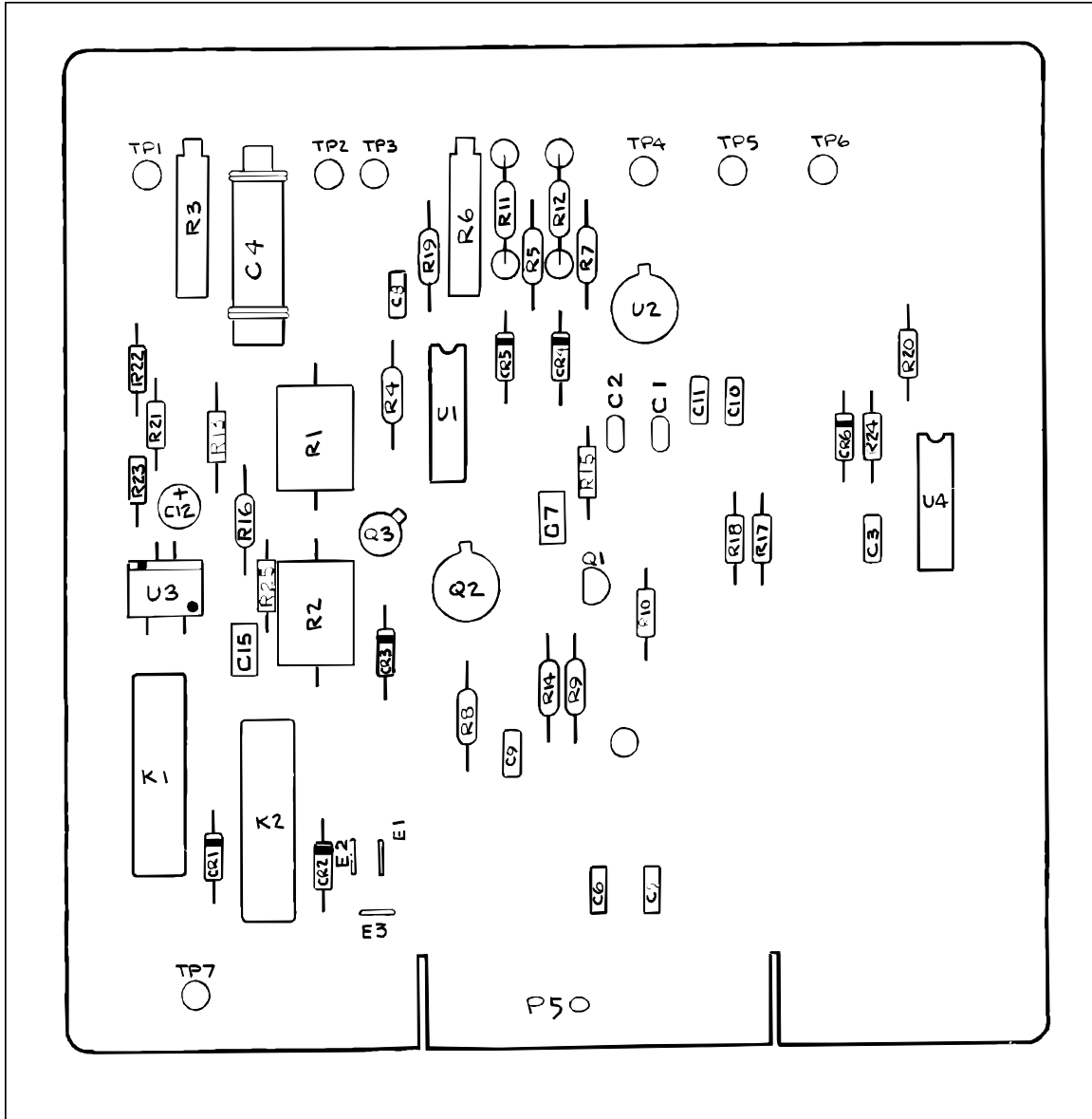


Figure 5-6. A5 Pre-amplifier PCB Assembly

ajs40f.wmf

Table 5-7. A6 Driver PCB Assembly









Reference Designator	Description	Fluke Part No.	Total Quantity
C1	Capacitor, Polyester, 0.027 $\mu$ F, $\pm$ 10 %, 250 V	267120	1
C2	Capacitor, TA, 6.8 $\mu$ F, $\pm$ 20 %, 35 V	363713	1
C3, C4	Capacitor, CER, 180 pF, $\pm$ 10 % 1000 V, S3N	105890	2
C5	Capacitor, CER, 5000 pF, $\pm$ 20 %, 100 V, Z5V	175232	1
C6	Capacitor, TA, 220 $\mu$ F, $\pm$ 20 %, 6 V	408682	1
C7	Capacitor, CER, 0.1 $\mu$ F, $\pm$ 20 %, 100 V Z5V	149146	1
CR1	 Diode, SI, N-JFET, Current Regulator, IF = 5.3 mA	334714	1
CR2	 Diode, SI, BV = 75 V, IO = 150 mA, 500 mW	203323	1
H1	Screw, Machine, PH, P, Steel, 6-32 x 1.000	114215	1
H2	Nut, Hex, Steel, 6-32	110551	1
MP1	Spacer, Round, Aluminum, 0.156 ID x 0.750	100966	1
Q1	 Transistor, SI, PNP, Small Signal	229898	1
Q2 – Q4	 Transistor, SI, NPN, Small Signal	218081	3
Q5, Q9, Q10	 Transistor, SI, PNP, Small Signal	402586	3
Q6, Q7, Q11	 Transistor, SI, N-JFET, TO-92, Switch	261578	3
Q8, Q12	 Transistor, SI, NPN, Small Signal	346916	2
R1 – R3	Resistor, CF, 1 k, $\pm$ 5 %, 0.25 W	343426	3
R4, R5	Resistor, MF, 523 $\Omega$ , $\pm$ 1 %, 0.125 W, 100 PPM	294835	2
R6	Resistor, Variable, CERM, 10 $\Omega$ , $\pm$ 20 %, 0.5 W	344135	1
R7, R23	Resistor, CF, 100 k, $\pm$ 5 %, 0.25 W	348920	2
R8	Resistor, MF, 191 $\Omega$ , $\pm$ 1 %, 0.125 W, 100 PPM	325639	1
R9, R12	Resistor, CF, 560 $\Omega$ , $\pm$ 5 %, 0.25 W	385948	2
R10	Resistor, 240 $\Omega$ , $\pm$ 5 %, 0.25 W	376624	1
R13	Resistor, Variable, CERM, 100 $\Omega$ , $\pm$ 20 %, 0.5 W	267823	1
R14, R16	Resistor, MF, 604 $\Omega$ , $\pm$ 1 %, 0.125 W, 100 PPM	320309	2
R15	Resistor, MF, 383 $\Omega$ , $\pm$ 1 %, 0.125 W, 100 PPM	375899	1
R17	Resistor, MF, 953 $\Omega$ , $\pm$ 1 %, 0.125 W, 100 PPM	288555	1
R18, R24	Resistor, MF, 100 $\Omega$ , $\pm$ 1 %, 0.125 W, 100 PPM	168195	2
R19, R25	Resistor, CF, 51 $\Omega$ , $\pm$ 5 %, 0.25 W	414540	2
R20	Resistor CF, 100 $\Omega$ , $\pm$ 5 %, 0.25 W	348771	1
R21, R22	Resistor, MF, 33.2 $\Omega$ , $\pm$ 1 %, 0.125 W, 100 PPM	296681	2
R26, R27	Resistor, MF, 20 $\Omega$ , $\pm$ 1 %, 0.125 W, 100 PPM	236844	2

Table 5-7. A6 Driver PCB Assembly (cont.)

Reference Designator	Description	Fluke Part No.	Total Quantity
R28, R29	Resistor, CF, 6.8 k, $\pm 5\%$ , 0.25 W	368761	2
R30, R31	Resistor, CC, 10 $\Omega$ , $\pm 10\%$ , 0.5 W	108092	2
TP1 – TP4	Terminal, Un-insulated, Feed-through, Hole, Turret	179283	4
VR1, VR2	 Zener, Uncompensated, 4.3 V, 5%, 20.0 mA, 0.4 W	180455	2

 Indicates a static-sensitive part.

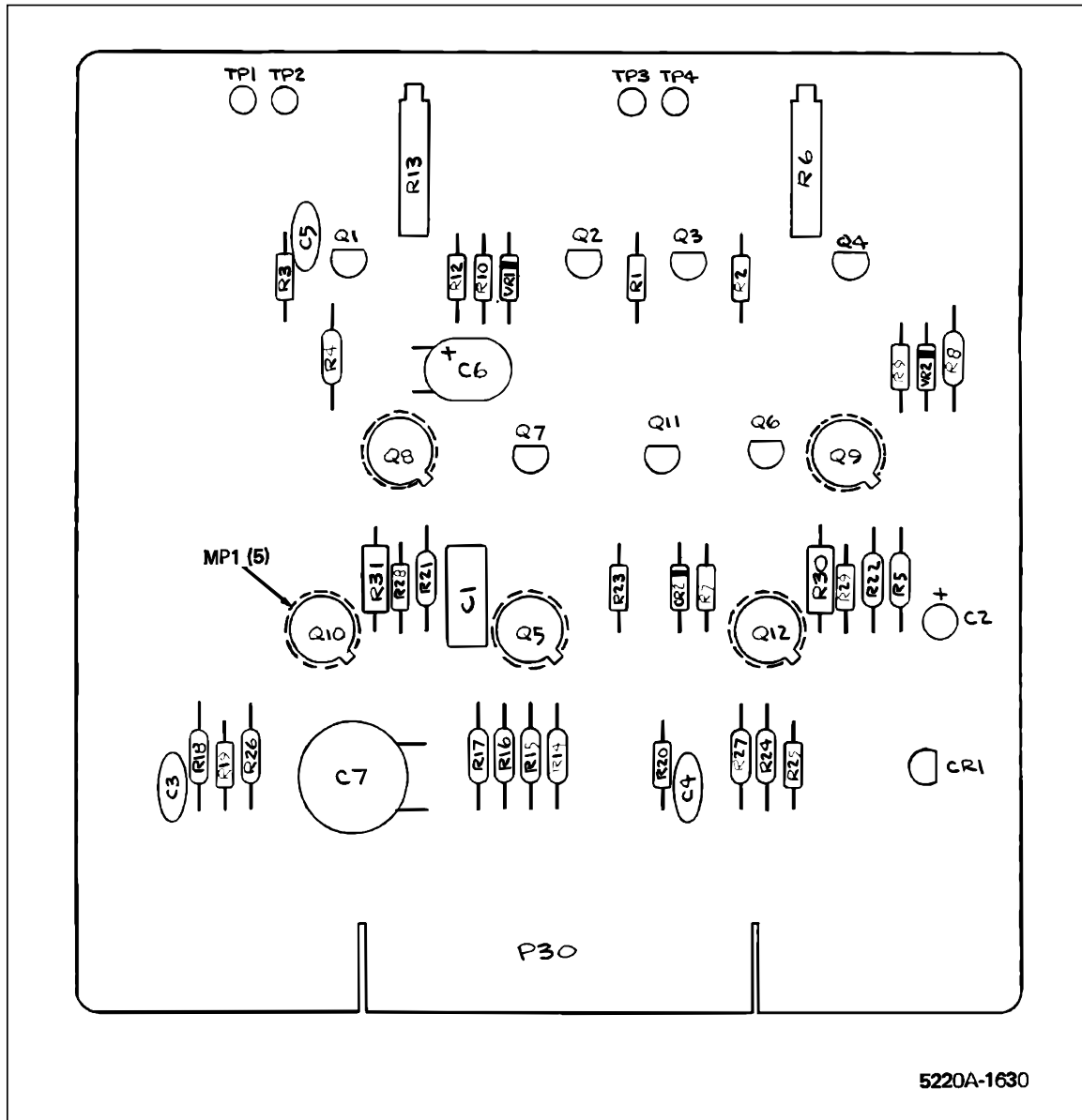







Figure 5-7. A6 Driver PCB Assembly

ajs41f.wmf

Table 5-8. A7 Output PCB Assembly

Reference Designator	Description	Fluke Part No.	Total Quantity
H1	Screw, Machine, PH, P, Steel, 4-40 x 0.375	152124	2
H2	Washer, Lock, Internal, Steel, #4	110403	2
H3	Nut, Hex, S. Steel, 4-40	147611	2
H4	Screw, Machine, PH, P, Steel, 6-32 x 0.250	152140	2
H5	Screw, Machine, PH, P, Steel, 6-32 x 0.750	114223	8
H6	Washer, Lock, Internal, Steel #6	110338	1
H7	Nut, Hex, Steel, 6-32	110551	1
H8	Screw, Machine, PH, P, Steel, 8-32 x 0.35	114124	8
H9	Nut, Machine, Hex, Steel, 8-32	110544	2
H10	Screw, Machine, PH, P, Steel, 4-40 x 0.312	152116	1
MP1	Output, PCB Bracket	489567	1
MP2	Fin, Heatsink	489880	1
MP3	Plate, Temperature Sense	489898	1
MP4	Bus, Output PCB	502161	2
MP5	Output Chamber	485961	1
MP6	Defector Fin, Heatsink	489508	1
MP7	Spacer, Swaged, Hex, Brass, 6-32 x 0.625	181727	2
MP8	Spacer, Swaged, Round, Brass, 6-32 x 0.187	351882	8
MP9	Insulated Part, Transistor, Aluminum, TO-3	477802	4
MP10	Socket, Single, PCB, For 0.018 – 0.040 Pin	348201	8
MP11	Heat Dissipator, W/BEO Washer, TO-5	407262	1
MP12	Space, Transistor Mount, DAP	152207	1
MP13	Washer, Flat, Nylon, 0.257 ID x 0.500 x 0.093	682385	1
MP14	Plastic Part, Hole Plug, Polyethylene, 0.312	187799	2
MP15	Washer, Shoulder, Nylon, 0.113, 0.345	485417	3
MP16	Insulated Part, Transistor, Film, TO-220	412809	1
Q101	 Transistor, SI, BV = 45 V, 27 W, TO-220	325753	1
Q102	 Transistor, SI, BV = 45 V, 30 W, TO-220	325761	1
Q103, Q104	 Transistor, SI, BV = 60 V, 200 W, TO-3	483222	2
Q105, Q106	 Transistor, SI, PNP, Small Signal	483230	2
Q107	Resistor, CF, 1 k, $\pm 5\%$ , 0.25 W	402586	1
R101 – R107	Resistor, CF, 1 k, $\pm 5\%$ , 0.25 W	343426	7
R108, R109	Resistor, CC, 5.1 $\Omega$ , $\pm 5\%$ , 0.5 W	177147	2
R110 – R113	Resistor, 0.086 $\Omega$ , $\pm 1\%$ , 4-Terminal, 10 W, 50 PPM	490771	4
R114, R115	Resistor, WW, 2.4 $\Omega$ , $\pm 5\%$ , 2 W	219337	2
S101	Thermo, NO230 $\pm$ 8F, NC200 $\pm$ 8F, 15 A/120 V ac	344002	1
TP1 – TP7	Terminal, Un-insulated, Feed-through, Hole, Turret	179283	7
XQ101, XQ102	Socket, Transistor, 3-Pin	402958	2

 Indicates a static-sensitive part.

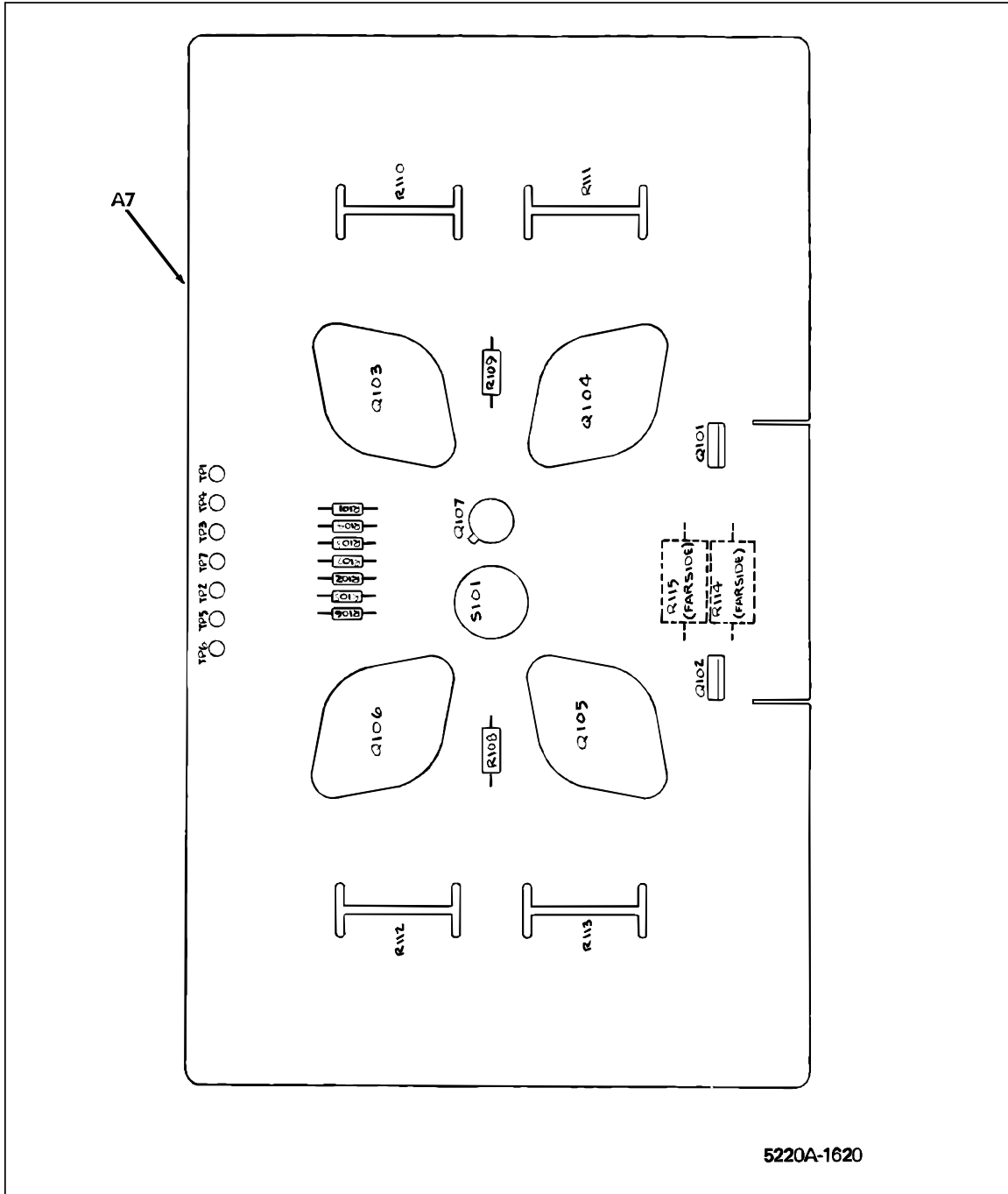


Figure 5-8. A7 Output PCB Assembly

ajs42f.wmf

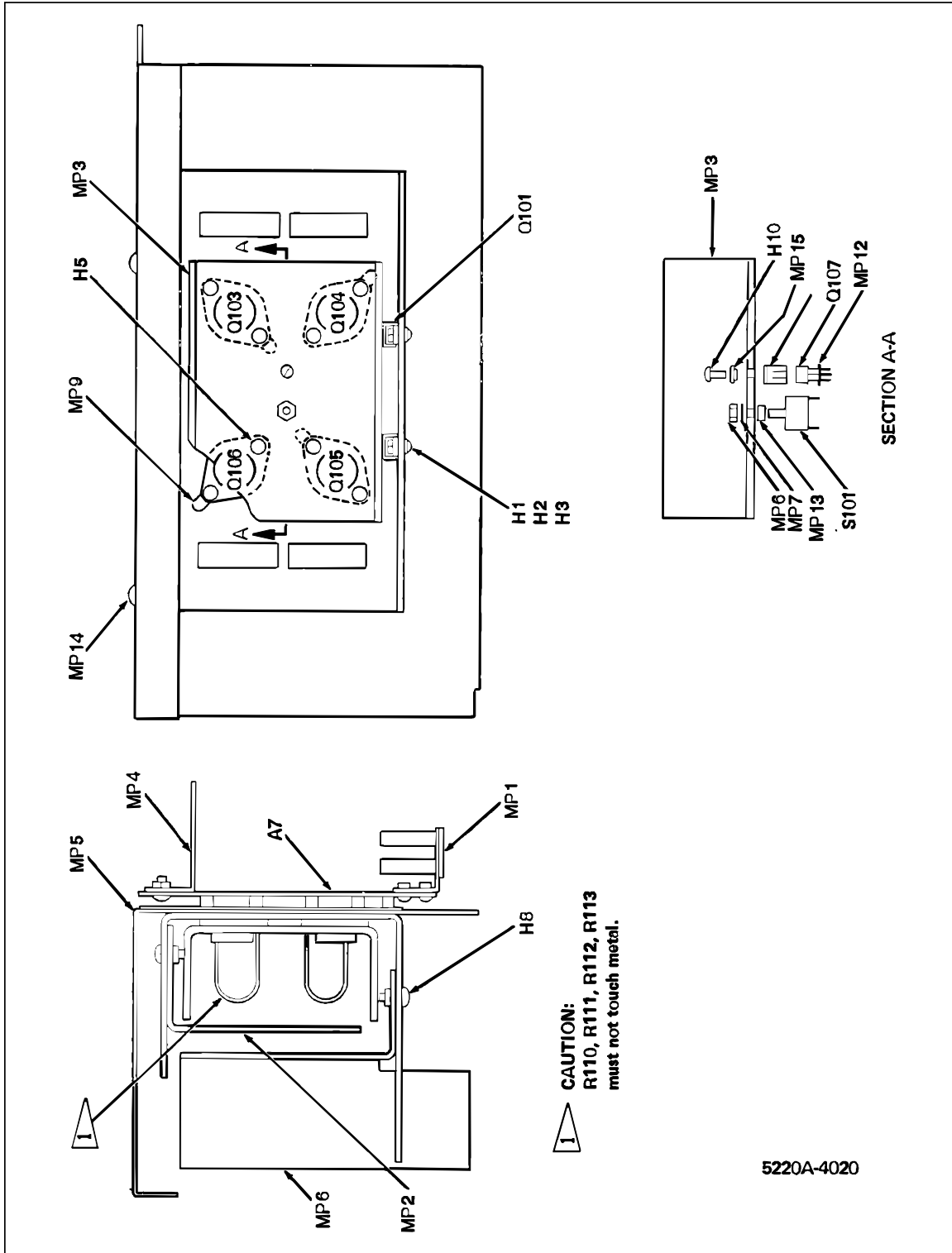










Figure 5-8. A7 Output PCB Assembly (cont.)

ajs43f.wmf

Table 5-9. A8 Analog Control PCB Assembly

Reference Designator	Description	Fluke Part No.	Total Quantity
C1	Capacitor, CER, 0.10 $\mu$ F, $\pm$ 20 %, 50 V, X7R	853650	1
C2	Capacitor, Polyester, 0.22 $\mu$ F, $\pm$ 10 %, 100 V	436113	1
C3	Capacitor, TA, 0.68 $\mu$ F, $\pm$ 10 %, 35 V	182790	1
CR1 – CR10	 Diode, SI, BV = 20.0 V, IO = 50 Machine, Selected IR	348117	10
CR11	 Diode, SI, BV = 75.0 V, IO = 150 Machine, 500 mW	203323	1
Q1, Q3	 Transistor, SI, PNP, Small Signal	195974	2
Q2, Q4	 Transistor, SI, NPN, Small Signal	218396	2
R1, R2	Resistor, MF, 100 k, $\pm$ 1 %, 0.125 W, 100 PPM	248807	2
R3	Resistor, CF, 51 k, $\pm$ 5 %, 0.25 W	376434	1
R4, R6, R7, R16 – R19, R25, R28, R29, R32	Resistor, CF, 10 k, $\pm$ 5 %, 0.25 W	348839	11
R5, R10, R27, R31, R35 – R42	Resistor, CF, 100 k, $\pm$ 5 %, 0.25 W	348920	12
R8	Resistor, CF, 82 k, $\pm$ 5 %, 0.25 W	348912	1
R9	Resistor, Variable, CER, 100 k, $\pm$ 10 %, 0.5 W	288308	1
R11	Resistor, CF, 300 k, $\pm$ 5 %, 0.25 W	441535	1
R12, R24, R43	Resistor, CF, 1 k, $\pm$ 5 %, 0.25 W	343426	3
R13, R14	Resistor, MF, 10 k, $\pm$ 1 %, 0.125 W, 100 PPM	168206	2
R15	Resistor, CF, 5.1 k, $\pm$ 5 %, 0.25 W	368712	1
R20	Resistor, CF, 9.1 k, $\pm$ 5 %, 0.25 W	441691	1
R21	Resistor, Variable, CER, 5 k, $\pm$ 10 %, 0.5 W	288282	1
R22	Resistor, CF 1.1 k, $\pm$ 5 %, 0.25 W	348797	1
R23	Resistor, CF, 390 k, $\pm$ 5 %, 0.25 W	742475	1
R26, R30	Resistor, CF, 22 k, $\pm$ 5 %, 0.25 W	348870	2
R33	Resistor, CF, 1.2 k, $\pm$ 5 %, 0.25 W	441378	1
TP1 – TP5, TP7 – TP13	Terminal, Un-insulated, Feed-through, Hole, Turret	179283	12
U1, U2	 IC, Op Amp, Quad, 14-Pin DIP	402669	2
U3	 IC, LSTTL, Hex Inverter w/Schmitt Trigger	483180	1
VR1, VR2	 Zener, Uncompensated, 6.8 V, 10 %, 1.0 Machine, 0.4 W	187195	2
 Indicates a static-sensitive part.			

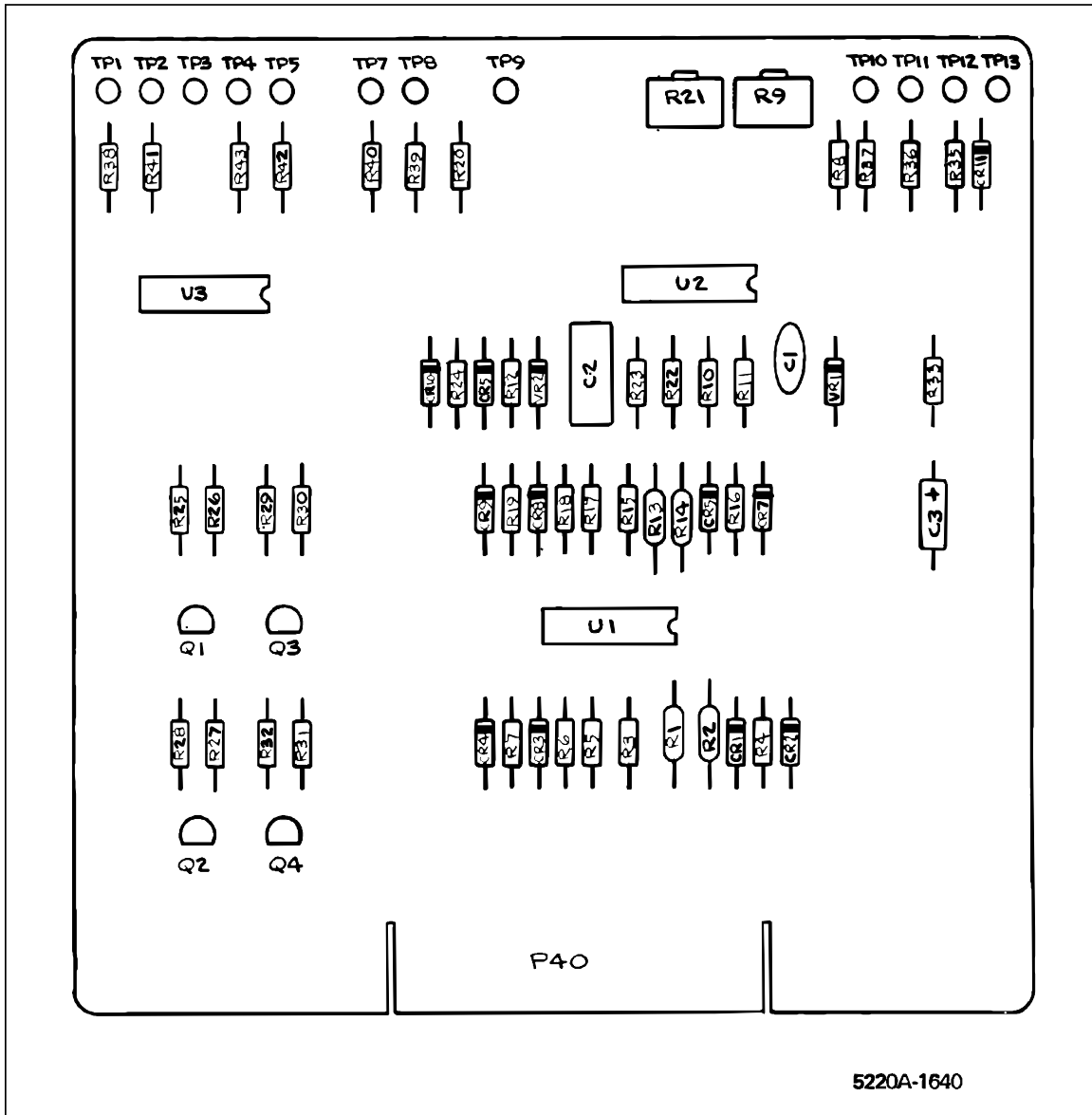


Figure 5-9. A8 Analog Control PCB Assembly

ajs44f.wmf



Table 5-10. A9 Front Panel PCB Assembly

Reference Designator	Description	Fluke Part No.	Total Quantity
C1	Capacitor, CER, 0.22 $\mu$ F, $\pm$ 20 %, 50 V, Z5U	309849	1
DS1 – DS9	LED, Red, PCB mount, Luminous Intensity = 0.5 MCD	369777	9
MP1	Cover, Pushbutton, Switch	401299	3
MP2	Switch Part, SPST, Spring	414516	3
MP3	Switch Part, SPST, Fixed Contact	416875	3
MP4	Pushbutton-Square-, Dark Putty Grey	406728	3
R1 – R9	Resistor, CF, 220 $\Omega$ , $\pm$ 5 %, 0.25 W	342626	9
S1 – S3	Actuator, Switch	412106	3
TP1 – TP2	Terminal, Un-insulated, Feed-through, Hole, Turret	179283	2

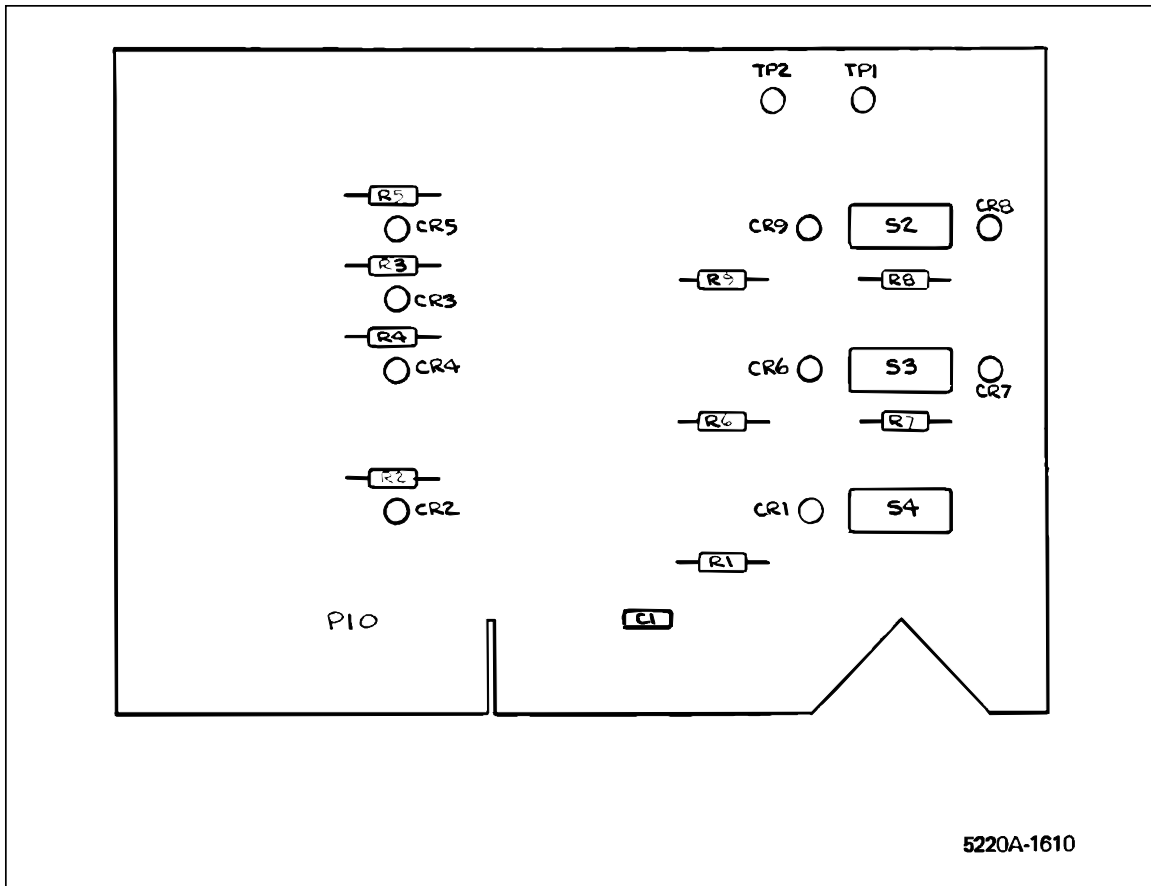










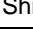



Figure 5-10. A9 Front Panel PCB Assembly

ajs29f.wmf

Table 5-11. A10 Logic PCB Assembly

Reference Designator	Description	Fluke Part No.	Total Quantity
C1, C3, C4	Capacitor, Mica, 100 pF, $\pm 5\%$ , 500 V	148494	3
C2	Capacitor, TA, 4.7 $\mu$ F, $\pm 20\%$ , 25 V	161943	1
C5	Capacitor, TA, 2.2 $\mu$ F, $\pm 20\%$ , 20 V	161927	1
C6 – C8	Capacitor, TA, 1 $\mu$ F, $\pm 10\%$ , 35 V	161919	3
C9	Capacitor, TA, 22 $\mu$ F, $\pm 20\%$ , 15 V	423012	1
C10 – C14	Capacitor, CER, 0.22 $\mu$ F, $\pm 20\%$ , 50 V, Z5U	309849	5
C15	Capacitor, CER, 0.01 $\mu$ F, +80-20%, 100 V, Z5V	149153	1
C16	Capacitor, TA, 0.47 $\mu$ F, $\pm 20\%$ , 35 V	161349	1
CR1 – CR3	 Diode, SI, BV = 75 V, IO = 150 mA, 500 mW	203323	3
R1, R2, R9, R10, R15, R16, R19	Resistor, CF, 220 $\Omega$ , $\pm 5\%$ , 0.25 W	342626	7
R3 – R6, R8, R11, R12, R14, R17, R18, R20, R21	Resistor, CF, 10 k, $\pm 5\%$ , 0.25 W	348839	12
R7, R22	Resistor, CF, 47 k, $\pm 5\%$ , 0.25 W	348896	2
R13, R24, R26	Resistor, CF, 100 k, $\pm 5\%$ , 0.25 W	348920	3
R22	Resistor, CF, 10 k, $\pm 5\%$ , 0.25 W	348839	1
R23, R25	Resistor, CF, 4.7 k, $\pm 5\%$ , 0.25 W	348821	2
TP1, TP2	Terminal, Un-insulated, Feed-through, Hole, Turret	179283	2
U1, U4, U5, U20	Isolator, Opto, LED to Transistor, Dual	454330	4
U2	 IC, CMOS, Quad, 2-Input NAND w/Schmitt Trigger	404632	1
U3	 IC, CMOS, Hex Inverter	404699	1
U6, U19	 IC CMOS, Quad 2-Input AND Gate	408401	2
U7, U10	 IC, CMOS, Dual D F/F, + Edge Trigger	418830	2
U8, U11	 IC, CMOS, Retrigger/Reset Multivibrator	393512	2
U9	 IC, CMOS, Triple 3-Input NOR Gate	355180	1
U12 – U14	 IC, LSTTL, Quad 2-Input NAND Gate	393116	3
U15	 IC, TTL, Dual NAND Driver w/Open Collector	329706	1
U16, U17	 IC, CMOS, Dual D F/F, + Edge Trigger	340117	2
U21	 IC, CMOS, Triple 3-Input OR Gate	408575	1
U22	 IC, LSTTL, 4-Bit Parallel I/O Right and Left Shift Register	393249	1
U23	 IC, Bipolar, Timer, 8-Pin, DIP	402610	1
XU23	Socket, IC, 8-Pin	478016	1
 Indicates a static-sensitive part.			

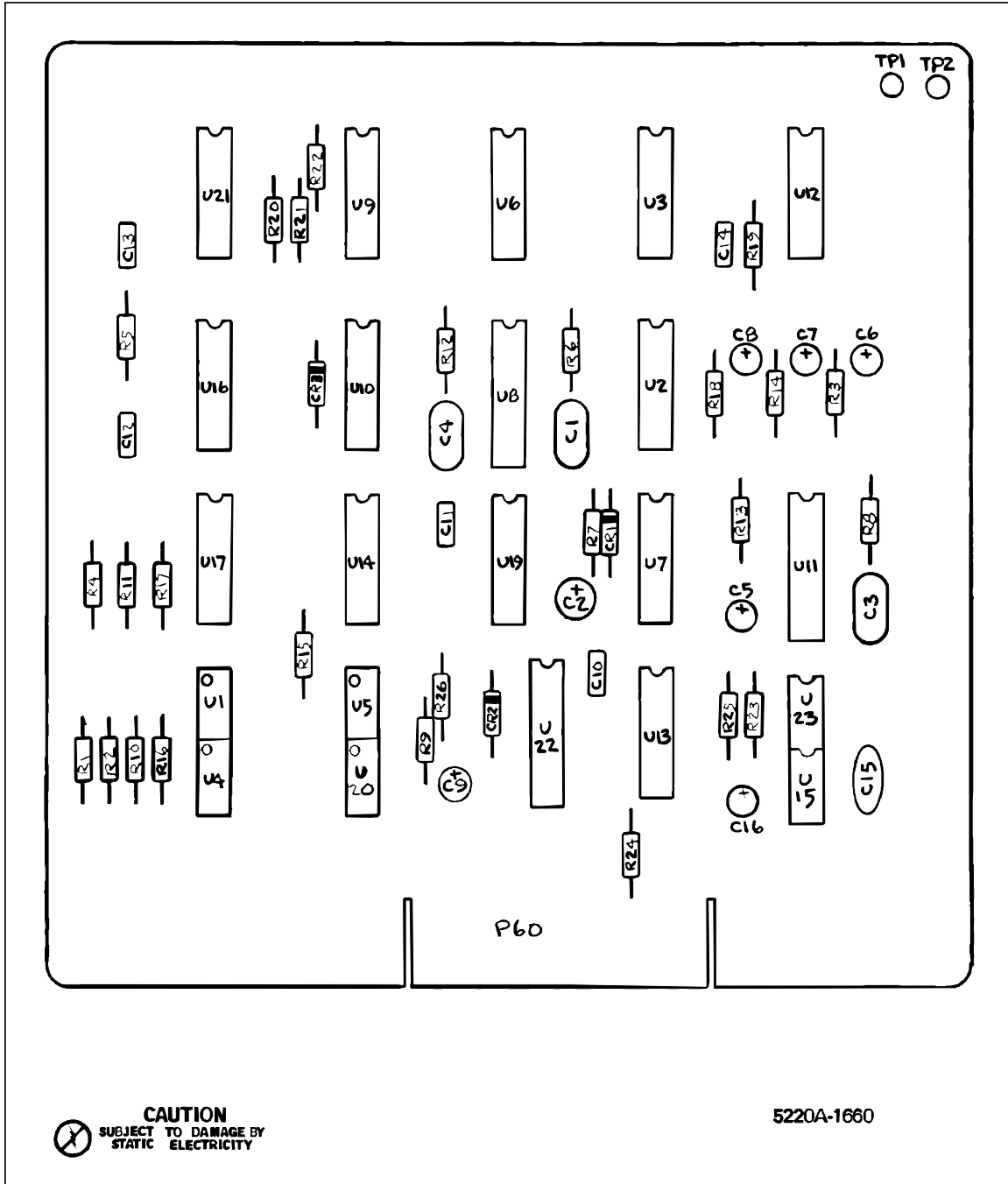










Figure 5-11. A10 Logic PCB Assembly

Table 5-12. A11 MIS Bus Interface PCB Assembly

Reference Designator	Description	Fluke Part No.	Total Quantity
C1	Capacitor, TA, 4.7 $\mu$ F, $\pm$ 20 %, 25 V	161943	1
C2	Capacitor, TA, 22 $\mu$ F, $\pm$ 20 %, 15 V	423012	1
C3, C4	Capacitor, CER, 0.22 $\mu$ F, $\pm$ 20 %, 50 V, Z5U	309849	2
CR1	 Diode, SI, BV = 75.0 V, IO = 150 mA, 500 mW	203323	1
H1	Screw, Machine, PH, P, SEMS, Steel, 4-40, 0.250	185918	2
J71	Connector, Micro-Ribbon, REC, PCB, 24 Position	441337	1
MP1	Connector ACC, Micro-Ribbon, Latch	412700	2
MP2	Connector ACC, Micro-Ribbon, Spring	412718	2
MP3	Spacer, Swaged, Round, Brass, 4-40 x 0.187	335604	2
MP4	Spacer, Swaged, Round, Brass, 6-32 x 0.570	261875	1
R1 – R12	Resistor, CF, 10 k, $\pm$ 5 %, 0.25 W	348839	12
R14 – R22	Resistor, CF, 1 k, $\pm$ 5 %, 0.25 W	343426	9
R23	Resistor, CF, 47 k, $\pm$ 5 %, 0.25 W	348896	1
TP1 – TP2	Terminal, Un-insulated, Feed-through, Hole, Turret	179283	2
U1	 IC, CMOS, Quad D F/F, + Edge Trigger, w/Clear	452912	1
U2 – U7	 IC, LSTTL, Quad 2-Input NAND Gate	394205	2
U3	 IC, CMOS, Hex Inverter	404699	1
U4	 IC, CMOS, Quad 2-Input NAND Gate	418509	1
U5	 IC, CMOS, Triple 3-Input NAND Gate	418244	1
U6	 IC, LSTTL, Quad 2-Input NAND Gate	393116	1
 Indicates a static-sensitive part.			

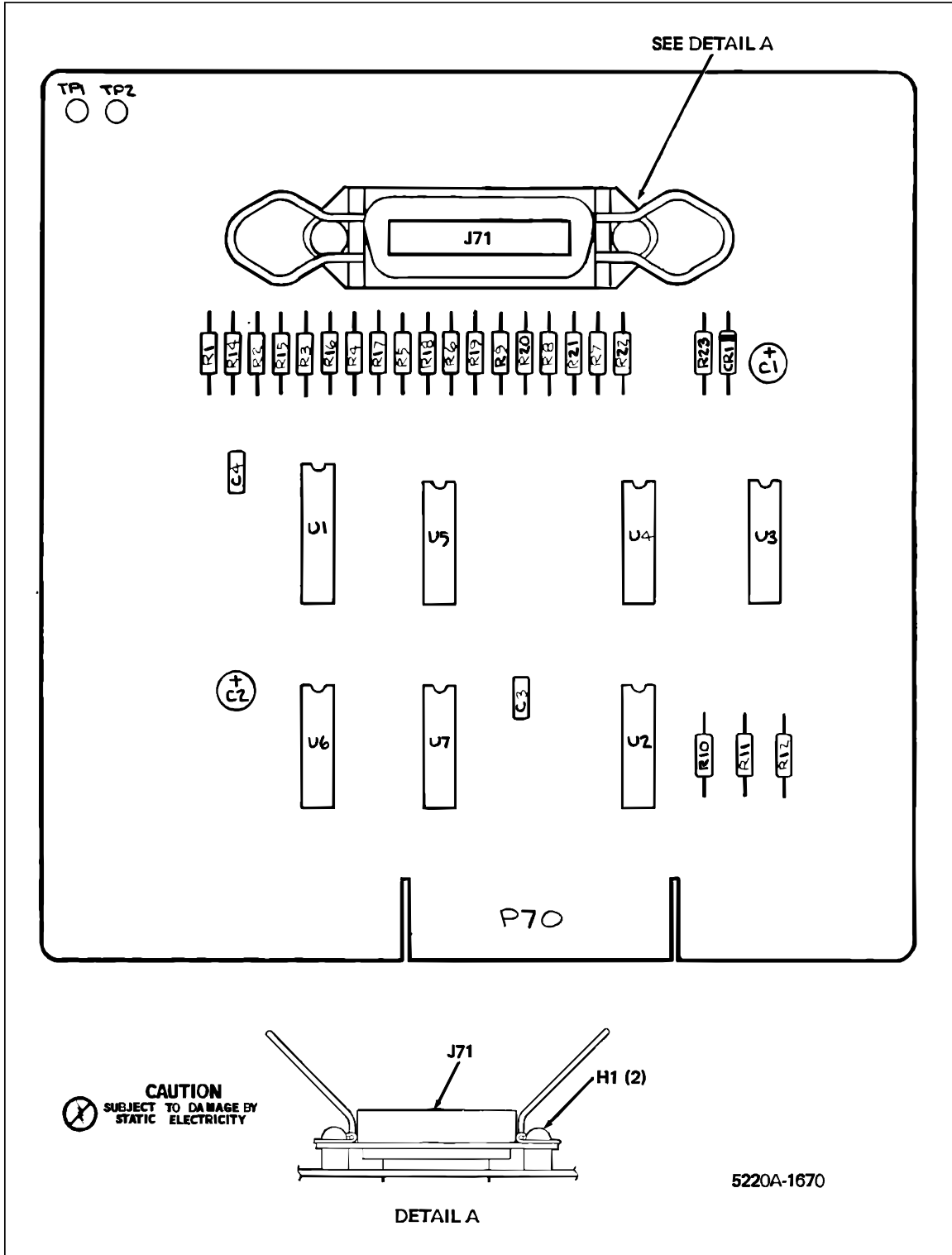
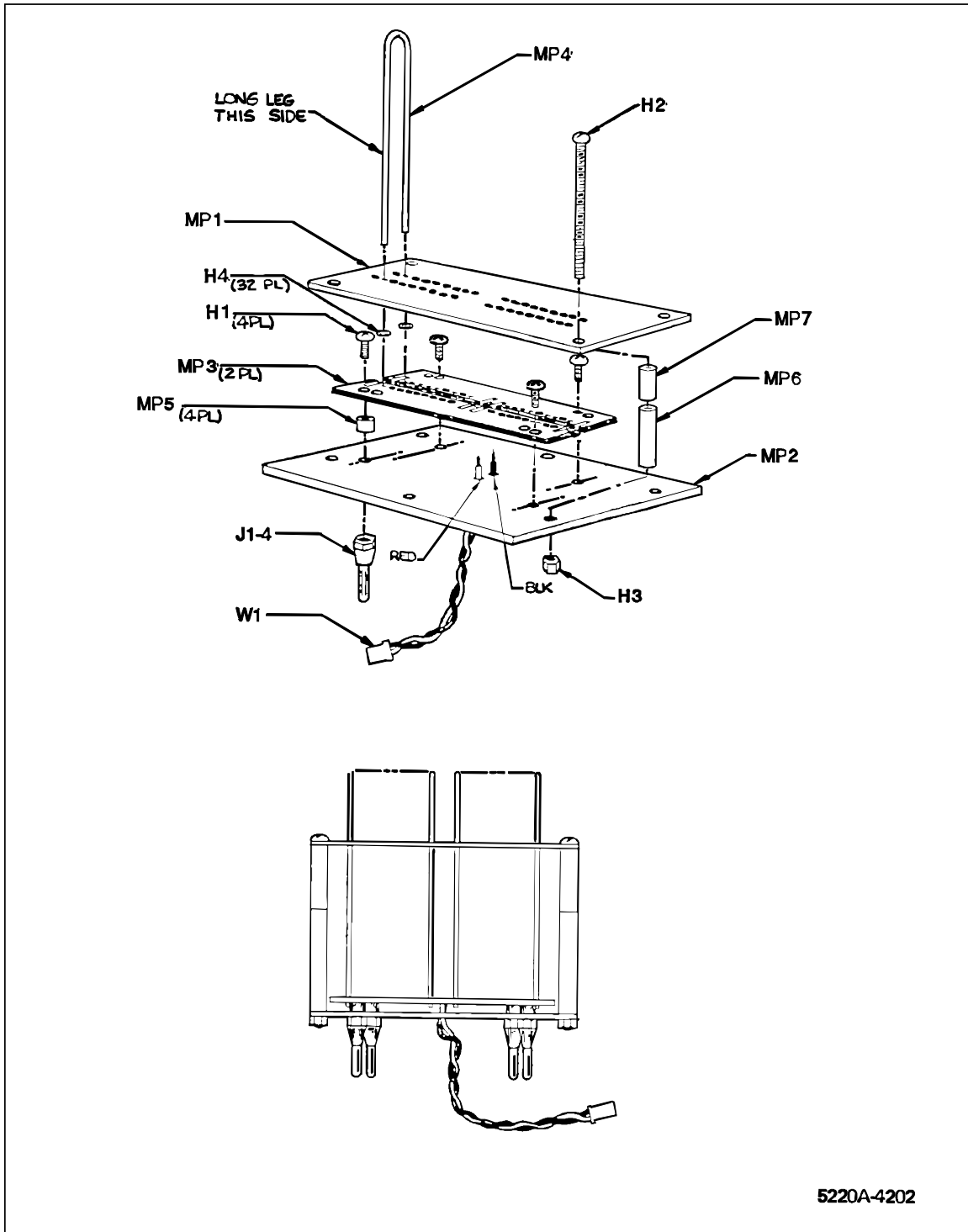


Figure 5-12. A11 MIS Bus PCB Assembly

ajs31f.wmf

*Note**The A12 shunt assembly is a suggested non-repairable assembly.***Table 5-13. A12 Shunt Assembly**

<b>Reference Designator</b>	<b>Description</b>	<b>Fluke Part No.</b>	<b>Total Quantity</b>
H1	Screw, Machine, SEMS, PH, P, Steel, 6-32 x 0.500	177030	4
H2	Screw, Machine, RH, SL, Steel, 6-32 x 2.750	115022	4
H3	Nut, Mini, Hex, SS, 6-32	110569	4
H4	Solder, Tin-Lead Alloy, Preform Ring	516989	32
J1 – J4	Banana Plug, Panel	101543	4
MP1	Top Support, Shunt	489906	1
MP2	Bottom Support, Shunt	489914	1
MP3	Terminal, Shunt	489922	2
MP4	Element, Shunt	524397	16
MP5	Spacer, Round, Aluminum, 0.156 ID x 0.156	157792	4
MP6	Spacer, Round, Aluminum, 0.156 ID x 1.500	104257	4
MP7	Spacer, Round, Aluminum, 0.156 ID x 1.000	102905	4
W1	Cable, Shunt	502674	1



5220A-4202

ajs32f.wmf

Figure 5-13. A12 Shunt Assembly

Table 5-14. A13 Output Termination PCB Assembly

Reference Designator	Description	Fluke Part No.	Total Quantity
C1	Capacitor, CER, 0.025 $\mu$ F, 20 %, 100 V, Z5W	168435	1
C2	Capacitor, CER, 0.1 $\mu$ F, +80-20 %, 25 V, Z5U	369199	1
R1	Resistor, MF, 40.2, $\pm$ 1 %, 0.125 W, 100 PPM	245373	1
R2	Resistor, CF, 10 $\Omega$ , $\pm$ 5 %, 0.25 W	340075	1

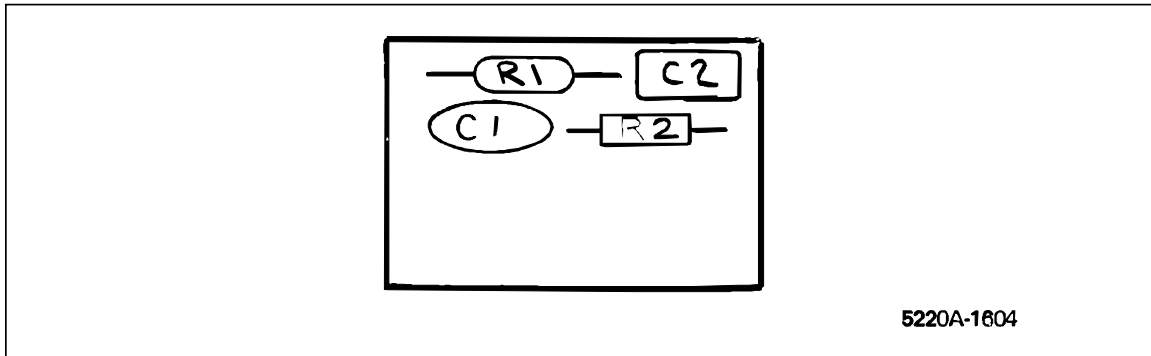


Figure 5-14. A13 Output Termination PCB

ajs33f.wmf



Table 5-15. A14 Extender PCB Assembly

Reference Designator	Description	Fluke Part No.	Total Quantity
H1	Screw, Machine, SEMS, PH, P, Steel, 6-32, 0.250	178533	4
H2	Rivet, S-Tub, Oval, Steel, 0.118 x 0.218	103606	2
J1	Connector, PCB Edge, REC, 0.150 CTR, 40 Position	422550	1
J2	Connector, ACC, PCB Edge, Polarizing Insert	424572	1
MP1	Bracket, Right Angle, Tapped, Brass, 6-32	404525	4

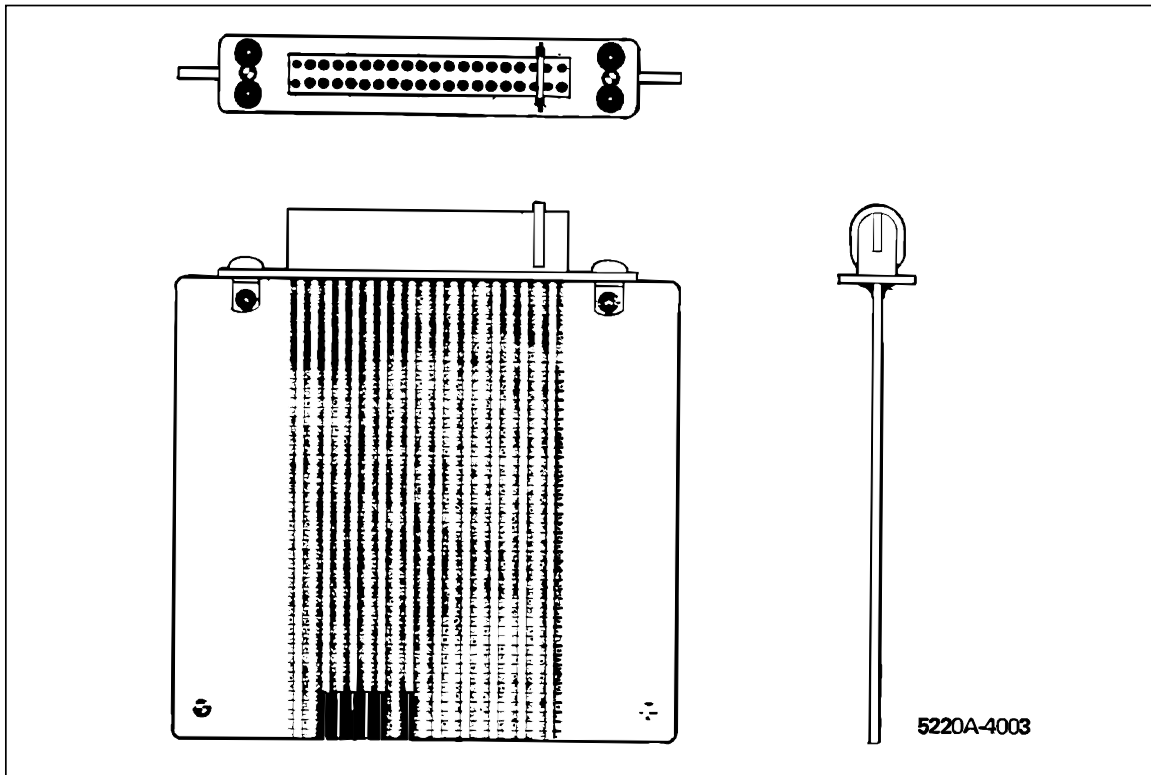


Figure 5-15. A14 Extender PCB Assembly

ajs34f.wmf



## **Section 6**

# **Option and Accessory Information**

### **6-1. Introduction**

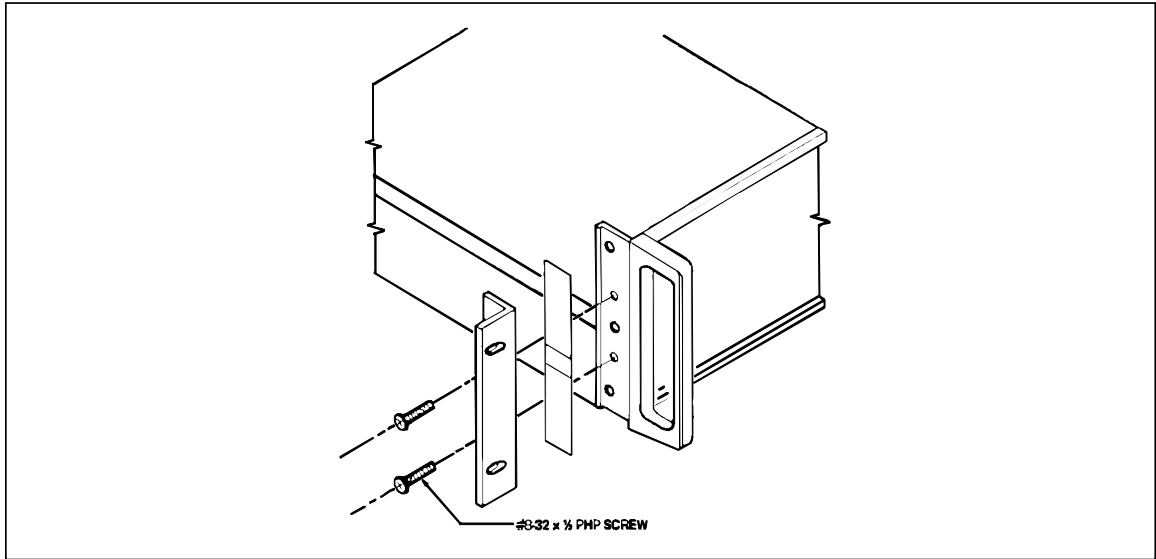
This section of the manual documents the options and accessories available for use with the 5220A. Currently, there are no options, and the accessories are limited to a choice of two rack-mounting kits and a precision current shunt for calibration purposes. Each is described in the following accessories subsection.

### **6-2. Accessories**

#### **6-3. Rack Mounting Kit (M08-205-600)**

The 5220A can be rack mounted in a standard 19-inch equipment rack using Rack Mounting Kit M08-205-600. Use the following procedure to install the kit:

1. Peel off the name plate decals from the front side corners of the instrument.
2. Remove the front corner screws that match the hole pattern in the rack mounting ears (see Figure 6-1).
3. Attach the rack mounting ears to the front corners of the unit using the screws supplied in the rack mounting kit.



ajs45f.wmf

Figure 6-1. Rack Mounting Kit

**6-4. Rack Slide Kit (M00-280-610)**

The 5220A can be rack mounted in a 24-inch deep equipment rack using the Rack Slide Kit, model M00-280-610. Use the following procedure to install the kit:

1. Remove the horizontal side trim decal from both sides of the instrument.
2. Refer to Figure 6-2. Using the screws supplied with the kit, attach the chassis section (B) of the slide kit to each side of the unit. Use the center row of mounting holes.
3. Install the cabinet section (D) of the center section (C) in the equipment rack.
4. Pull the center section of the slide out through the front of the equipment rack until it locks in the extended position.
5. Depress the spring locks on the chassis section (B) and join sections B and C.
6. Push the instrument into the equipment rack and then pull it out to the extended position. The spring locks should limit the rack slide travel.

**6-5. Precision Y5020A Current Shunt**

The Model Y5020A is a precision, high-current shunt recommended for use in calibrating the Model 5220A Transconductance Amplifier. An instruction manual is supplied with the unit.

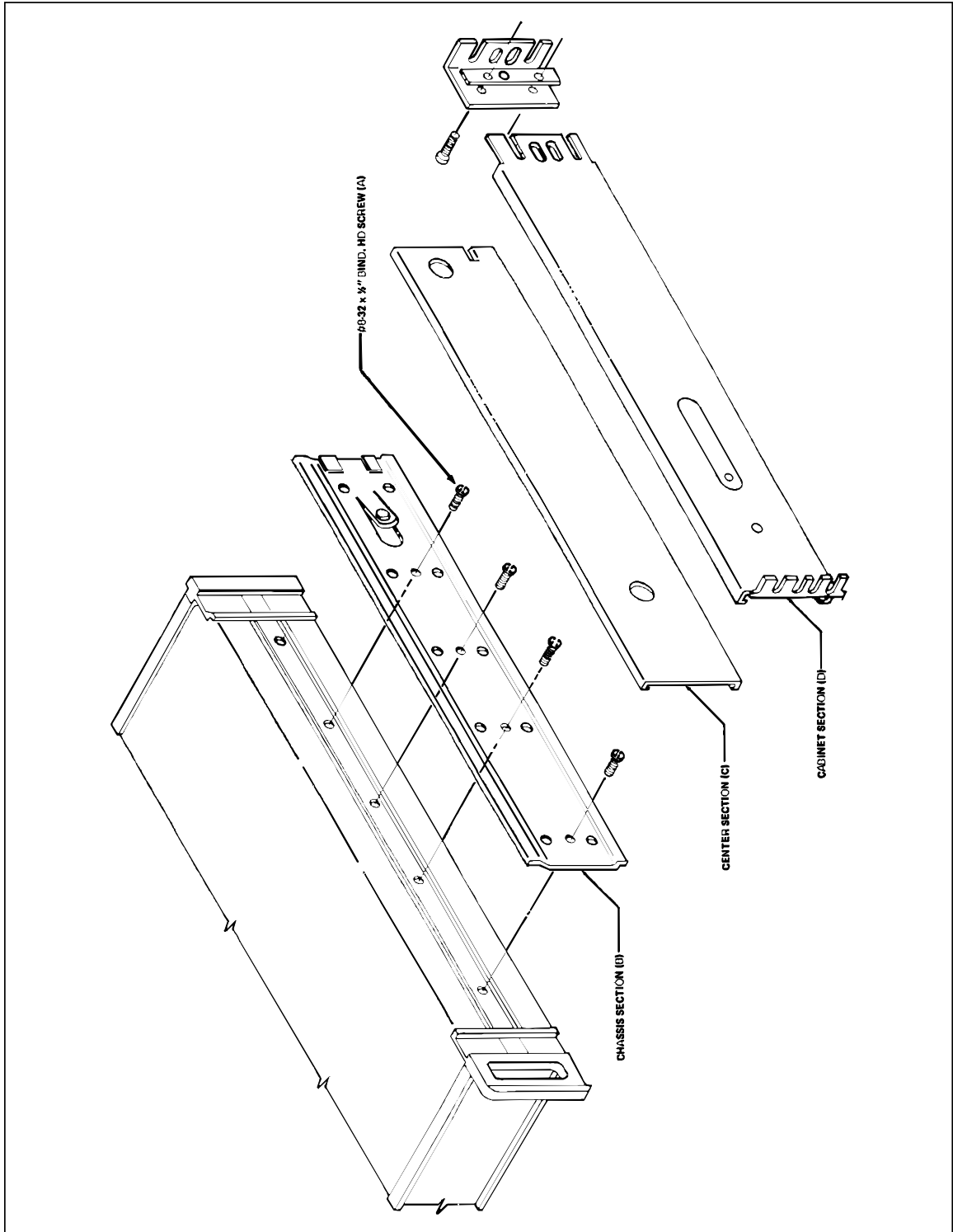
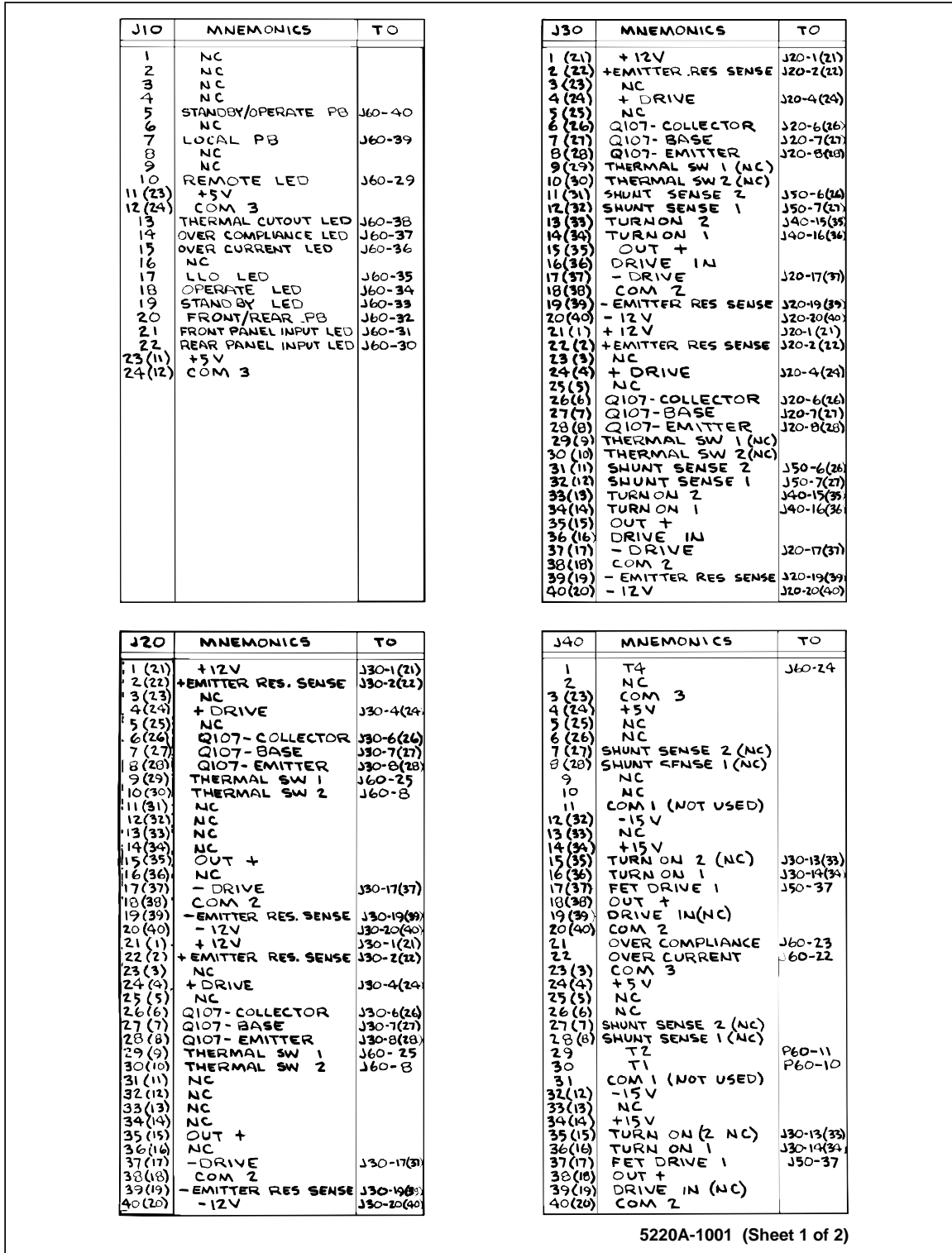


Figure 6-2. Rack Slide Kit

ajs46f.wmf

**Chapter 7**  
**Schematic Diagrams**



5220A-1001 (Sheet 1 of 2)

ajs47f.wmf



J30	MNEMONICS	TO
1	COM 3	
2	RELAY 1	J60-19
3	REAR INPUT LO	J70-20
4	FRONT INPUT LO	
5	NC	
6(26)	SHUNT SENSE 2	J30-11(31)
7(27)	SHUNT SENSE 1	J30-12(32)
8	NC	
9	NC	
10	NC	
11	NC	
12(32)	-15V	
13(33)	COM 1	
14(34)	+15V	
15(35)	NC	
16	NC	
17	NC	
18	NC	
19(39)	DRIVE IN	
20	NC	
21	+5V	
22	RELAY 2	J60-20
23	REAR INPUT HI	J70-40
24	FRONT INPUT HI	
25	NC	
26(6)	SHUNT SENSE 2	J30-11(31)
27(7)	SHUNT SENSE 1	J30-12(32)
28	NC	
29	NC	
30	NC	
31	NC	
32(12)	-15V	
33(13)	COM 1	
34(14)	+15V	
35(15)	NC	
36	NC	
37	FET DRIVE 1	J40-17(37)
38	NC	
39(19)	DRIVE IN	
40	NC	

J60	MNEMONICS	TO
1(21)	+5 150	
2	REMOTE	J70-4(24)
3	LLO	J70-6(26)
4	OPERATE	J70-5(25)
5	REAR	J70-7(27)
6(26)	COM 3	
7(27)	+5V	
8	THERMAL SW 2	J20-10(30)
9	NC	
10	T1	J40-30
11	T2	J40-29
12	NC	
13	NC	
14	LINE MON	J90-14(34)
15	NC	
16	INTERFACE REMOTE STATUS	J70-14(34)
17	INTERFACE OPERATE STATUS	J70-15(35)
18	INTERFACE OVERLOAD STATUS	J70-16(36)
19	RELAY 1	J50-2
20	RELAY 2	J50-22
21(1)	+5 150	
22	OVER CURRENT	J40-22
23	OVER COMPLIANCE	J40-21
24	T4	J40-1
25	THERMAL SW 1	J20-9(29)
26(6)	COM 3	
27(7)	+5V	
28	NC	
29	REMOTE LED	J10-10
30	REAR PANEL INPUT LED	J10-22
31	FRONT PANEL INPUT LED	J10-21
32	REAR/FRONT PB	J10-20
33	STAND BY LED	J10-19
34	OPERATE LED	J10-18
35	LLO LED	J10-17
36	OVER CURRENT LED	J10-15
37	OVER COMPLIANCE LED	J10-14
38	THERMAL CUTOFF LED	J10-13
39	LOCAL PB	J10-7
40	STANDBY/OPERATE PB	J10-5

J70	MNEMONICS	TO
1(21)	+5 150	
2(22)	COM 4	
3	NC	
4(24)	REMOTE	J60-2
5(25)	OPERATE	J60-4
6(26)	LLO	J60-3
7(27)	REAR	J60-5
8	NC	
9	NC	
10	NC	
11	NC	
12	NC	
13	NC	
14(34)	INTERFACE REMOTE STATUS	J60-16
15(35)	INTERFACE OPERATE STATUS	J60-17
16(36)	INTERFACE OVERLOAD STATUS	J60-18
17	NC	
18	NC	
19	NC	
20	REAR INPUT LO	J50-3
21(1)	+5 150	
22(2)	COM 4	
23	NC	
24(24)	REMOTE	J60-2
25(25)	OPERATE	J60-4
26(26)	LLO	J60-3
27(27)	REAR	J60-5
28	NC	
29	NC	
30	NC	
31	NC	
32	NC	
33	NC	
34(14)	INTERFACE REMOTE STATUS	J60-16
35(15)	INTERFACE OPERATE STATUS	J60-17
36(16)	INTERFACE OVERLOAD STATUS	J60-18
37	NC	
38	NC	
39	NC	
40	REAR INPUT HI	J50-23

J71	MNEMONICS	TO
1	COM 4	
2	W/R	
3	NC	
4	AUX COM	
5	AUX COM	
6	AUX OUT	
7	NC	
8	BD 0	
9	BD 1	
10	BD 2	
11	BD 3	
12	NC	
13	NC	
14	ACK	
15	NC	
16	NC	
17	NC	
18	NC	
19	NC	
20	NC	
21	BC 6	
22	BC 3	
23	BC 2	
24	BC 0	

J80	MNEMONICS	TO
1	NC	
2	NC	
3	NC	
4	NC	
5	NC	
6	NC	
7(21)	CHASSIS	J1-2
8	NO PIN	
9(23)	LO LINE	PWR SW
10	NO PIN	
11(25)	HI LINE	PWR SW
12	NO PIN	
13	NC	
14	FAN	J1-4
15	NC	
16	NC	
17	NC	
18	NC	
19	NC	
20	NC	
21(7)	CHASSIS	J1-2
22	NO PIN	
23(9)	LO LINE	PWR SW
24	NO PIN	
25(11)	HI LINE	PWR SW
26	NO PIN	
27	FAN	J1-6
28	NC	

J90	MNEMONICS	TO
1(21)	6S	J85-1(13)
2(22)	6F	J85-2(14)
3(23)	NC	
4(24)	NC	
5(25)	COM 4	
6(26)	+5 150	
7(27)	NC	
8(28)	NC	
9(29)	3S	J85-6(18)
10(30)	3F	J85-8(20)
11(31)	+15V	
12(32)	COM 1	
13(33)	-15V	
14(34)	LINE MON	J60-14
15(35)	COM 3	
16(36)	+5V	
17(37)	NC	
18(38)	NC	
19(39)	3S	J85-11(23)
20(40)	3F	J85-12(24)
21(1)	6S	J85-1(13)
22(2)	5F	J85-2(14)
23(3)	NC	
24(4)	NC	
25(5)	COM 4	
26(6)	+5 150	
27(7)	NC	
28(8)	NC	
29(9)	3S	J85-6(18)
30(10)	3F	J85-8(20)
31(11)	+15V	
32(12)	COM 1	
33(13)	-15V	
34(14)	LINE MON	J60-14
35(15)	COM 3	
36(16)	+5V	
37(17)	NC	
38(18)	NC	
39(19)	3S	J85-11(23)
40(20)	5F	J85-12(24)

J85	MNEMONICS	TO
1(13)	6S	J90-1(21)
2(14)	6F	J90-2(22)
3(15)	CHASSIS	
4(16)	NC	
5(17)	NC	
6(18)	3S	J90-9(29)
7(19)	COM 1	J90-12(32)
8(20)	3F	J90-10(30)
9(21)	NC	
10(22)	NC	
11(23)	5S	J90-19(39)
12(24)	5F	J90-20(40)

J1	MNEMONICS	TO
1	NC	
2	CHASSIS (SH)	
3	NO PIN	
4	FAN (RED)	J80-14
5	NO PIN	
6	FAN (GRN)	J80-27
7	NO PIN	
8	HI LINE (BLK)	PWR SW
9	NO PIN	
10	LO LINE (WHT)	PWR SW

5220A-1001  
(Sheet 1 Continued)

ajs48f.wm

Figure 7-1. Interconnect Diagram (cont.)

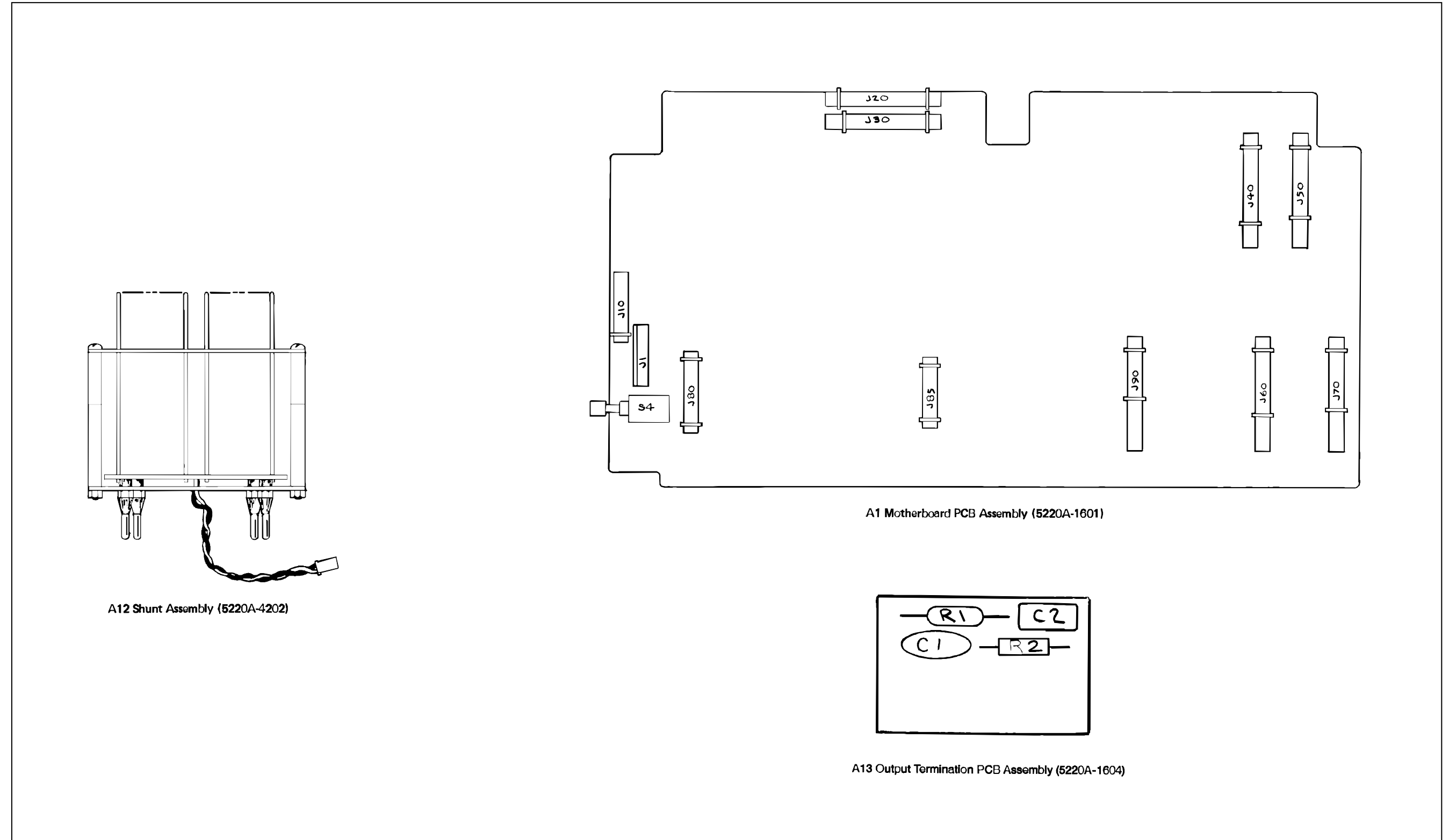


Figure 7-2. Chassis Wiring

ajs49f.wmf

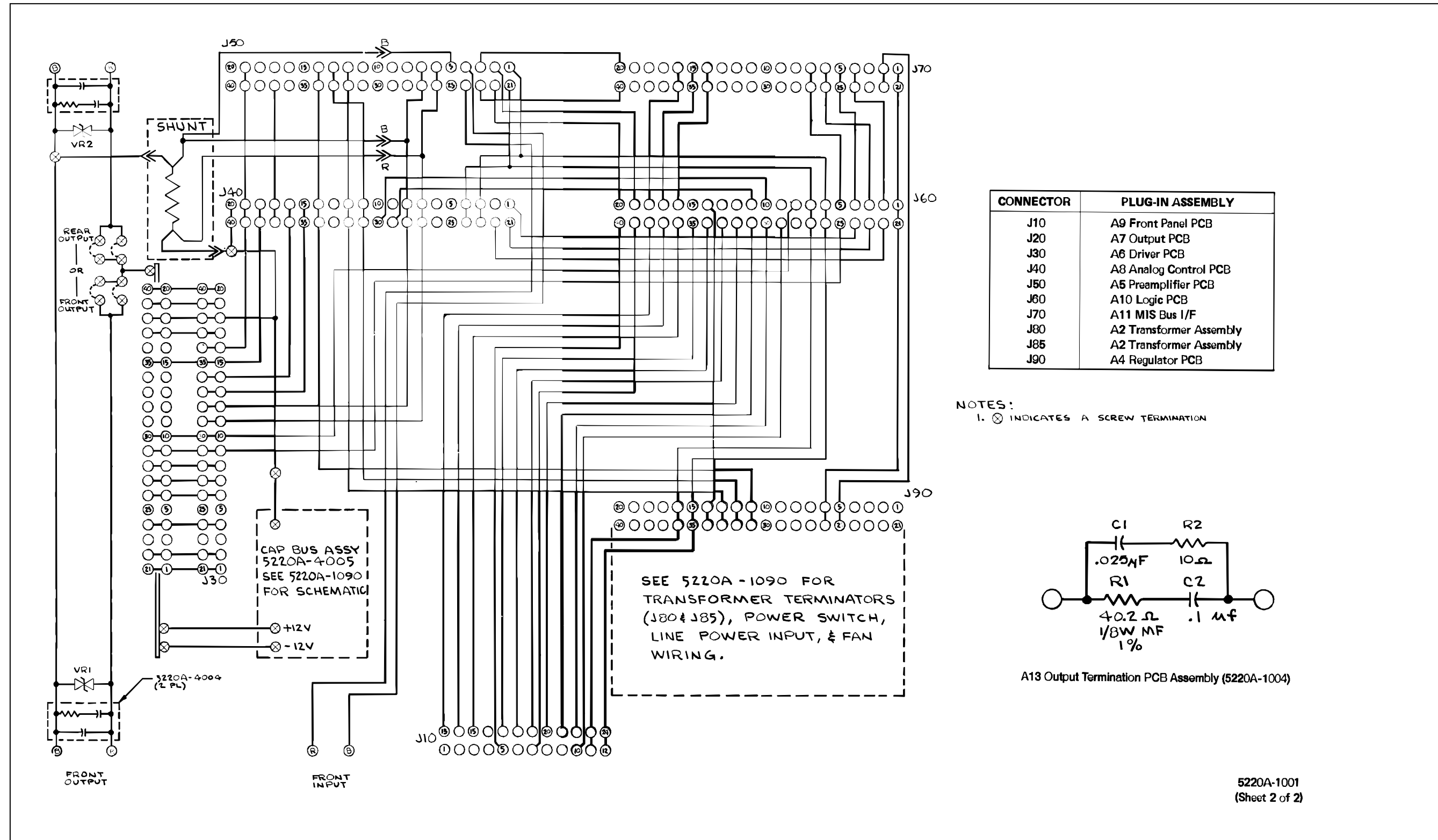
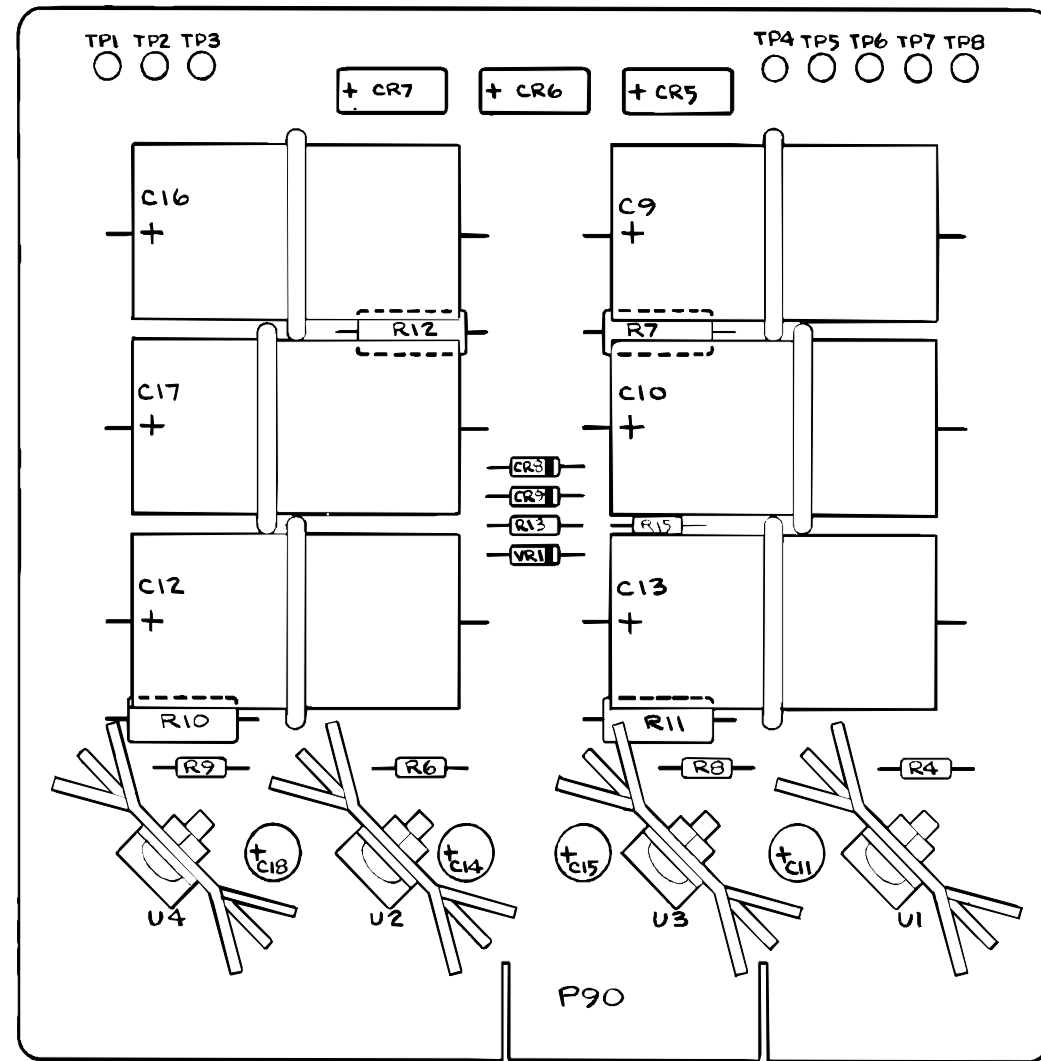
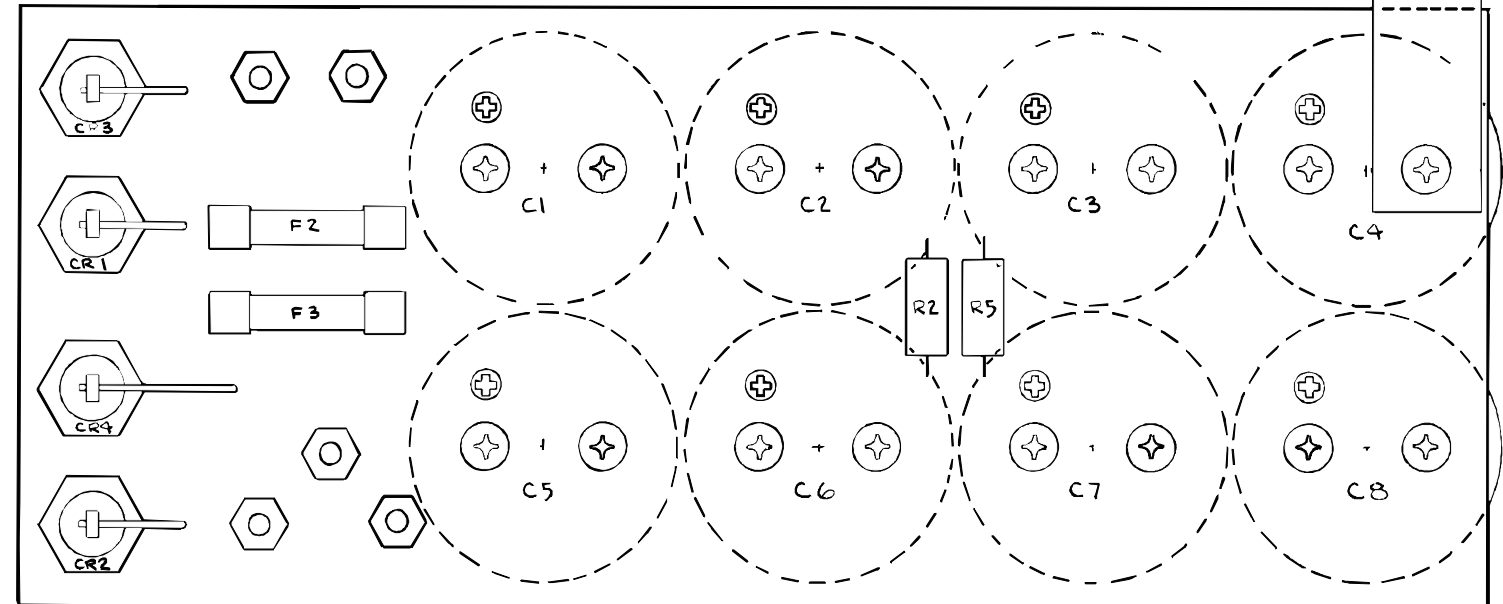


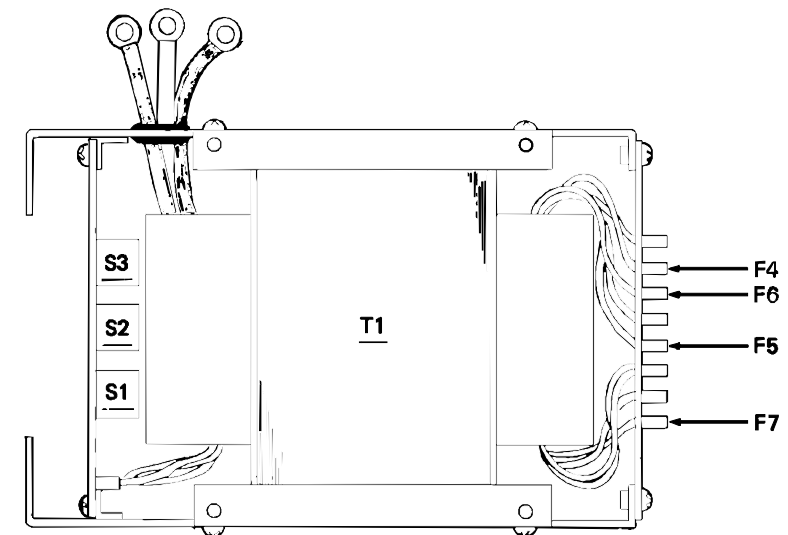
Figure 7-2. Chassis Wiring (cont.)



A4 Regulator PCB Assembly (5220A-1690)



A3 Capacitor Bus PCB Assembly (5220A-1605)



A2 Power Transformer Assembly (5220A-4201)

Figure 7-3. Power Supply

ajs51f.wmf

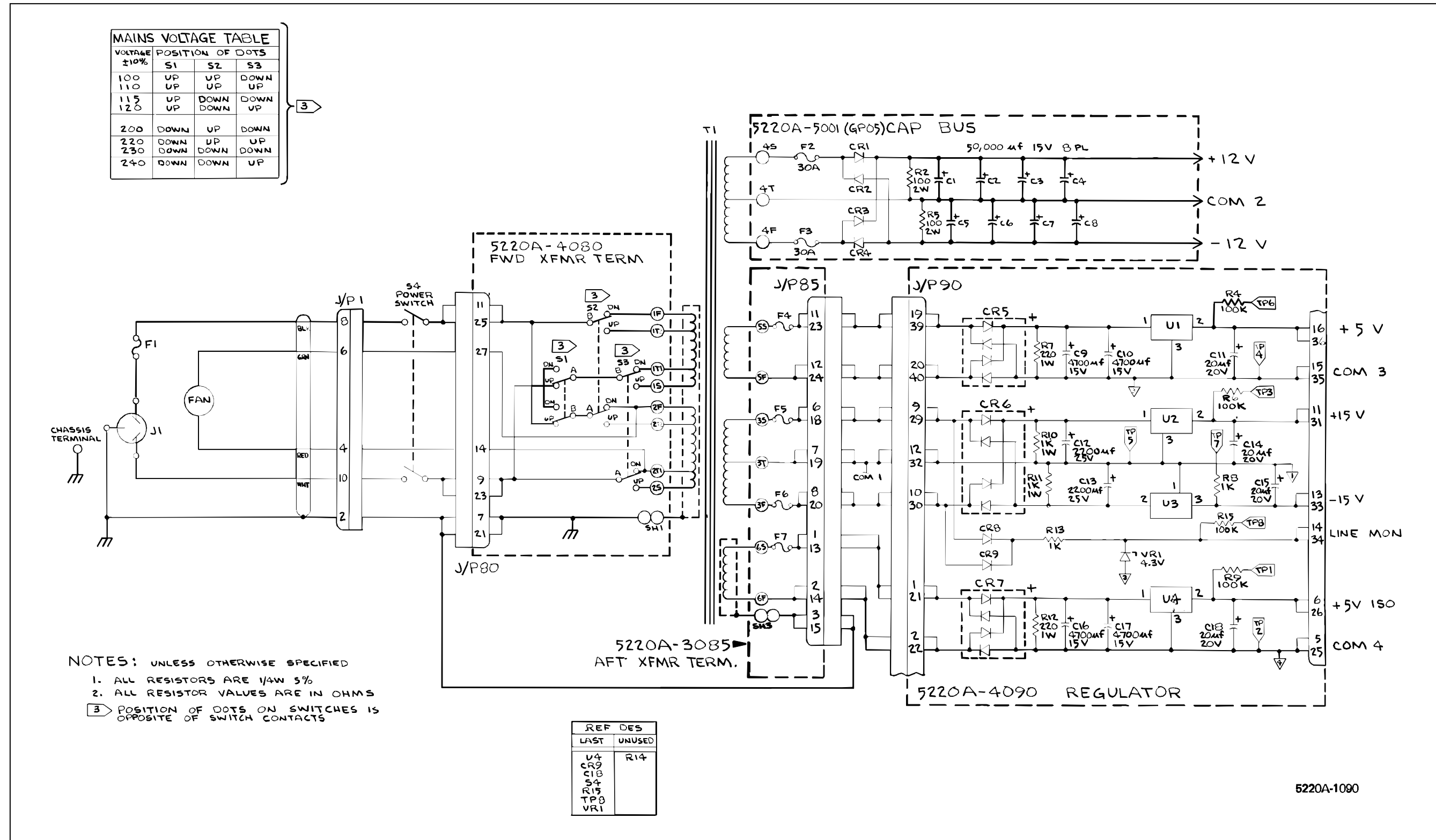
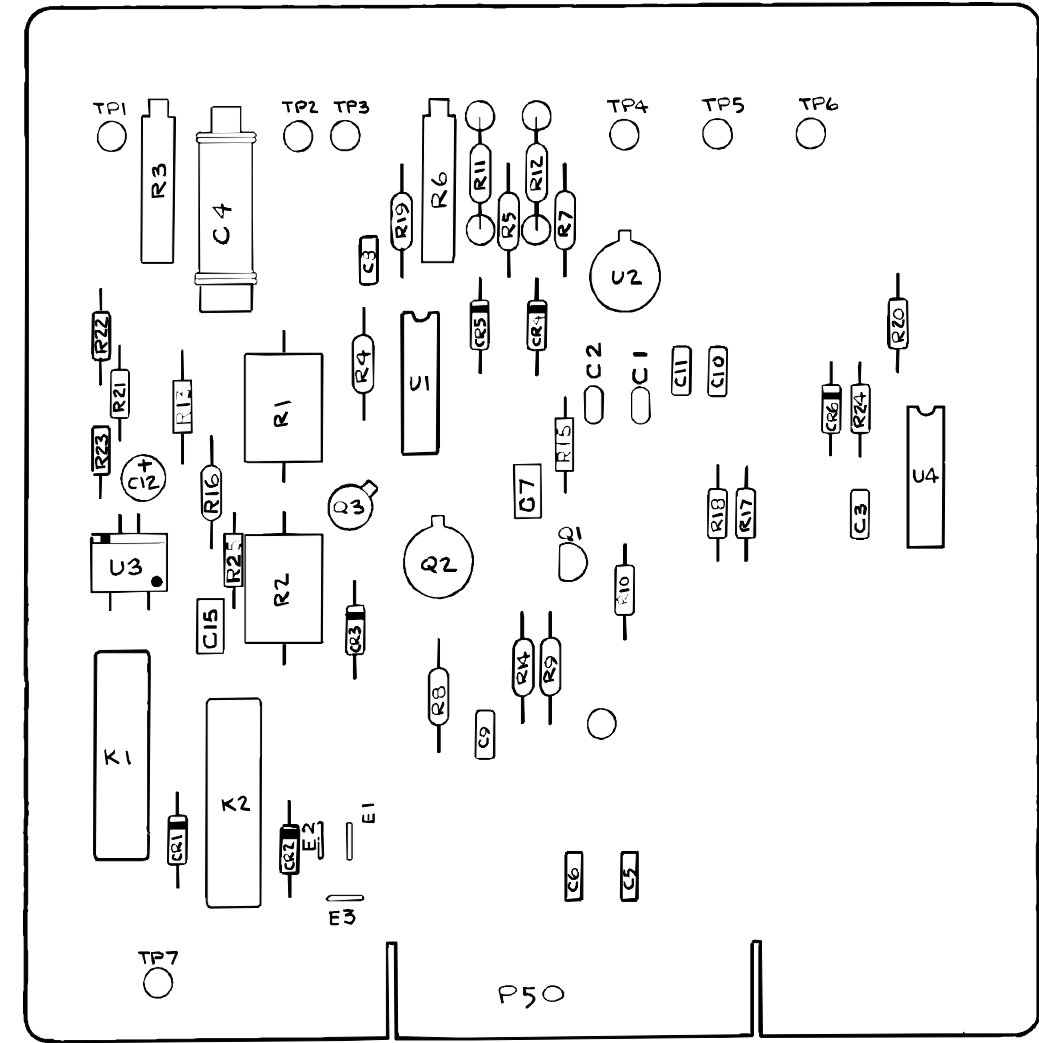


Figure 7-3. Power Supply (cont.)



5220A-1650

Figure 7-4. A5 Preamp PCB Assembly

ajs53f.wmf

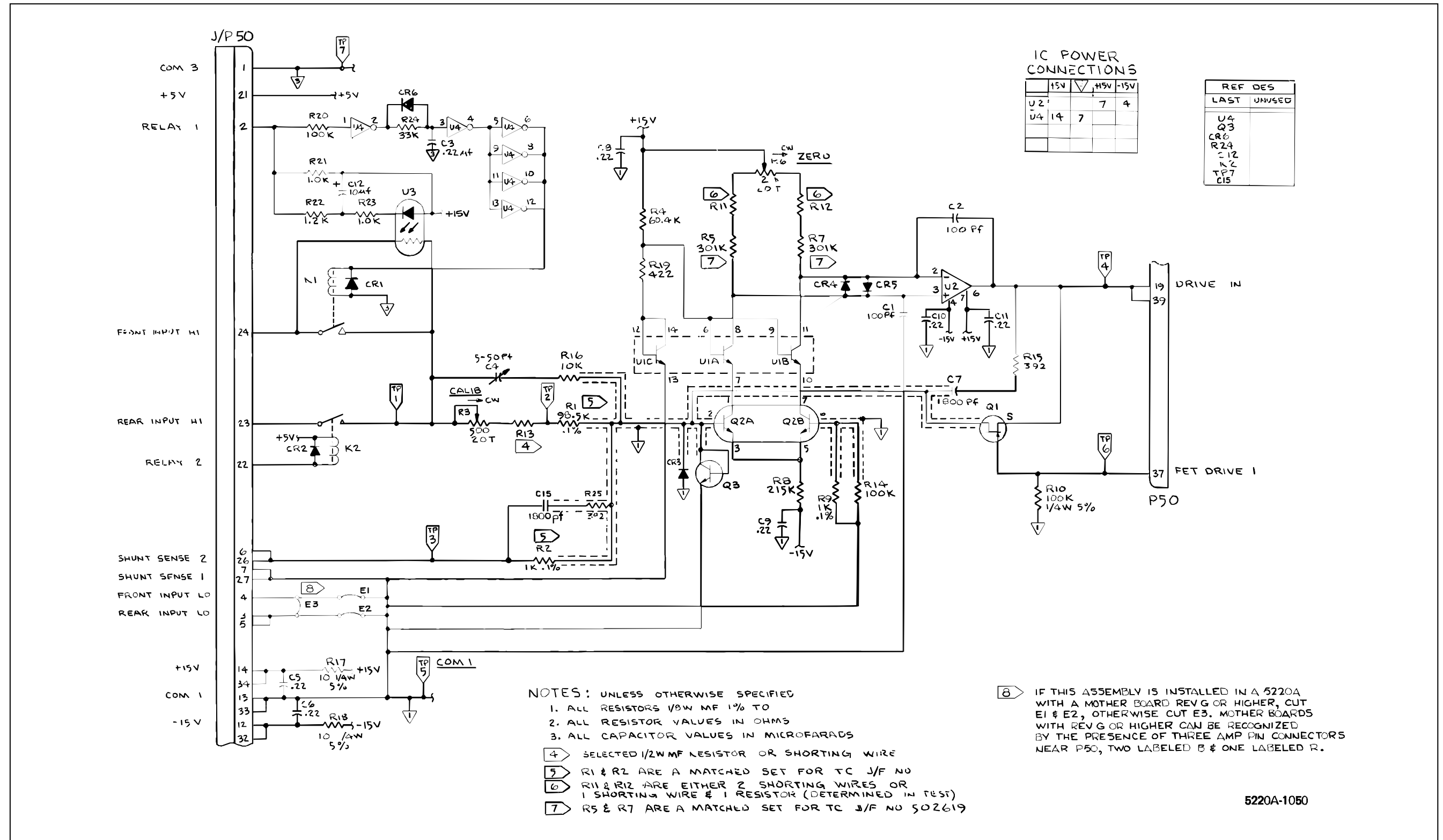
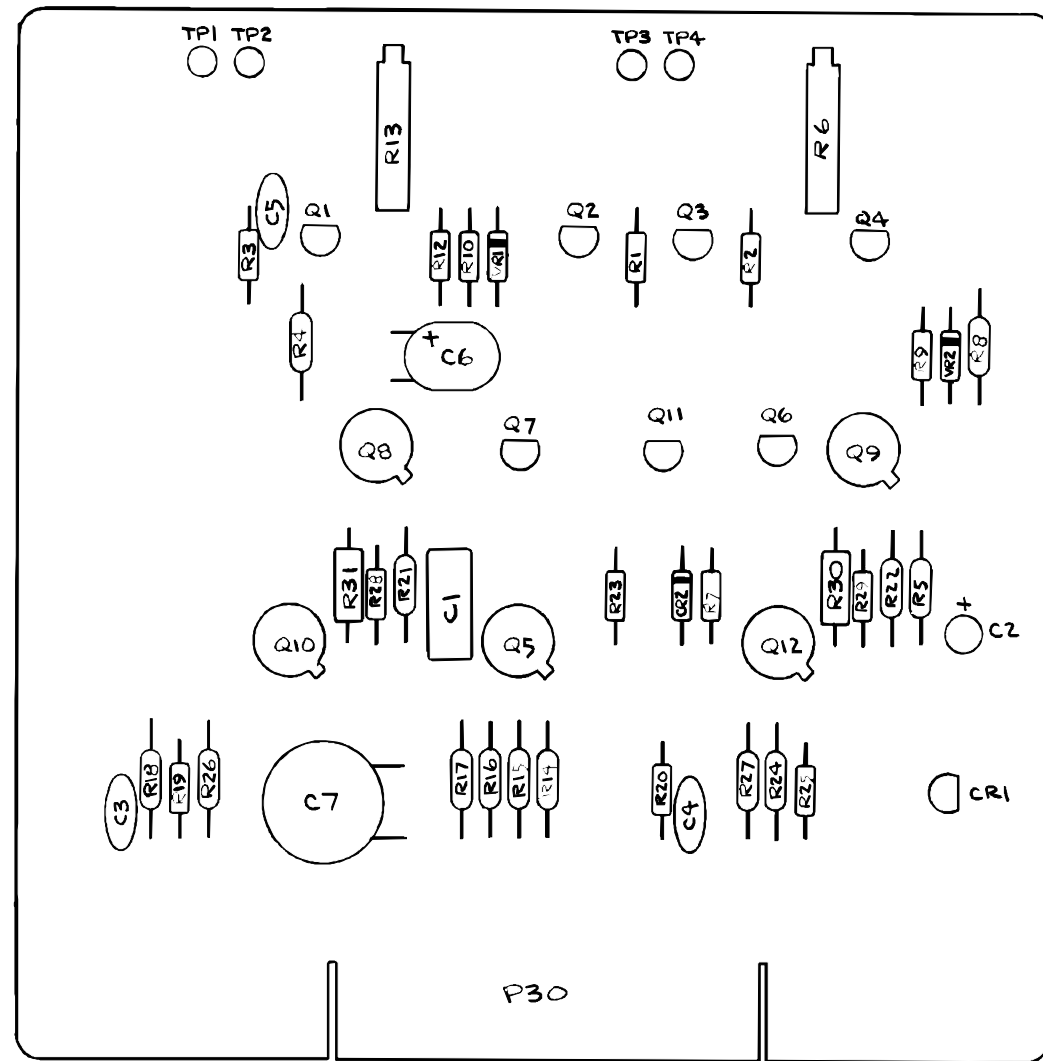
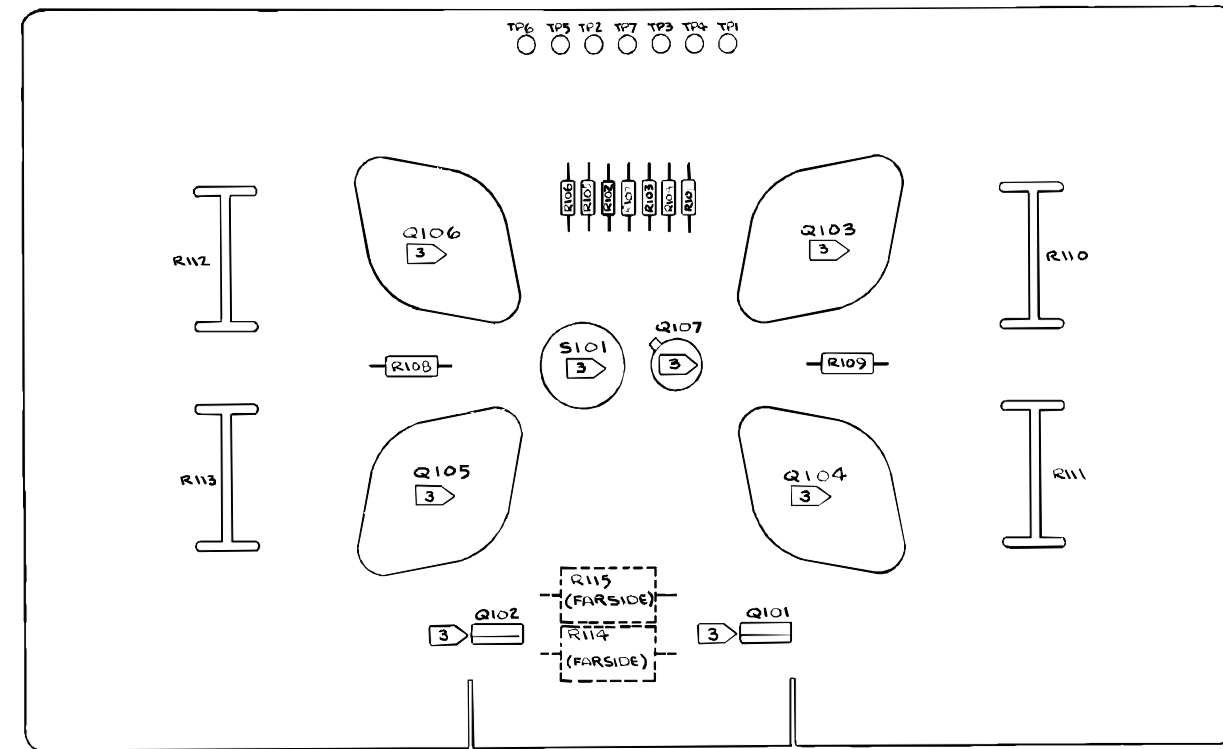


Figure 7-4. A5 Preamplifier PCB Assembly (cont.)



A6 Driver PCB Assembly (5220A-1630)



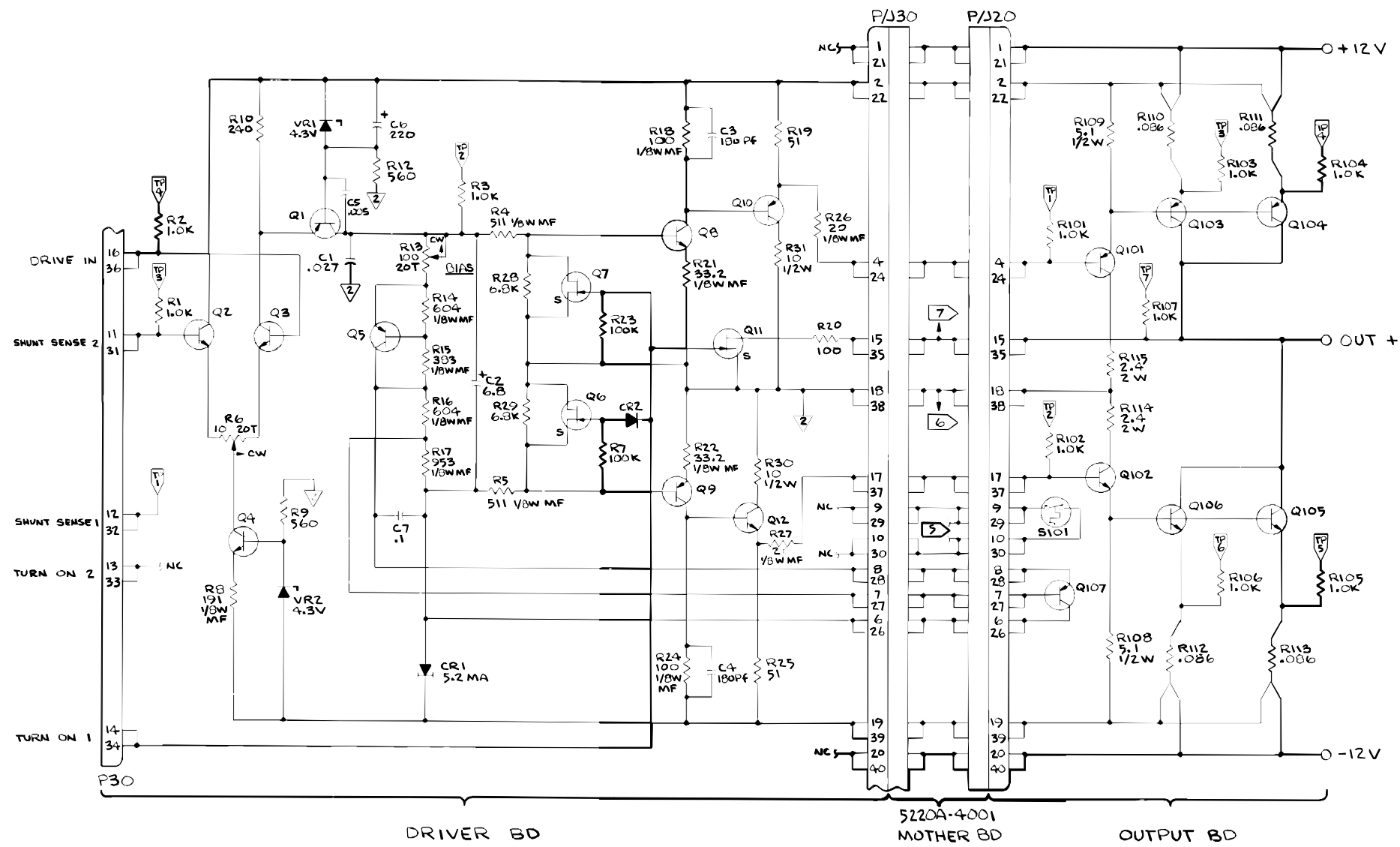
A7 Output PCB Assembly (5220A-1620)

Figure 7-5. A6 Driver and A7 Output PCB Assemblies



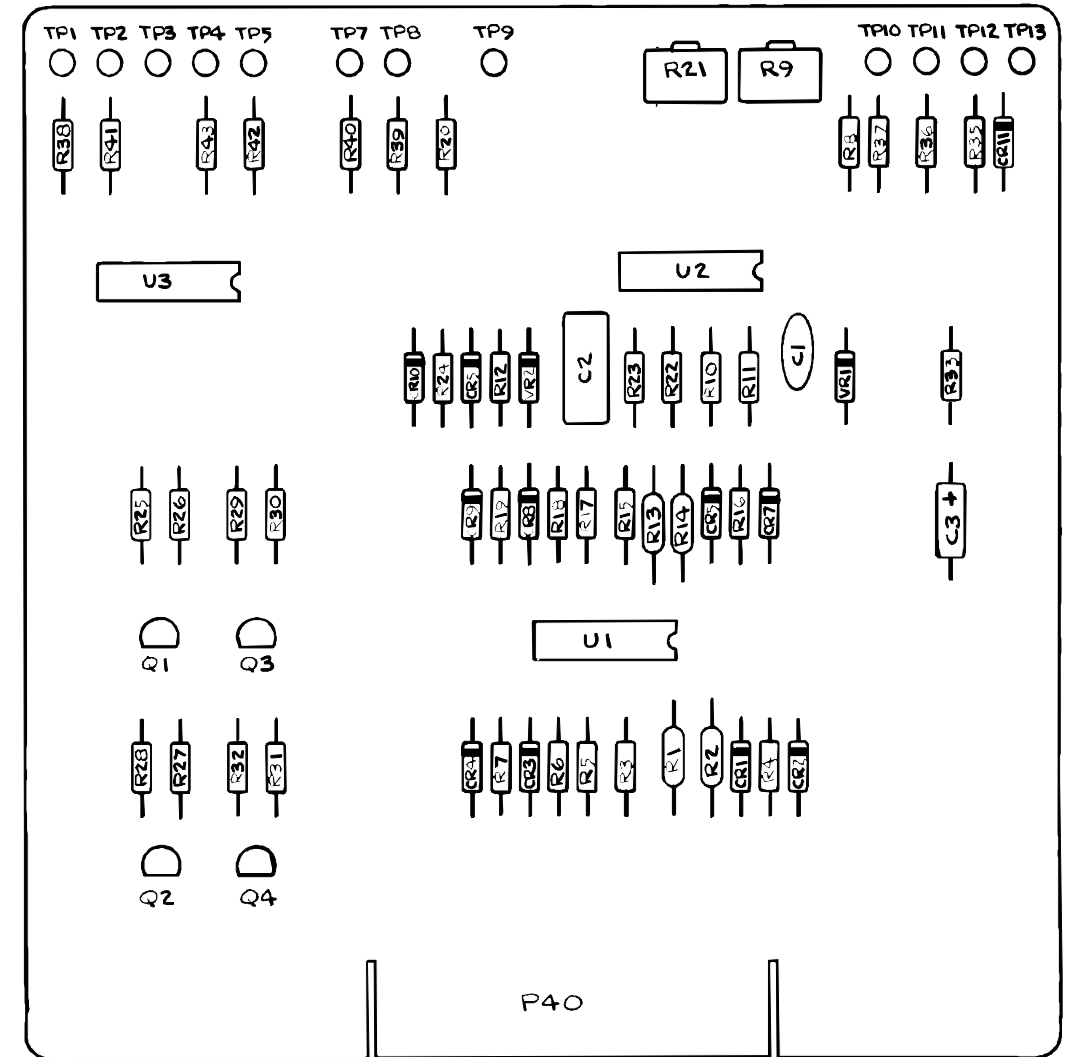
- NOTES: UNLESS OTHERWISE SPECIFIED
1. RESISTORS ARE 1/4W, DC, 5%
  2. RESISTOR VALUES ARE IN OHMS
  3. CAPACITOR VALUES ARE IN MICROFARADS

- ⑤ J20 PINS 9,29 & 10,30 CONNECT TO J60 PINS 25 & 8
- ⑥ CONNECTS TO COMMON 2
- ⑦ CONNECTS TO J40-1B & 3B



5220A-1030

Figure 7-5. A6 Driver and A7 Output PCB Assemblies (cont.)



5220A-1640

Figure 7-6. A8 Analog Control PCB Assembly

ajs571.wmf

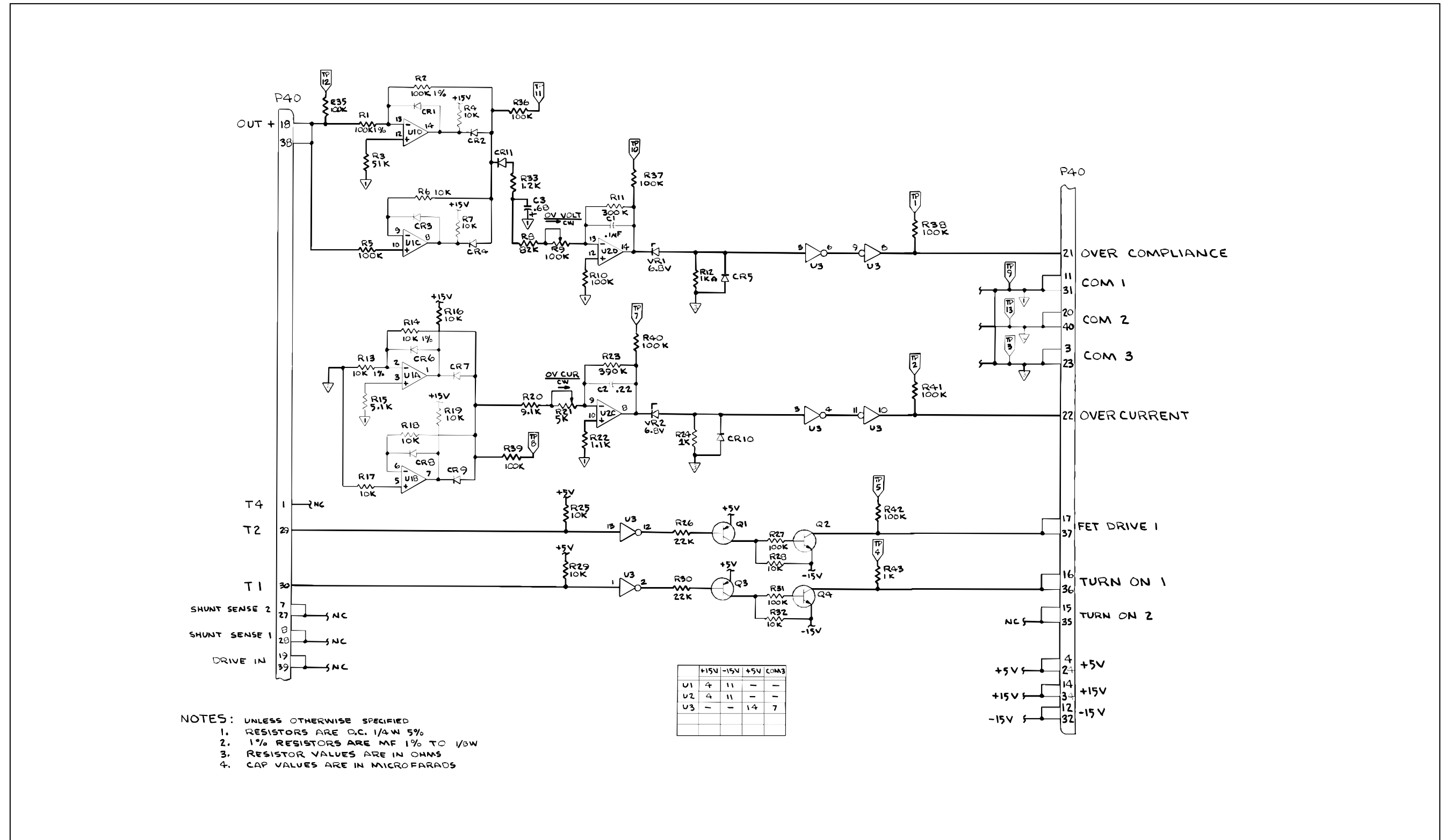
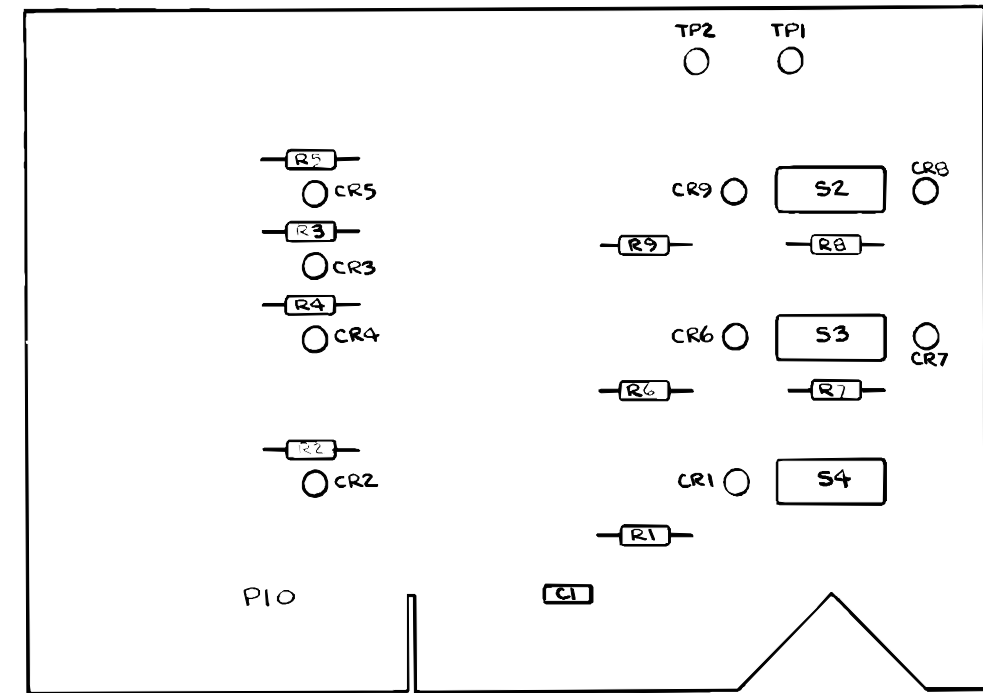


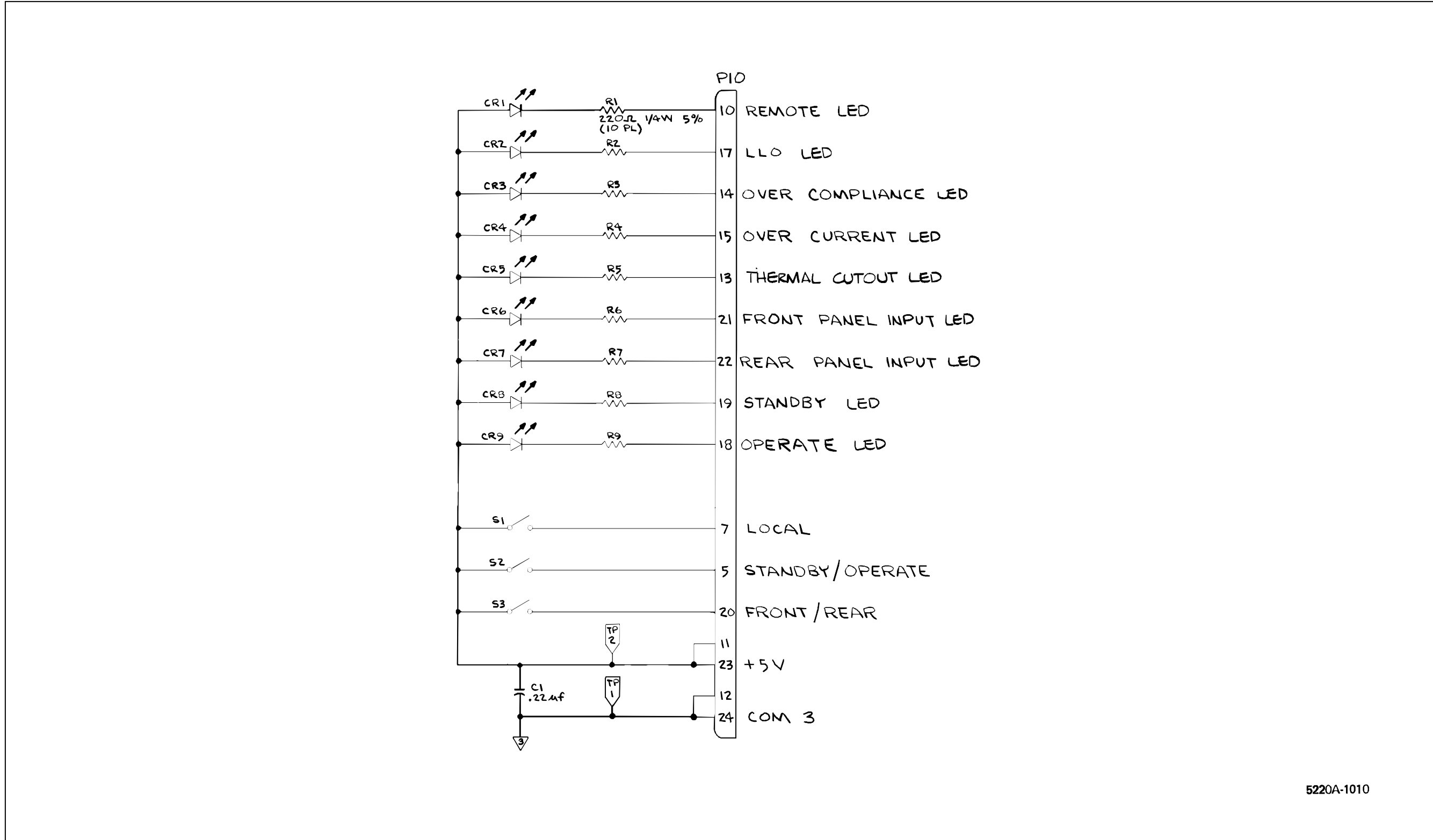
Figure 7-6. A8 Analog Control PCB Assembly (cont.)



5220A-1610

Figure 7-7. A9 Front Panel PCB Assembly

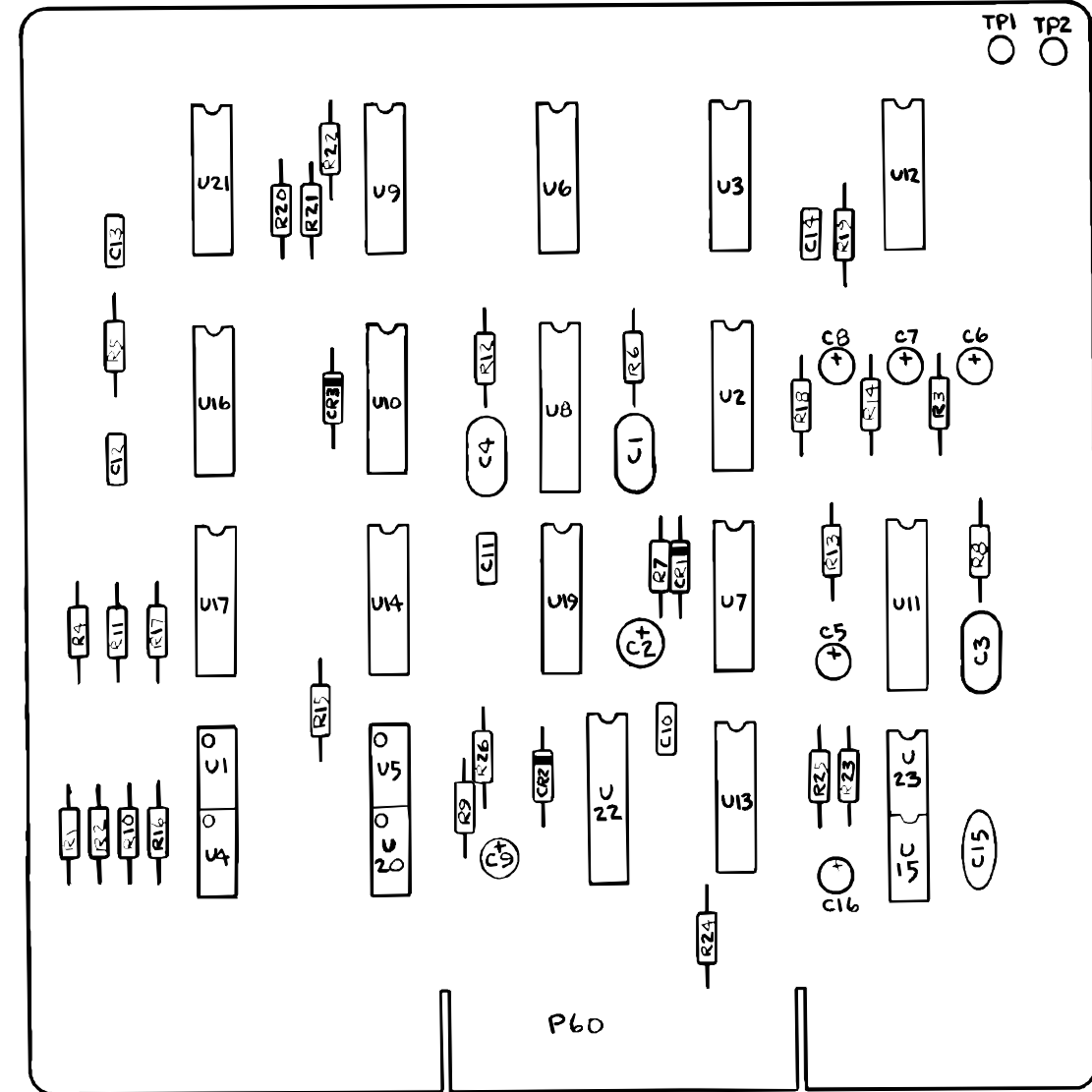
ajs59f.wmf



5220A-1010

ajs60f.wmf

Figure 7-7. A9 Front Panel PCB Assembly (cont.)



5220A-1660

ajs61f.wmf

Figure 7-8. A10 Logic PCB Assembly

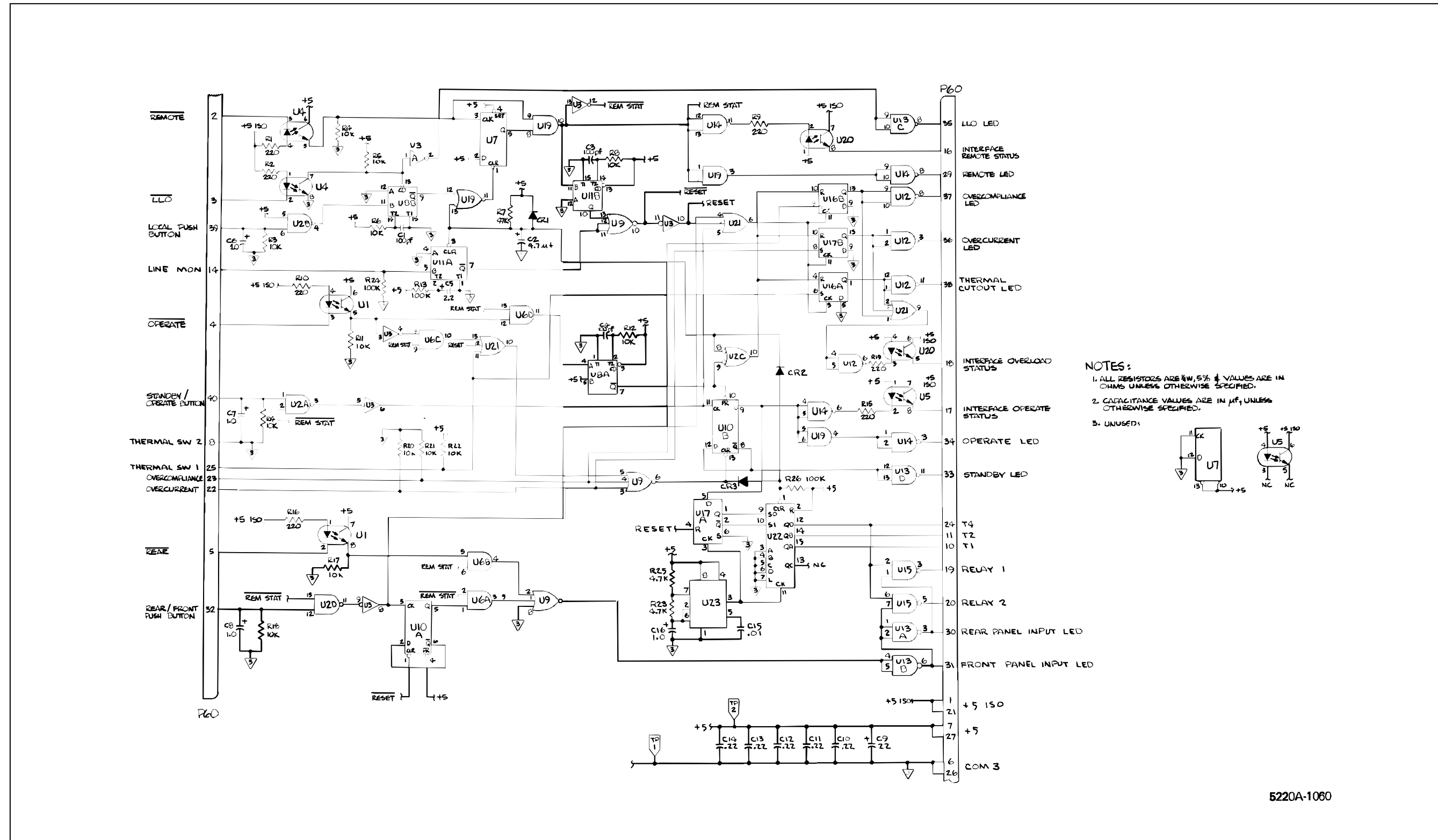
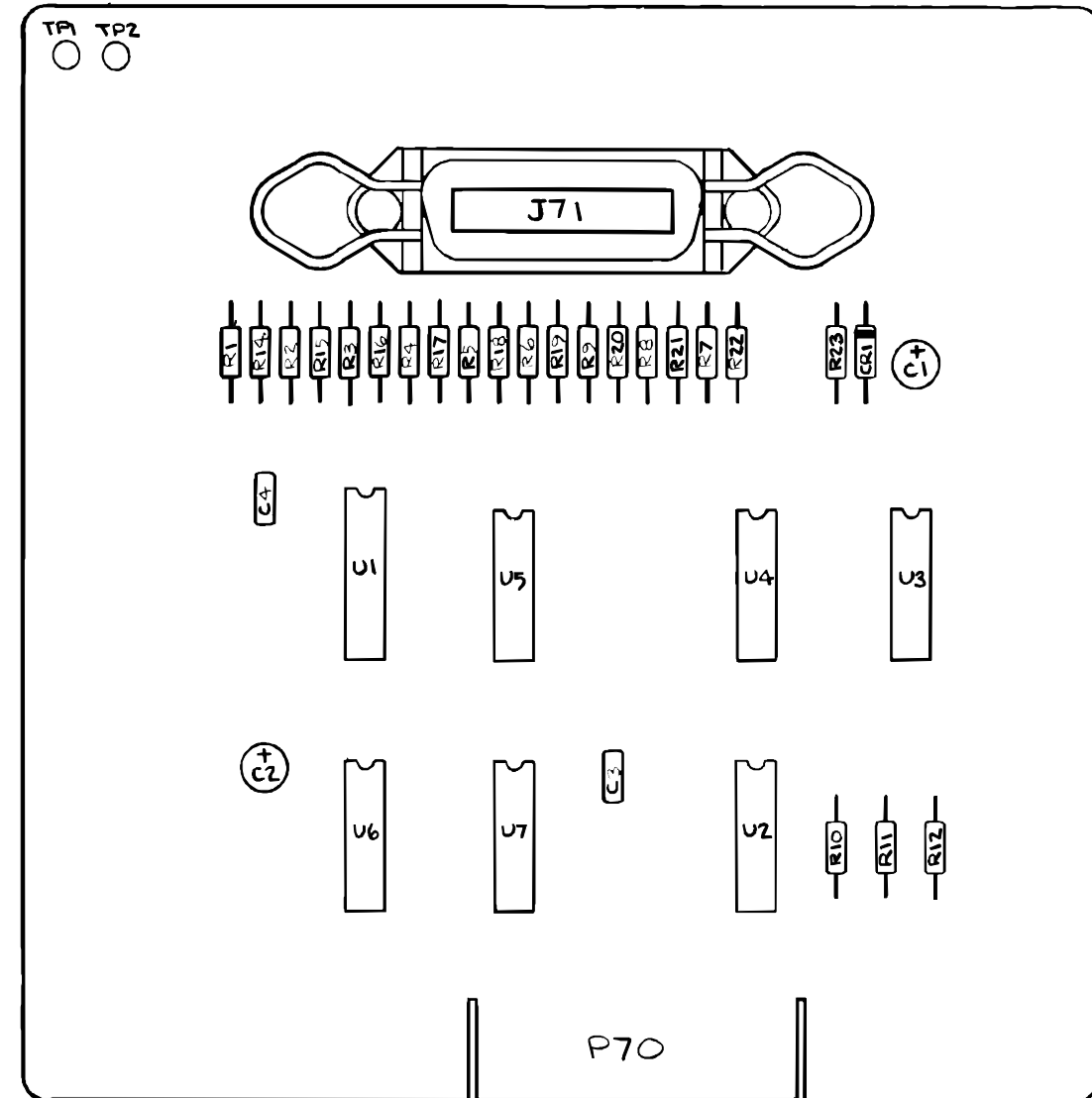


Figure 7-8. A10 Logic PCB Assembly (cont.)

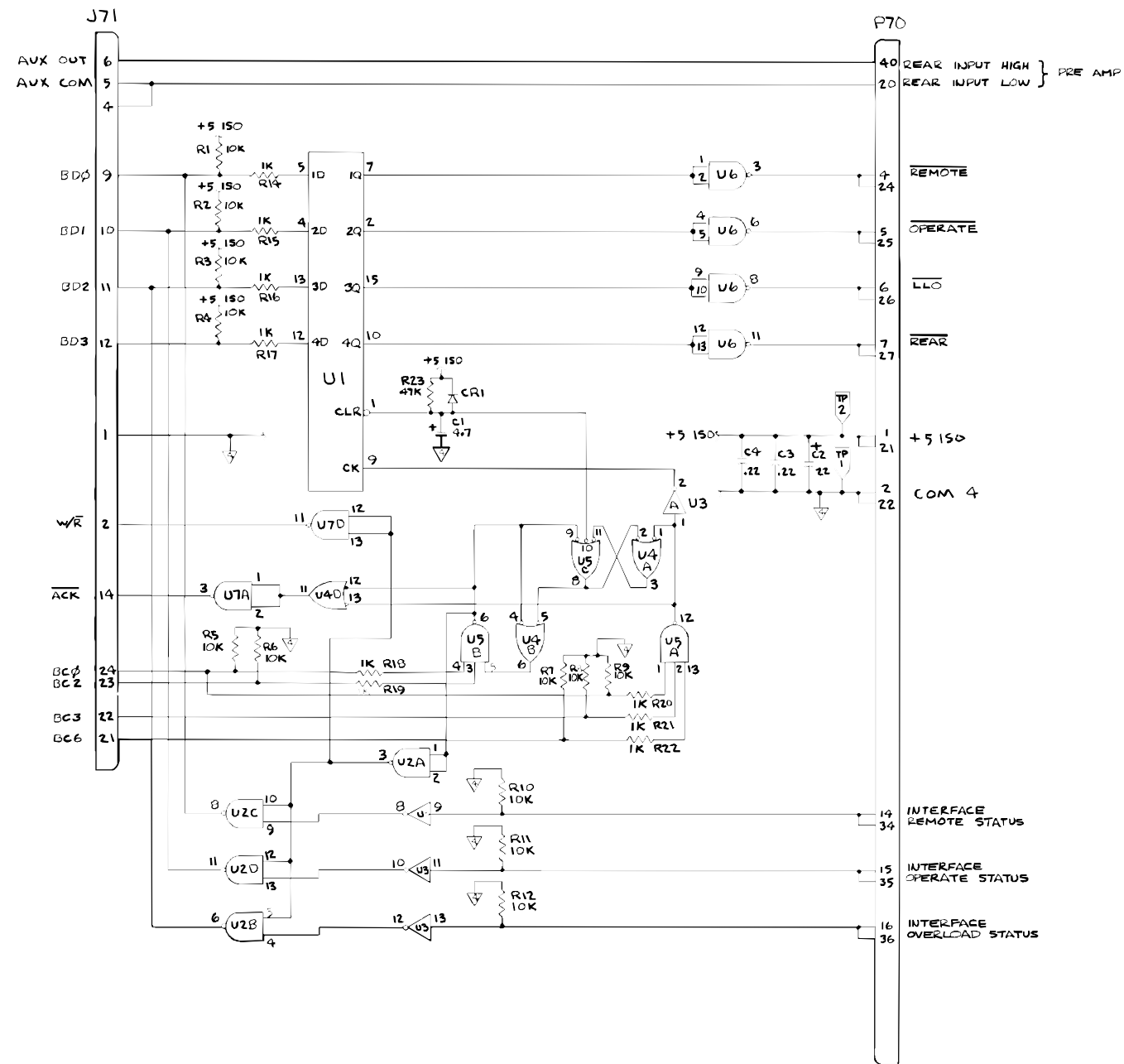


5220A-1670

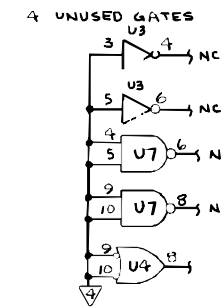
Figure 7-9. A11 MIS Bus Interface PCB Assembly

ajs63f.wmf





NOTES: UNLESS OTHERWISE SPECIFIED  
 1. ALL RESISTORS 1/4W 5%  
 2. ALL RESISTOR VALUES IN OHMS  
 3. ALL CAPACITOR VALUES IN MICROFARADS



5220A-1070

ajs64f.wmf

Figure 7-9. A11 MIS Bus Interface PCB Assembly (cont.)

